

Product data sheet

Specifications



Advanced touchscreen panel, Harmony GTU, 12 W Touch Display WXGA, coated display

HMIDT651FC

Product availability : Stock - Normally stocked in distribution facility

Price* : 3,096.00 USD

Main

Range of Product	Harmony GTU
Product or Component Type	Advanced touchscreen panel
Terminal type	Touchscreen display
Supply voltage limits	10.8...28.8 V
Power Consumption in W	11.5 W
Inrush current	30 A

Complementary

Touchscreen resolution	1024 x 1024
Pixel resolution	1280 x 800
Display size	12.1 inch
Aspect ratio	4:3
Display type	Colour TFT LCD
Display Resolution	1280 x 800 pixels WVGA
Display colour	262144 colors
Backlight lifespan	50000 hours
Touch panel	Single touch analogue resistive
Provided equipment	1 flash card
Type of Installation	Indoor installation
Cut-out dimensions	295 (+ 1/- 0) x 217 (+ 1/- 0) mm
Width	12.15 in (308.5 mm)
Height	9.07 in (230.5 mm)
Depth	2.64 in (67 mm)
Product Weight	6.61 lb(US) (3 kg)

Environment

IP degree of protection	Front panel IP66
NEMA degree of protection	NEMA 4X front panel

* Price is "List Price" and may be subject to a trade discount – check with your local distributor or retailer for actual price.

Standards	UL 508
Ambient air temperature for storage	-4...140 °F (-20...60 °C)
Relative Humidity	10...90 % non-condensing
Operating altitude	6561.68 ft (2000 m)
Vibration resistance	3.5 mm constant amplitude 5...9 Hz) EN/IEC 61131-2
Electromagnetic compatibility	Electrostatic discharge immunity testlevel 3 EN/IEC 61000-4-2

Ordering and shipping details

Category	22567-MAGELIS HMI GTU
Discount Schedule	MC2
GTIN	3606480841675
Nbr. of units in pkg.	1
Package weight(Lbs)	9.41 lb(US) (4.27 kg)
Returnability	No
Country of origin	CN

Packing Units

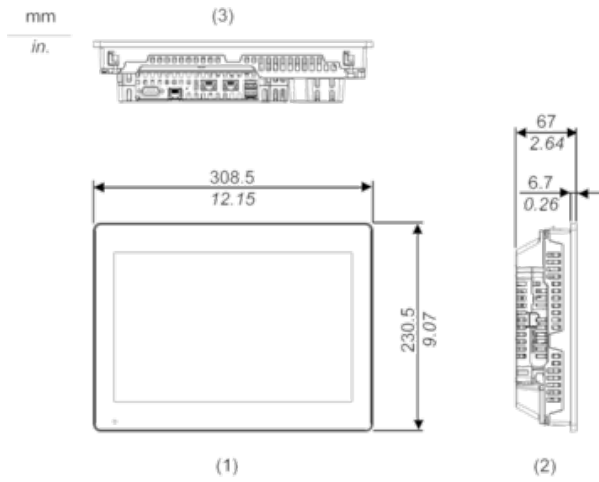
Unit Type of Package 1	PCE
Package 1 Height	7.48 in (19 cm)
Package 1 width	12.99 in (33 cm)
Package 1 Length	16.93 in (43 cm)
Unit Type of Package 2	CAR
Number of Units in Package 2	2
Package 2 Weight	20.86 lb(US) (9.461 kg)
Package 2 Height	16.93 in (43 cm)
Package 2 width	13.98 in (35.5 cm)
Package 2 Length	17.91 in (45.5 cm)

Offer Sustainability

California proposition 65	WARNING: This product can expose you to chemicals including: Lead and lead compounds, which is known to the State of California to cause cancer and birth defects or other reproductive harm. For more information go to www.P65Warnings.ca.gov
REACH Regulation	REACH Declaration
REACH free of SVHC	Yes
EU RoHS Directive	Pro-active compliance (Product out of EU RoHS legal scope) EU RoHS Declaration
Mercury free	Yes
RoHS exemption information	Yes
China RoHS Regulation	China RoHS declaration

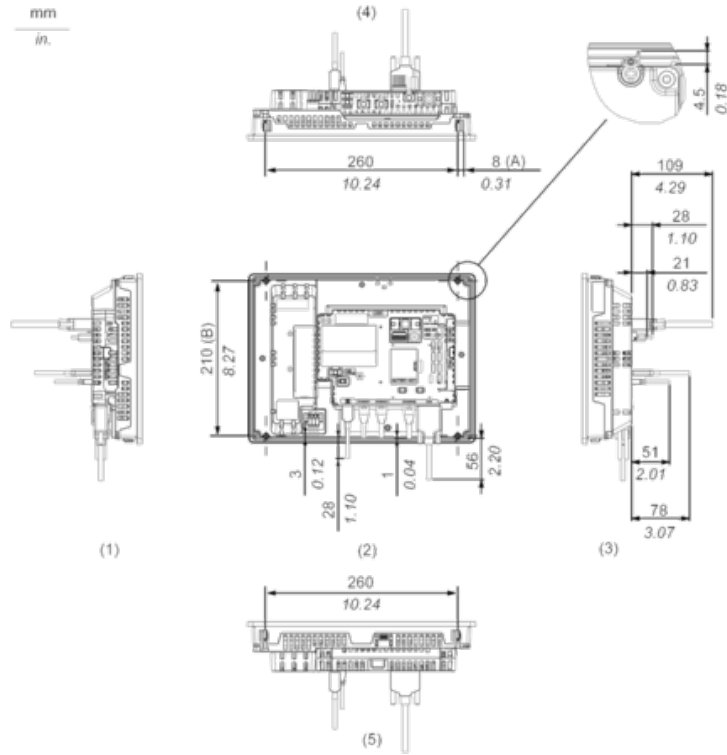
External Dimensions

Display Unit with Box Module



- 1 Front
- 2 Left
- 3 Bottom

Installation with Installation Fasteners and Dimensions with Cables

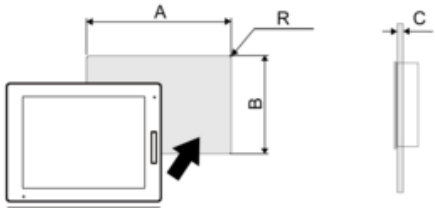


- (A) Rotation area of the fastener
- (B) Pitch of the center of installation fastner screws

- 1 Right
- 2 Front
- 3 Left
- 4 Bottom
- 5 Top

Mounting

Panel Cut Dimensions



Dimensions in mm

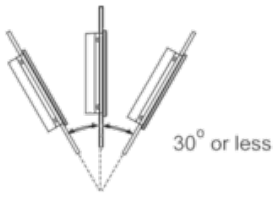
A	B	C	R
295 (+1/-0)	217 (+1/-0)	1.6...5	3 max.

Dimensions in in.

A	B	C	R
11.61 (+0.04/-0)	8.54 (+0.04/-0)	0.06...0.2	0.12 max.

Installation Requirements

Mounting Angle



When installing this product in a slanted position with an incline more than 30°, the ambient temperature must not exceed 40 °C (104 °F). You may need to use forced air cooling (fan, A/C) to ensure the ambient operating temperature is 40 °C or less (104 °F or less).

Clearance

