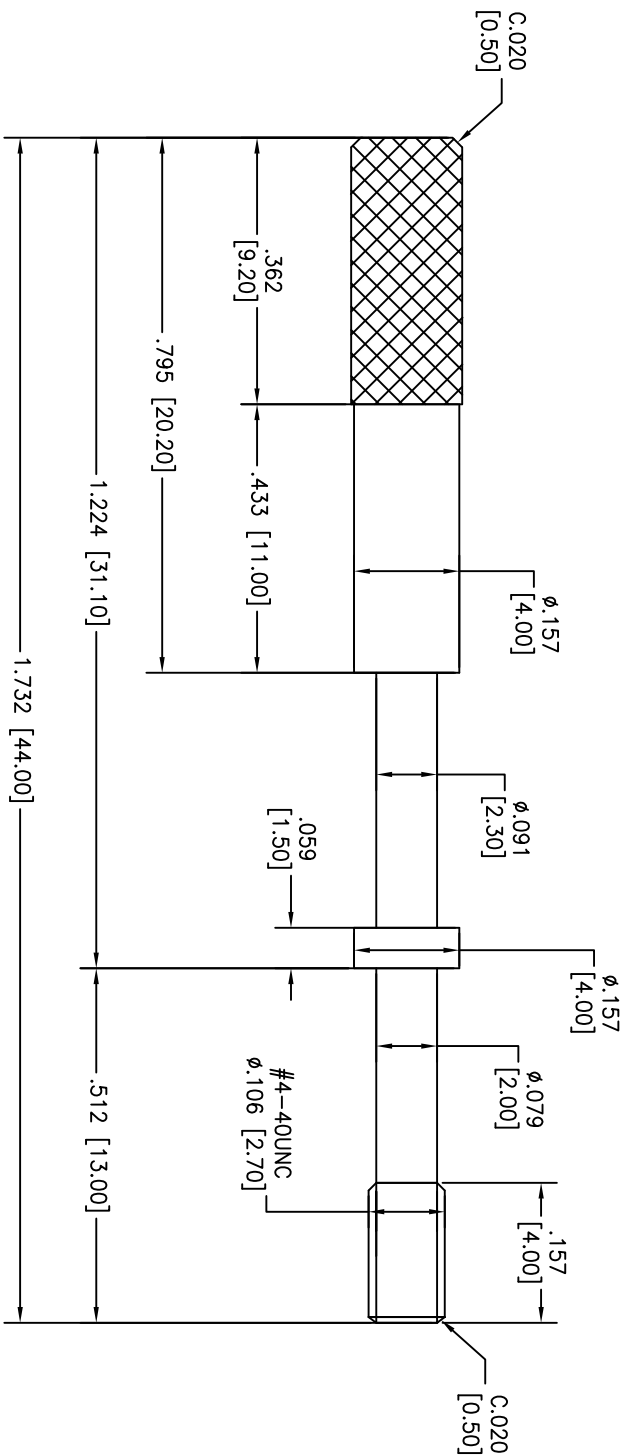


Rev	AWO #	Description	Date	Appr
-		RELEASED	5/30/11	

APPROVED: _____
 DATE: _____ TITLE: _____



ADAM TECH

909 Ratway Avenue, Union, NJ 07083
 Phone: 908-687-5000 Fax: 908-687-5710

THUMB SCREW

UNLESS OTHERWISE SPECIFIED
 ALL DIMENSIONS ARE INCHES [MM]
 TOLERANCES: EXCEPT AS NOTED
 INCHES
 .X ± .10 Ø.X ± .10
 .XX ± .020 Ø.XXX ± .015
 .XXX ± .015 Ø.XXXX ± .010

SPECIFICATIONS:
 Material:
 Body: Steel
 Plating: Nickel
 Environmental:
 Lead free, RoHS compliant.



APPROVALS	DATE
DRAWN	DY
CHECKED	
APPROVED	

REF: S00084T	SCALE: NTS	SHEET 1 OF 1
SIZE PART NO. X	TS-028	REV. -