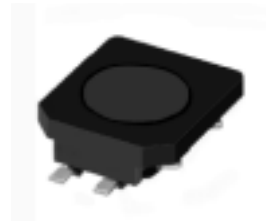
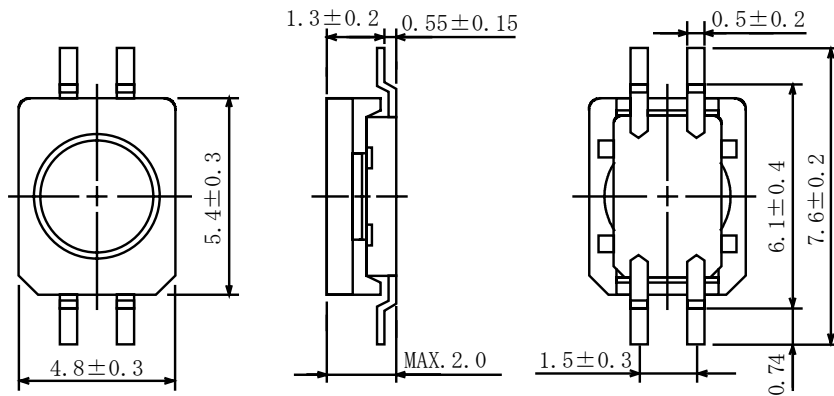
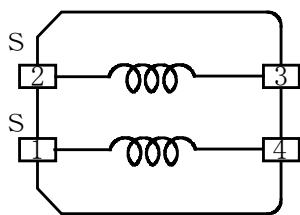


**Type: CLQ61C**
**◆ Product Description**

- 5.7×5.1mm Max.(L×W), 2.0mm Max.(Height)
- In addition to the typical versions of parameters shown here, custom designs are available to meet your exact requirements


**◆ Feature**

- Magnetically shielded construction.
- Max. Operating frequency 1MHz.  
Max Operating Power 730mW (1MHz), 430mW(500kHz), 280mW(300kHz)
- Ideally used in LCD with hybrid IC driver DC/DC converter transformer.
- RoHS Compliance

**◆ Dimensions (mm)**

**◆ Schematics (Bottom)**


"S" indicates winding start.

**◆ Land Pattern (mm)**

**◆ Specification**

Sample No.	Inductance (1,2-3,4) (100kHz/1.0V)	D.C.R. (1,2-3,4)	Rated current (1,2-3,4)
6398-T028	$10 \mu\text{H} \pm 30\%$ within	$210\text{m}\Omega$ Max.	0.72A