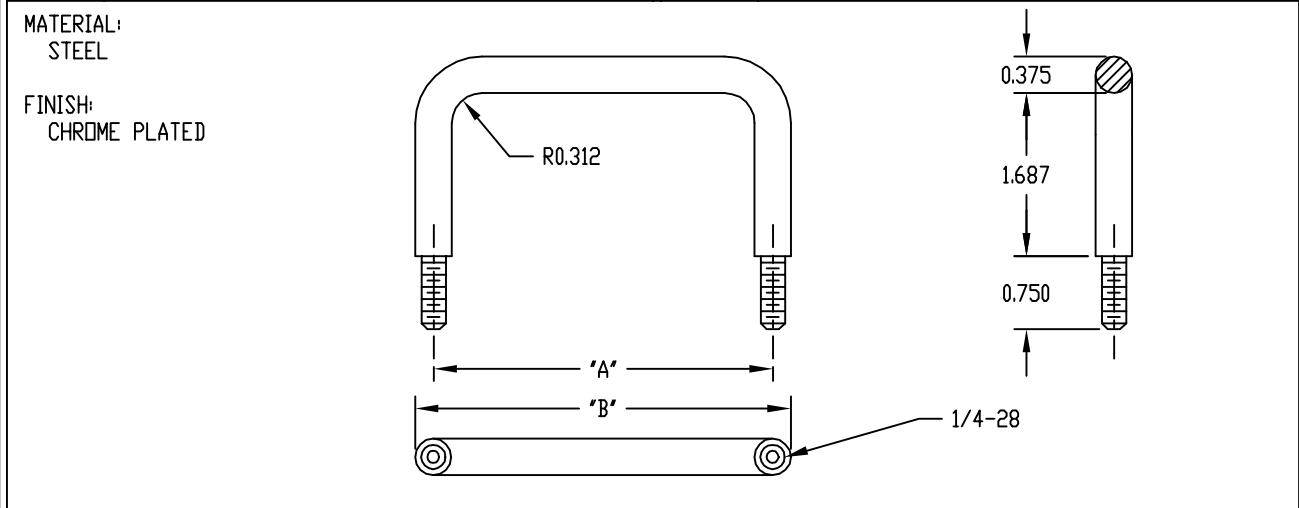
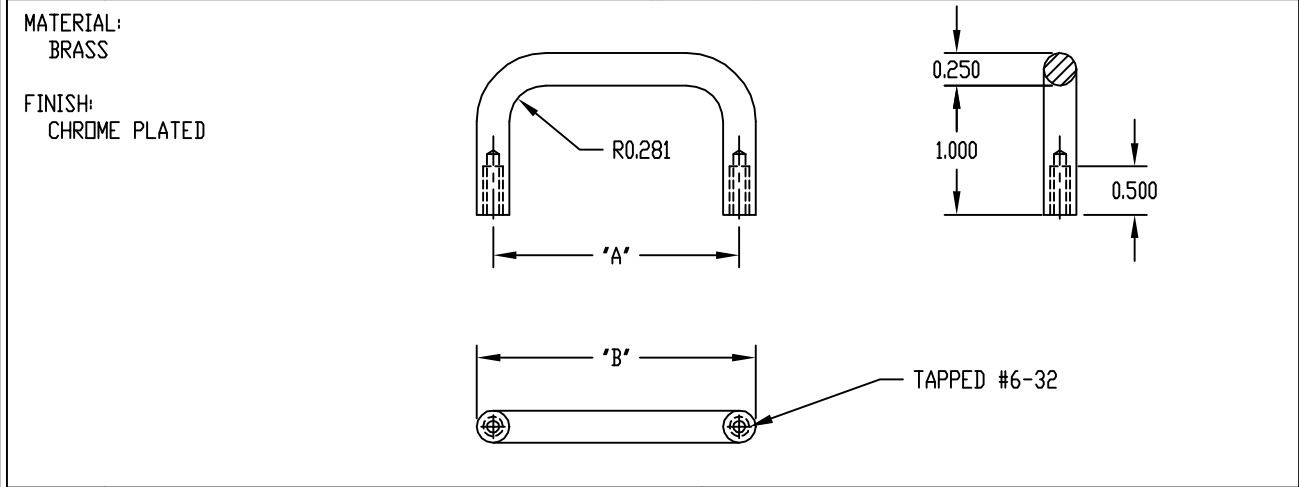


PART NAME	HANDLE	PART No.	H-9160 THRU H-9165
-----------	--------	----------	--------------------



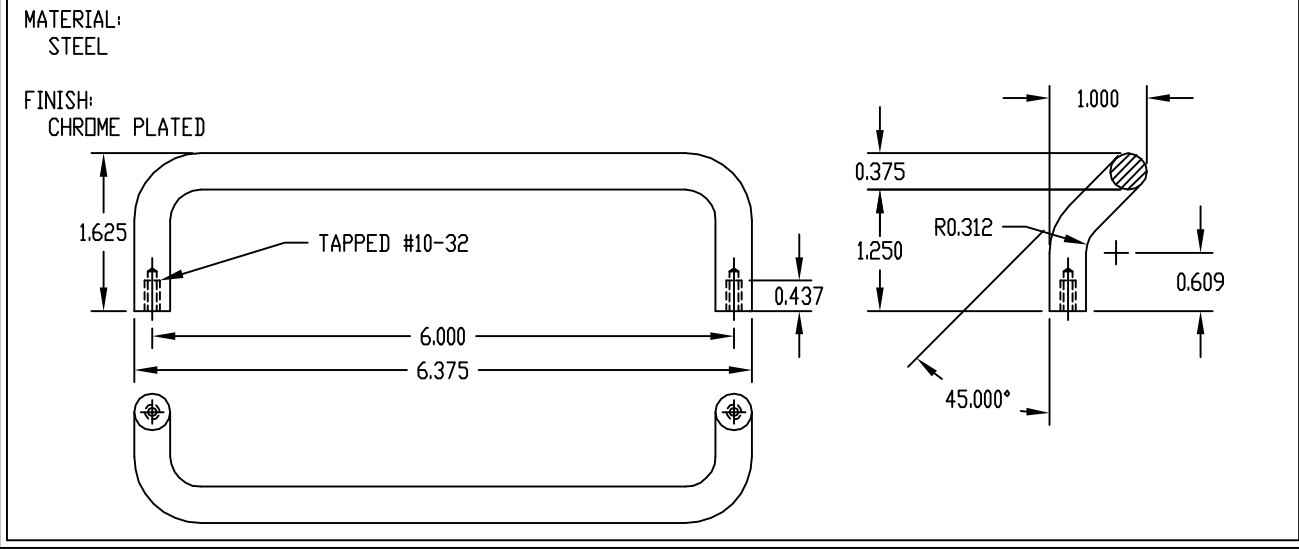
PART No.	'A'	'B'
H-9160	3.500	3.875
H-9161	5.250	5.625
H-9162	7.000	7.375
H-9163	8.750	9.125
H-9164	10.500	10.875
H-9165	12.250	12.625

PART NAME	HANDLE	PART No.	H-9166 AND H-9168
-----------	--------	----------	-------------------



PART No.	'A'	'B'
H-9166	1.906	2.156
H-9168	3.000	3.250

PART NAME	HANDLE	PART No.	H-9110
-----------	--------	----------	--------



# Mouser Electronics

Authorized Distributor

Click to View Pricing, Inventory, Delivery & Lifecycle Information:

[Bud Industries:](#)

[H-9168-B](#) [H-9110-B](#) [H-9161-B](#) [H-9160-B](#) [H-9166-B](#)