

NOTES:

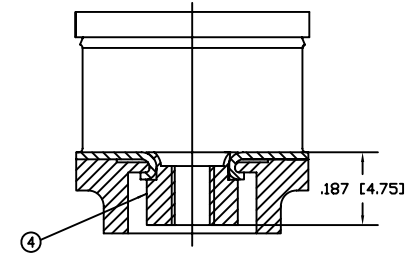
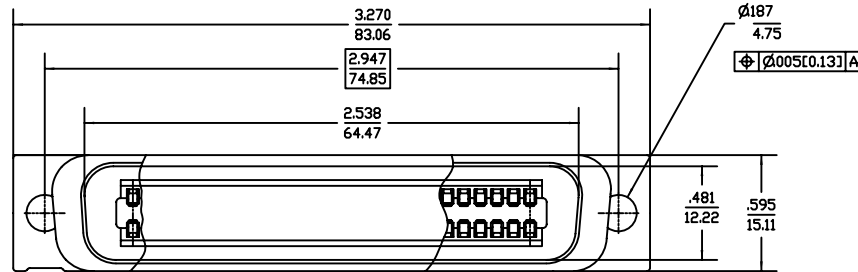
- 1 SEE DRAWING 27367 FOR PLATED THRU HOLE SPECIFICATIONS.
- 2 CATALOG No., 4 DIGIT DATE CODE AND MANUFACTURING LOCATION LOCATED APPROXIMATELY AS SHOWN.
- 3 COVER TO BE USED FOR ONE CONNECTOR INSERTION ONLY.
- 4 Δ = CONTACT PLATING CODE
SEE CHART FOR CODE AND DESCRIPTION.

REV	DESCRIPTION	BY DATE	APPD
C	ER15080	PSH 04/30/09	V.B.H.

SPECIFICATIONS

MATERIALS

- ① Insulator:
Polyester Thermoplastic, Glass Filled
Color: Black
- ② Contact:
Copper Nickel Alloy No. 725
Finish: Mating Zone: SEE CHART
- ③ Shield:
Cold Rolled Steel
Finish: Pure Tin
- ④ Insert, Flush #4-40 Thd.
Carbon Steel
Finish: Pure Tin
- ⑤ Insertion and Dust Cover
Polycarbonate Thermoplastic
Color: Blue



SCALE: 2:1

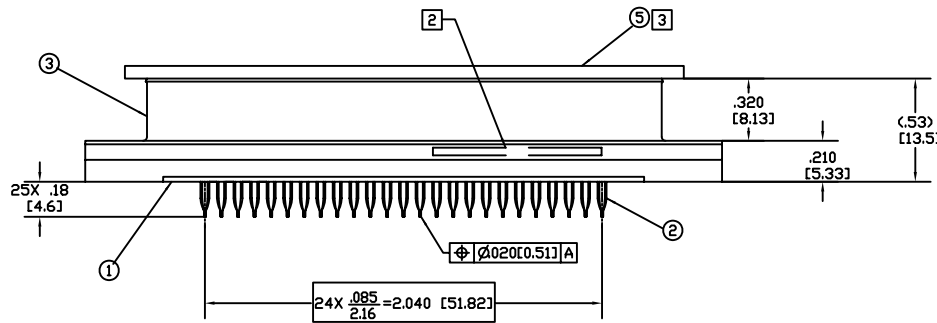
CATALOG No. 1841250P1Δ5556 ④
INSERT OPTION SHOWN

PERFORMANCE CHARACTERISTICS

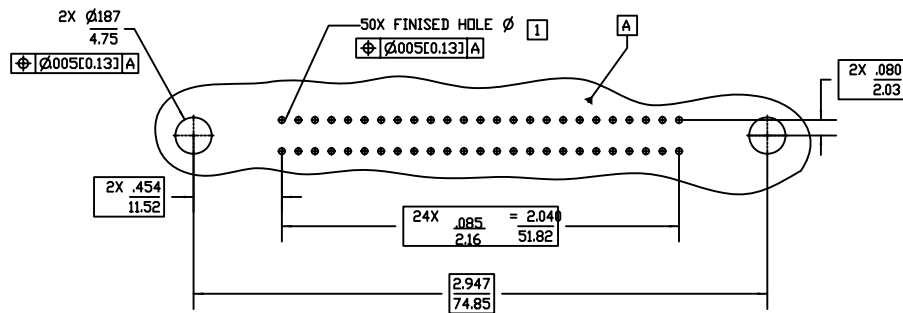
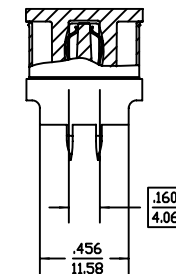
Insulation resistance: 5,000 megohms minimum
 Current rating: 1 amp @ 70°C
 1.5 amp @ 20°C
 Operating temperature range: -55°C to +125°C
 Contact resistance: 2 milliohms maximum

Compliant Contact

Max. Insertion Force (per contact) - 40 lbs. / 179 N maximum
 Min. Retention Force (per contact) - 7 lbs. / 31 N minimum



CATALOG No. 1841250P0Δ5556 SHOWN ④



① RECOMMENDED PC BOARD REQUIREMENTS
(COMPONENT SIDE OF BOARD SHOWN)

Δ	COMPLIANT ZONE	DESCRIPTION
D	TIN LEAD OVER NICKEL	ROHS WITH C-PRESS EXEMPTION
H	PURE TIN OVER NICKEL	ROHS WITHOUT EXEMPTION

PER ASME Y14.5M-1994
 UNLESS OTHERWISE SPECIFIED:
 DIMENSIONS ARE IN INCHES OR INCHES/MM
 TOLERANCES:
 DECIMALS .XX/.XX ± .02/0.5
 .XXX/.XX ± .005/0.13
 ANGLES ± X° SCALE: 1:1



CUSTOMER DRAWING

TITLE
 PLUG C-TEL, SHIELD
 .085 X .160 GRID
 "C"PRESS CONNECTOR" (RoHS)

DRAWN	DATE	APPROVED	DATE
C.W.B.	01/22/07	W.P.M.	02/20/07
APPROVED	DATE	APPROVED	DATE
V.B.H.	02/16/07		

A	27419	SHT. 1 OF 1	REV. C
---	-------	-------------	--------