

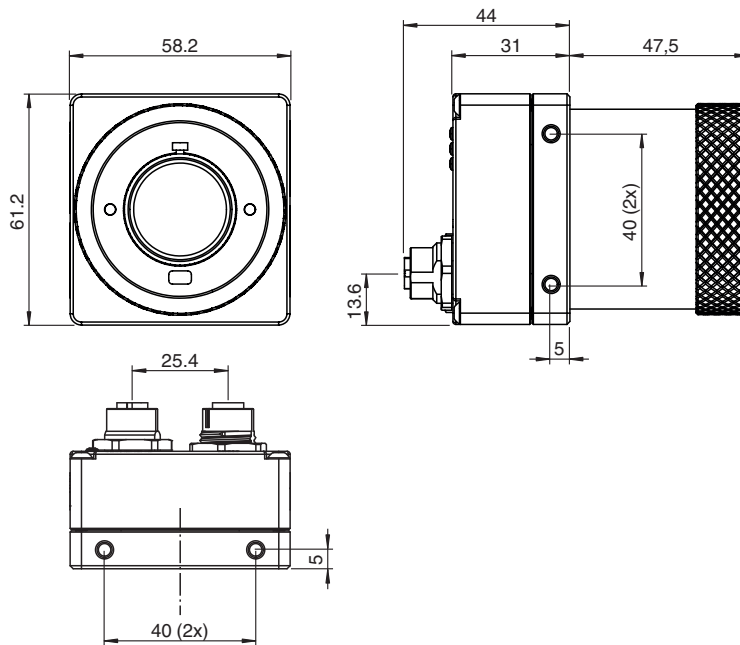
## Vision Sensor VOS2000-F226-C-S

- Wide range of detection tools for flexible inspection tasks
- Offline parameterization
- 32 Jobs on-board can be saved
- Job administration
- Exchangeable lens (C-Mount)
- Mechanical focus adjustment

Vision sensor for complex object recognition with 32 job storage memory locations



### Dimensions



### Technical Data

#### General specifications

Light source	External lighting
Light type	Red light
Picture detail	dependant of operating distance
Trigger mode	Free-running or triggered externally
Depth of focus	± 5 % of the operating distance
Resolution	1280 x 960 pixels

#### Parameterization/software

Parameter assignment	Parameterization via PC user interface VCT Tool
Evaluation procedure	
Positioning and Guidance	Based on Parts or product marks, up to four Locators to detect X,Y shift and rotation

Release date: 2021-01-11 Date of issue: 2021-01-11 Filename: 70114982\_eng.pdf

Refer to "General Notes Relating to Pepperl+Fuchs Product Information".

Pepperl+Fuchs Group  
www.pepperl-fuchs.com

USA: +1 330 486 0001  
fa-info@us.pepperl-fuchs.com

Germany: +49 621 776 1111  
fa-info@de.pepperl-fuchs.com

Singapore: +65 6779 9091  
fa-info@sg.pepperl-fuchs.com

 **PEPPERL+FUCHS**

## Technical Data

Identification and Verification	OCR, 1-D and 2-D barcodes	
Detection & Pattern Matching	Pixel-, contour- or edge count	
Measuring	Distance, angle, circle size (after calibration)	
<b>Indicators/operating means</b>		
Operation indicator	LED blue	
Function indicator	LED fault signal , LED yellow: switching state (2x) : Position OK/features OK	
Focus setting	Focus adjustable via centering	
<b>Electrical specifications</b>		
Operating voltage	U <sub>B</sub>	12 ... 30 V DC
<b>Interface</b>		
Interface type	Ethernet 100 Mbit/s , RS 232 , PROFINET , Ethernet TCP/IP , EtherNet/IP , MODBUS	
<b>Input</b>		
Input voltage	24 V	
Control input	Trigger + 2 general purpose inputs 2 inputs can be used for hardware solution switching	
Switching threshold	ON > 10 V DC OFF < 2 V DC	
<b>Output</b>		
Output type	2 outputs + external light strobe	
Switching voltage	24 V	
Switching current	max. 100 mA each output	
<b>Standard conformity</b>		
Emitted interference	EN 61000-6-4:2007+A1:2011	
Noise immunity	EN 61000-6-2:2005	
<b>Approvals and certificates</b>		
Approvals	CE	
<b>Ambient conditions</b>		
Ambient temperature	0 ... 50 °C (32 ... 122 °F)	
Storage temperature	-20 ... 60 °C (-4 ... 140 °F)	
<b>Mechanical specifications</b>		
Housing length	61 mm	
Housing width	58 mm	
Housing height	57 mm	
Housing depth		
Housing diameter		
Degree of protection	IP67	
Connection	8-pin M12 socket A-coded ; 12-pin M12 socket	
Material		
Housing	anodized aluminum , plastic	
Optical face	Plastic pane	
Installation	Mounting bracket	
Mass	approx. 200 g	

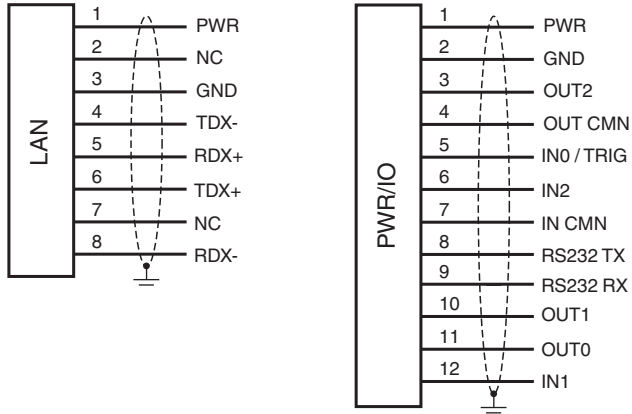
Release date: 2021-01-11 Date of issue: 2021-01-11 Filename: 70114982\_eng.pdf

Refer to "General Notes Relating to Pepperl+Fuchs Product Information".

Pepperl+Fuchs Group  
www.pepperl-fuchs.comUSA: +1 330 486 0001  
fa-info@us.pepperl-fuchs.comGermany: +49 621 776 1111  
fa-info@de.pepperl-fuchs.comSingapore: +65 6779 9091  
fa-info@sg.pepperl-fuchs.com

**PEPPERL+FUCHS**

**Connection Assignment**



Release date: 2021-01-11 Date of issue: 2021-01-11 Filename: 70114982\_eng.pdf

Refer to "General Notes Relating to Pepperl+Fuchs Product Information".

Pepperl+Fuchs Group  
www.pepperl-fuchs.com

USA: +1 330 486 0001  
fa-info@us.pepperl-fuchs.com

Germany: +49 621 776 1111  
fa-info@de.pepperl-fuchs.com

Singapore: +65 6779 9091  
fa-info@sg.pepperl-fuchs.com