



### COMMON MODE CHOKE SURFACE MOUNT

### P/N: BCM-5855 DATA SHEET

#### Feature



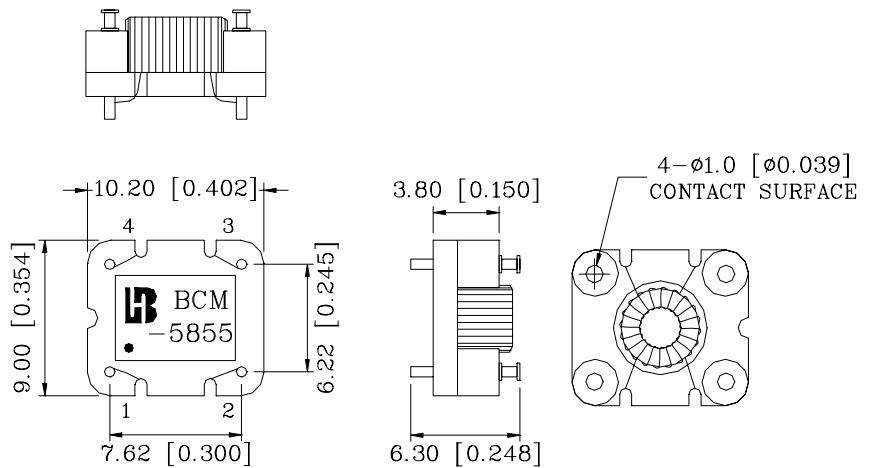
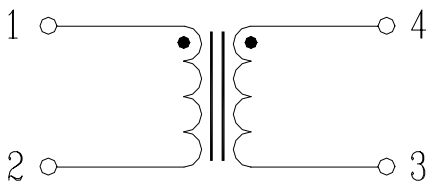
- For use in XDSL interfaces.
- Effective reduction of C.M noise caused by AM broadcast or ham radio.
- Isolation 1500 Vrms Line to Line.
- Operating temperature : 0°C to 70°C.
- Storage temperature range: -25°C to +125°C.

#### Electrical Specifications@25°C

Part Number	Turns Ratio (1-2):(4-3)	OCL (mH ±30%)	DCR (Ω Max)	Common Mode Attenuation(dB Typ)			HI-POT (Vrms)
				100KHz	1MHz	10MHz	
BCM-5855	1:1	4.7	1.0	-40	-51	-38	1500

#### Schematic

#### Mechanical



Units: mm [Inches] Tolerances: xx.x0±0.25 [0.010]  
 0.x±0.05 [0.002]