

DG6L

miniature pcb power relay

DURAKOOL



- miniature - only 28.5 x 10.1 x 12.3mm
- High switching capacity 150W, 2000VA
- High sensitivity 220mW coils
- RoHS Compliant



Contacts

Contact number & arrangement	SPST-NO (1 Form A); SPDT (1 Form C)	
Contact material	Ag alloy	
Max. switching voltage	AC/DC	440VAC, 125VDC
Min. breaking capacity	W	0.5W
Rated load (resistive - $\cos \varphi=1$)	AC1	8A/250VAC
	DC1	5A/30VDC
Max. switching power	2000VA / 150W	
Initial resistance	$\leq 100\text{m}\Omega$, max. at 1A/24VDC	

Coil

Rated voltage	DC	5...60V
Must release voltage	$\geq 0.10U_n$	
Operating range of supply voltage	See coil table 1	
Rated power consumption	DC	See coil table 1 220mW & 250mW (48VDC and 60VDC)

Insulation

Insulation resistance	$\geq 100\text{M}\Omega$ at 500VDC, 50%RH	
Dielectric strength		
	coil to contact	5000Vrms, 1min (50Hz)
	contact to contact	1000Vrms, 1min (50Hz)

General Data

Operating time (typical)	mS	≤ 7
Release time (typical)	mS	≤ 3
Electrical Life	ops	1×10^5
Mechanical life	ops	1×10^7
Dimensions	L x W x H	28.5 x 10.1 x 12.3mm
Weight	$\leq 8.2\text{g}$	
Ambient temperature	storage	-40 to 85°C
	operating	-40 to 85°C
Shock resistance	Functional: 10g 11ms / Destructive: 100g	
Vibration resistance	10-500Hz 20g/5g	

DG6L

miniature pcb power relay

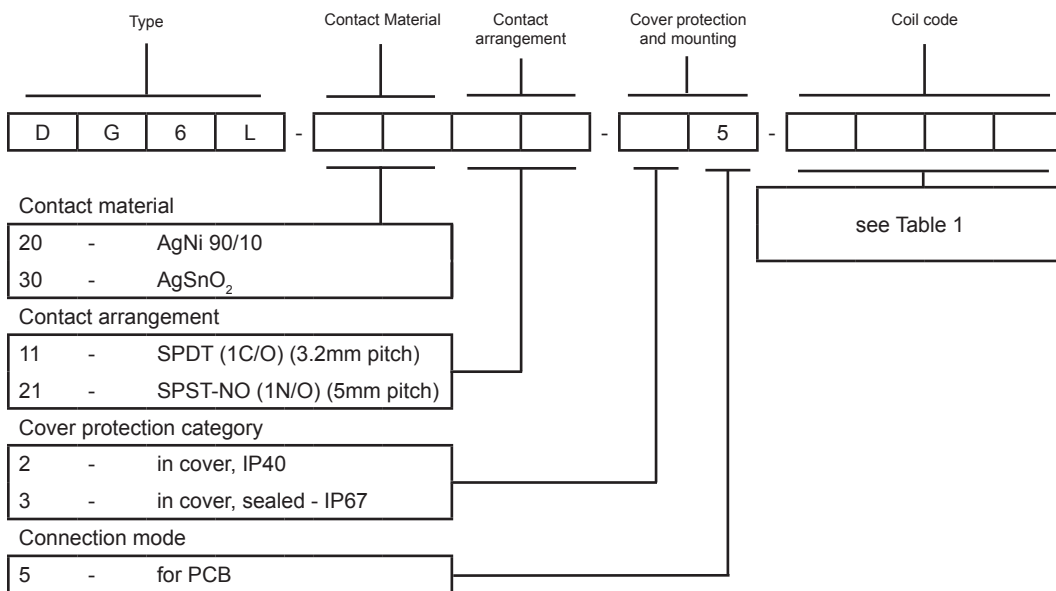


Coil Data (at 20°C)

Table 1

Coil Voltage Code	Nominal Voltage (VDC)	Coil Resistance (Ω) $\pm 10\%$	Power Consumption (mW)	Must Operate Voltage max. (VDC)	Must Release Voltage min. (VDC)	Max. Allowable Voltage (VDC)
1005	5	113	220	3.75	0.50	11.8
1006	6	164	220	4.5	0.60	14.1
1012	12	620	220	9.00	1.20	28.2
1018	18	1295	220	13.5	1.80	42.3
1024	24	2350	220	18.00	2.40	56.4
1048	48	9600	250	36.00	4.80	112.8
1060	60	12500	250	45.00	6.00	141.0

Ordering codes



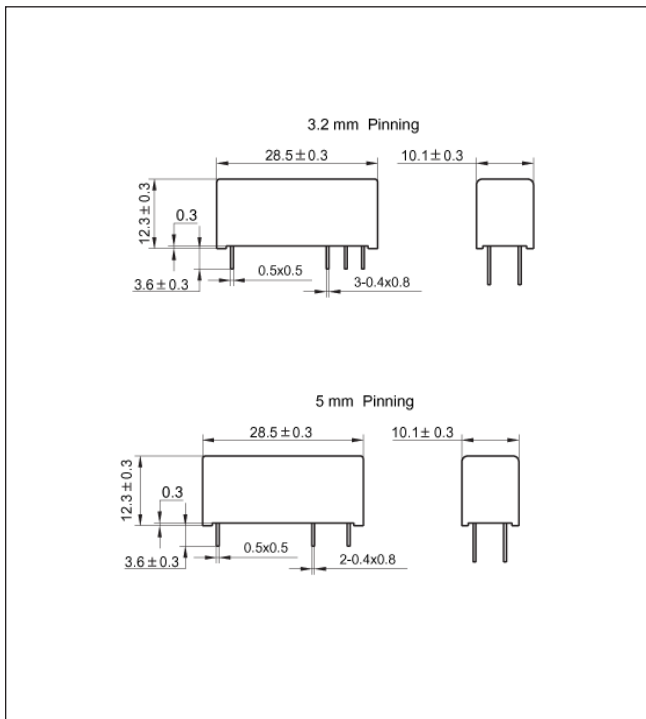
DG6L

miniature pcb power relay



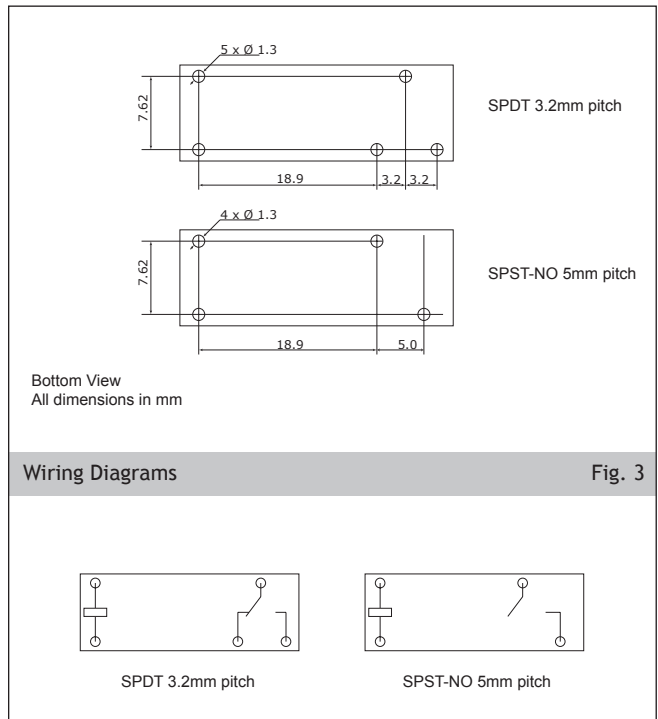
Dimensions

Fig. 1



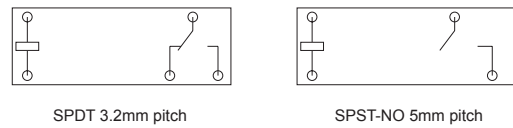
PCB Mounting Dimensions

Fig. 2



Wiring Diagrams

Fig. 3



Reference Curves

Fig. 3

