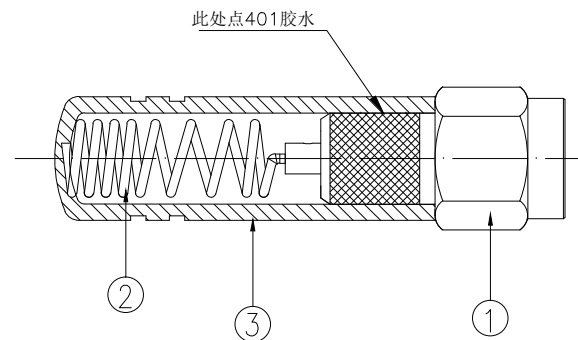
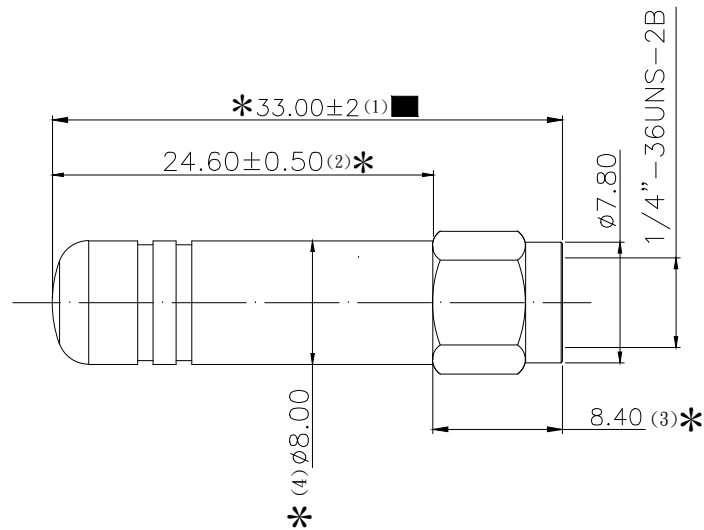


REV.	ECN NO.	LOCAS.	DESCRIPTION	DATE	DESIGN
A0			初版发行	2016.11.22	lwh
A1			统一料号	2019.05.13	Mark



SPECIFICATION:

1. NORMAL IMPEDANCE: 50Ω;
2. FREQUENCY RANGE: 900/1800MHz;
3. VSWR: ≤2.50;
4. RADIATION: OMNI-DIRECTIONAL;
5. POLARIZATION: VERTICAL;
6. 带“(xx)”尺寸为FAI,带“*”尺寸重点尺寸,带“■”尺寸为CPK尺寸;
7. 包装规范: 25PCS/小包, 100PCS/大包;

NO	P/N	ITLM	DESCRIPTION	QTY
4		胶水	401工业胶水	
3	2SBKG1100	套杆	杆套,0D:8.0*L24.5*OD:5.9mm,TPEE,黑色	1
2	2YT017	弹簧	黄铜φ0.60*φ5.05*16.65mm	1
1	2LC15PM014	SMA公座	SMA公头公针FOR ANTENNA,镀金 H8.0*L18.1*OD5.90mm.	1

COPLIANCE WITH THE REQUIEMENT RoHS HF SONY00259 OTHER
 * NO USING RESTRICTED AND BANNED SUBSTANCE

H377

DIM	TOL	DIM	TOL
X.	±0.30	X'	±4.0'
X.X	±0.20	X.X'	±3.0'
X.XX	±0.10	X.XX'	±2.0'
X.XXX	±0.05	X.XXX'	±1.0'

HJ-Tech		东莞市皇捷通讯科技有限公司	
DRAW NO.	DATE	DRAW NAME:	
DESIGN: lwh	2016.11.22	GPRS超短天线, G11黑色, 弹簧结构, SMA公头公针	
CHECK:		FILE:	P/N NO.
APPROVED:		MODEL:	HJ-GPRS-SMA
		REV. A0	SCALE N/A
		UNIT: mm	SHEET: N/A