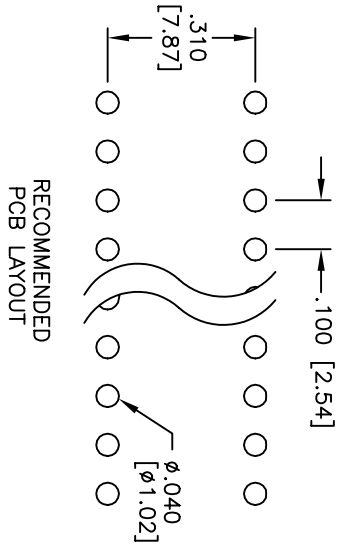
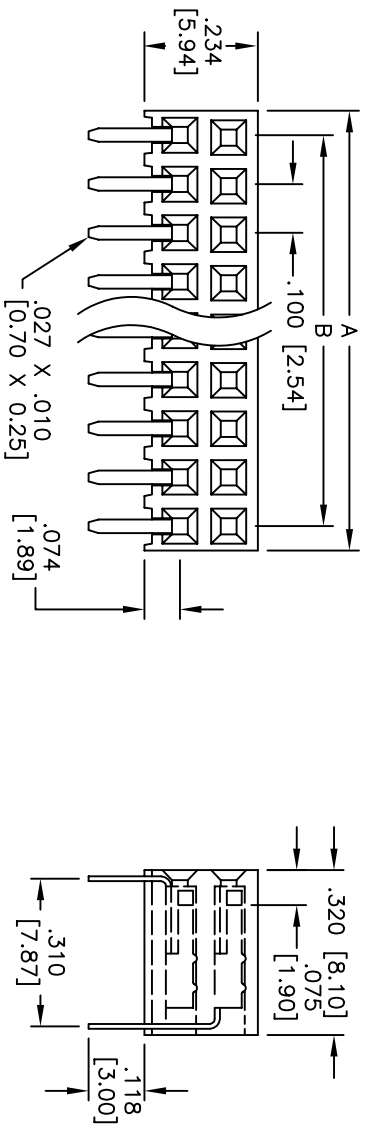


Rev	AWO #	Description	Date	Appr
-		RELEASED	11/17/04	

APPROVED: _____
 DATE: _____ TITLE: _____



A = .100 [2.54] X No. of Positions
 B = .100 [2.54] X No. of Spaces

SPECIFICATIONS:

- Material: Insulator: PBT, glass reinforced, rated UL 94V-0
- Insulator color: Black
- Contacts: Phosphor Bronze
- Plating: 5u" Gold nom. over Nickel underplate overall
- Electrical: Operating voltage: 250 VAC max
- Current rating: 3 Amps max
- Insulation resistance: 5000 Mohms min @ 500 VDC
- Dielectric withstanding voltage: 1000 VAC for 1 minute
- Temperature Rating: Operating temperature: -40°C to +105°C

UNLESS OTHERWISE SPECIFIED ALL DIMENSIONS ARE INCHES [MM]	
TOLERANCES: EXCEPT AS NOTED	
INCHES	
.X ± .10	ØXX ± .10
.XX ± .020	ØXXX ± .015
.XXX ± .015	ØXXXX ± .010
APPROVALS	DATE
DRAWN	SS
CHECKED	
APPROVED	

ADAM TECH
 909 Rahway Avenue, Union, NJ 07083
 Phone: 908-687-5000 Fax: 908-687-5710

TITLE: RECEPTACLE STRIP, 100 DUAL ROW
 SIDE ENTRY, 5u" GOLD PLATED

SIZE	PART NO.	REV.
X	RS2BR-XX-G-5	-
REF:	SCALE: NTS	SHEET 1 OF 1