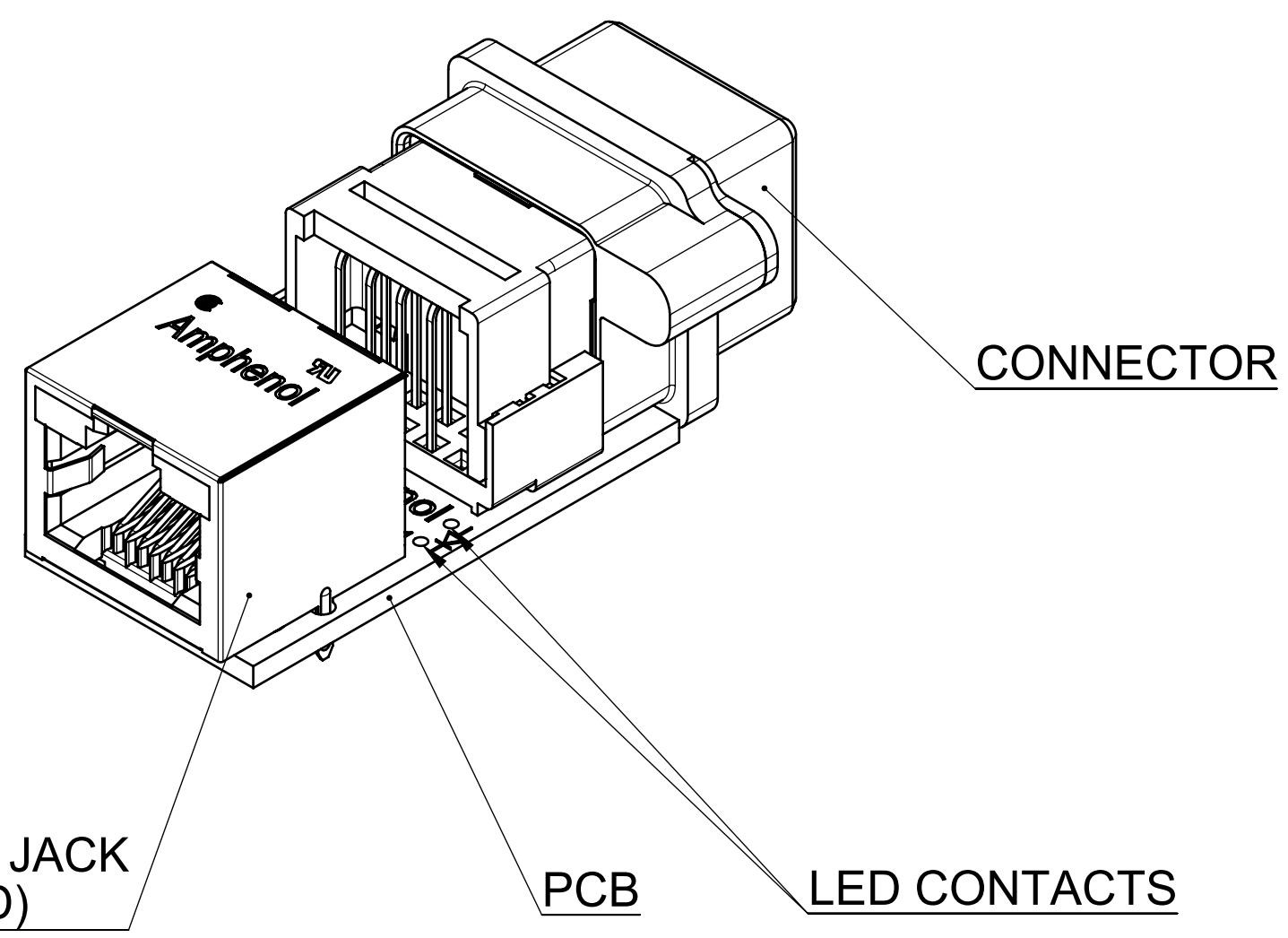
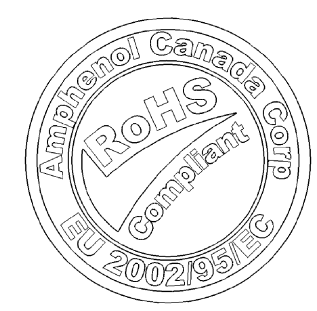


4-40 UNC THREAD (2 PLCS)



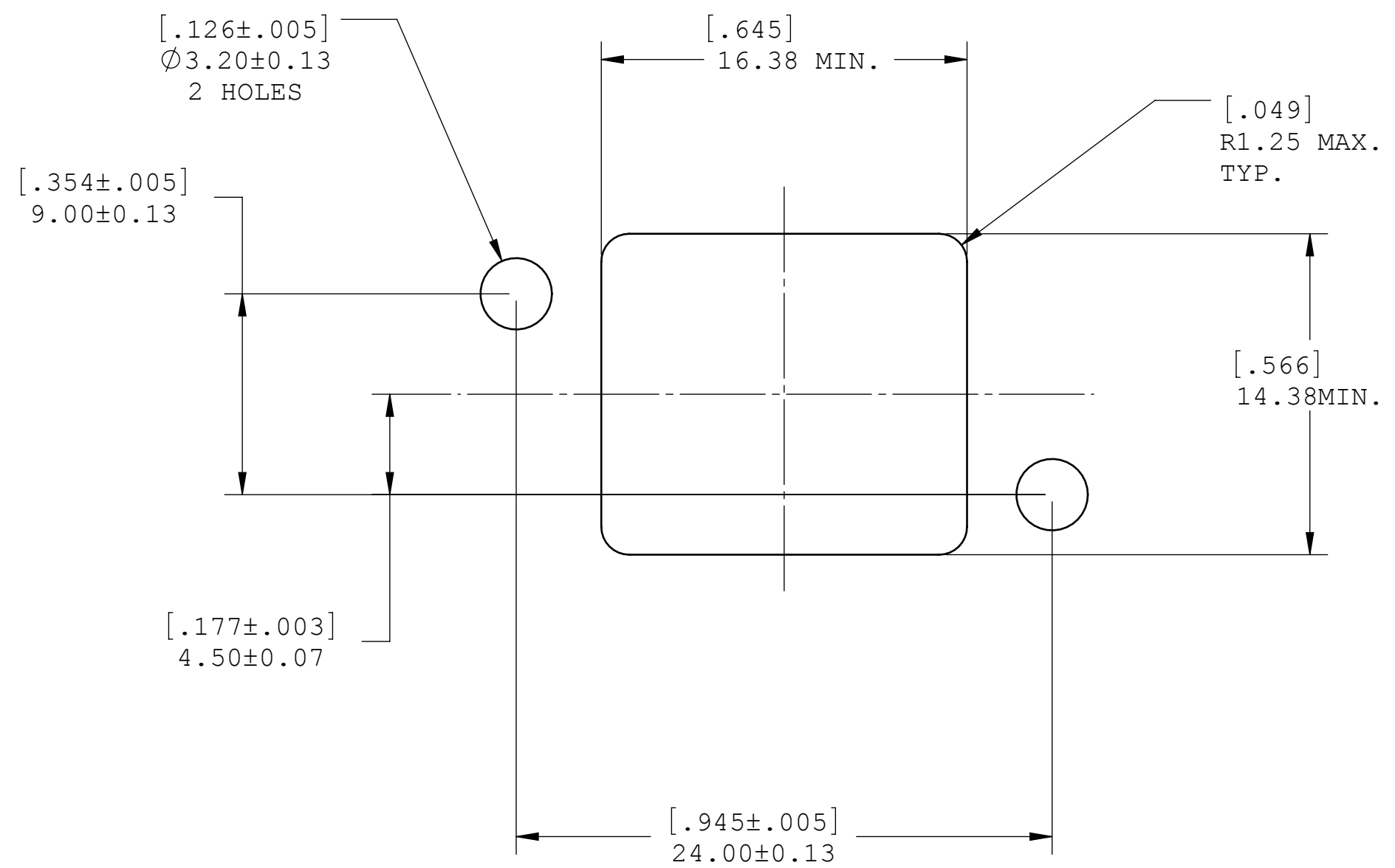
NOTES:

1. COMPONENTS:
 - CONNECTOR: MRJ-538X-0X, RECEPTACLE, 8 CONTACTS.
 - TERMINATION: RJ45, PLUG.
2. FEATURE: SEALED CONNECTOR IN THE MATED AND UNMATED CONDITIONS.
3. OPERATING TEMPERATURE: -40°C TO +105°C.
4. CONNECTOR MEETS CATEGORY CAT5E REQUIREMENTS DESCRIBED IN TIA/EIA-568-B.1 PART 2.
5. ENVIROMENT PERFORMANCE: IP67.
6. ALL COMPONENTS AND MATERIALS USED FOR CONNECTOR AND PACKAGING ARE ROHS COMPLIANT PER EU DIRECTIVE 2002/95/EC AND AMENDMENTS.

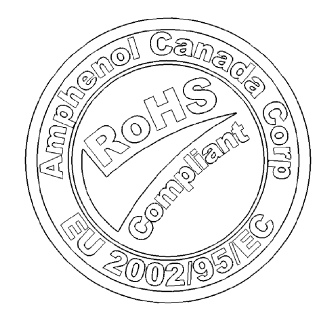


UNLESS OTHERWISE SPECIFIED DIMENSIONS ARE IN MILLIMETER TOLERANCES ARE: DECIMALS ANGLES .XX ± .10 ± 1° .X ± .25	APPROVALS	DATE	Amphenol Canada Corp.		
	DRAWN S.SEMENOV	JAN01/07			
MATERIAL AND FINISH	CHECKED		MRJ CONNECTOR WITH RJ45 TERMINATION		
REF.	QA APP'D				
CODE IDENT. NO.	DWG APP'D A.GREEN	JAN01/07	SCALE 1:0.4	PROJECT MRJ	SHEET 1 OF 2

REV	DESCRIP	DATE	APPRVD



RECOMMENDED PANEL CUTOUT



UNLESS OTHERWISE SPECIFIED DIMENSIONS ARE IN MILLIMETER TOLERANCES ARE: DECIMALS ANGLES .XX ± .10 ± 1° .X ± .25	APPROVALS	DATE	Amphenol Canada Corp.		
	DRAWN S.SEMENOV	JAN01/07			
	DESIGNED S.SEMENOV	JAN01/07	TITLE MRJ CONNECTOR WITH RJ45 TERMINATION		
	CHECKED				
	QA APP'D				
MATERIAL AND FINISH			SIZE C	DWG. NO. P-MRJ-578X-X1	REV. 2A
REF.			SCALE 4:1	PROJECT MRJ	SHEET 2 OF 2
CODE IDENT. NO.	DWG APP'D A.GREEN	JAN01/07			

DO NOT SCALE DRAWING
 THIS DOCUMENT CONTAINS PROPRIETARY INFORMATION AND SUCH INFORMATION MAY NOT BE DISCLOSED TO OTHERS FOR ANY PURPOSE
 OR USED FOR MANUFACTURING PURPOSES WITHOUT PERMISSION FROM AMPHENOL CANADA CORP.