

## Panel feed-through - Q 1,5/2FL/11-11KU-ESA - 1670293

Please be informed that the data shown in this PDF Document is generated from our Online Catalog. Please find the complete data in the user's documentation. Our General Terms of Use for Downloads are valid (<http://download.phoenixcontact.com>)



QUICKON panel feed-through, for external wall mounting with manual solder/slip-on connection, 4.8 x 0.8 mm, 2-pos.



### Key commercial data

Packing unit	1
Minimum order quantity	1
Catalog page	Page 18 (PC-2002)
GTIN	 4 017918 146443
Custom tariff number	85369010
Country of origin	POLAND

### Technical data

#### General characteristics

Connection	If the conductor is reconnected, it must be cut off above the last contact point. QUICKON components may only be operated when under no load.
Color	green
Connection method	Manual solder/slip on connection
Number of positions	2
Wrench size, union nut	22 mm
Tightening torque, union nut	2.5 Nm
Wrench size, contact carrier	22 mm
Tightening torque contact carrier	3.75 Nm
Tightening torque, counter nut	3.75 Nm
Number of connections	2
Conductor cross section stranded min.	0.75 mm <sup>2</sup>
Conductor cross section stranded max.	1.5 mm <sup>2</sup>
Conductor cross section AWG/kcmil min.	18
Conductor cross section AWG/kcmil max	16

#### Conductor data

# Panel feed-through - Q 1,5/2FL/11-11KU-ESA - 1670293

## Technical data

### Conductor data

Structure of individual litz in acc. with VDE 0295 / smallest wire diameter	VDE 0295 Cl.2-5, min. wire diameter 0.2 mm
Wire insulation material	PVC/PE
Wire diameter including insulation	>= 3 mm

### Environmental conditions

Degree of protection	IP65/67
Ambient temperature (operation)	-25 °C ... 80 °C (Specifications of the cable manufacturer must be observed.)
Ambient temperature (operation)	-25 °C ... 50 °C (when the conductor is connected. Specifications of the cable manufacturer must also be observed.)

### Electrical characteristics

Nominal current I <sub>N</sub>	17.5 A (15 A with slip-on sleeve 2.5 mm <sup>2</sup> ; 12 A with slip-on sleeve 1.5 mm <sup>2</sup> .)
Rated voltage (III/3)	250 V
Note on the rated voltage (III/3)	with insulating sleeve
Rated voltage (III/2)	320 V
Note on the rated voltage (III/2)	with insulating sleeve
Rated voltage (II/2)	630 V
Note on the rated voltage (II/2)	with insulating sleeve

### Mechanical characteristics

QUICKON connectability	10 (if the conductor is connected more than once, seal and cap may need to be replaced.)
PC QUICKON thread type	Pg11
Impact category	3

### Material data

Contact material	Copper alloy
Contact surface material	Pre-nickel plated and tin-plated
Contact carrier material	PA 66
Inflammability class according to UL 94	V0
Surge voltage category	III
Pollution degree	3

## Classifications

### ETIM

ETIM 2.0	EC001297
ETIM 3.0	EC000516
ETIM 4.0	EC000516
ETIM 5.0	EC000516

### UNSPSC

UNSPSC 11	39121522
-----------	----------

# Panel feed-through - Q 1,5/2FL/11-11KU-ESA - 1670293

## Classifications

### UNSPSC

UNSPSC 12.01	39121522
UNSPSC 13.2	39121522
UNSPSC 6.01	30211923
UNSPSC 7.0901	39121522

### eCl@ss

eCl@ss 4.0	27140815
eCl@ss 4.1	27140815
eCl@ss 5.0	27143423
eCl@ss 5.1	27143423
eCl@ss 6.0	27143423
eCl@ss 7.0	27449001

## Approvals

### Approvals


Approvals


UL Recognized / cUL Recognized / GOST / cULus Recognized

Ex Approvals

Approvals submitted

### Approval details


UL Recognized 	
Nominal current IN	15 A
Nominal voltage UN	250 V

cUL Recognized 	
Nominal current IN	11 A
Nominal voltage UN	250 V

## Panel feed-through - Q 1,5/2FL/11-11KU-ESA - 1670293

### Approvals

GOST 

cULus Recognized 

### Accessories

#### Accessories

#### Assembly

Nut - Q-MU PG11 - 1670471



Nut (plastic) to lock the contact carrier Pg11 / 24 WAF

Insulating sleeve - PT/FS 4,8 - 1670497



Insulating sleeve, as touch protection, for 4.8 mm slip-on sleeves, slide onto the conductor before

### Protection and sealing elements

Cover caps - Q-PROT 9/11 - 1670235

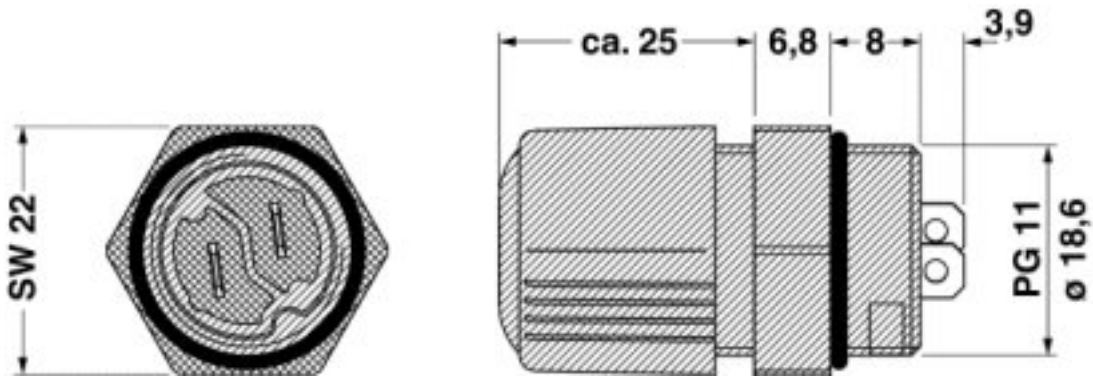


Closing cap for PG9/PG11 to close unoccupied connections

### Drawings

# Panel feed-through - Q 1,5/2FL/11-11KU-ESA - 1670293

Dimensioned drawing



© Phoenix Contact 2012 - all rights reserved  
<http://www.phoenixcontact.com>