

PLEASE CHECK WWW.MOLEX.COM FOR LATEST PART INFORMATION

Part Number: [0681141562](#)
Status: **Active**
Description: High Density D-Subminiature Shielded I/O PCB Female Receptacle, Right Angle, 15 Circuits, Hexagon Nut, Lead Free

Documents:

[3D Model](#) [Product Specification PS-68114-002 \(PDF\)](#)
[Drawing \(PDF\)](#) [RoHS Certificate of Compliance \(PDF\)](#)

General

Product Family	I/O Connectors
Series	68114
Application	Wire-to-Board
Component Type	Plug
Product Name	D-Sub
Type	N/A

Physical

Boot Color	N/A
Circuits (Loaded)	15
Circuits (maximum)	15
Durability (mating cycles max)	500
Gender	Receptacle
Keying to Mating Part	None
Lock to Mating Part	No
Material - Plating Mating	Gold
Number of Rows	3
Orientation	Right Angle
PC Tail Length (in)	0.130 In
PC Tail Length (mm)	3.30 mm
PCB Locator	Yes
PCB Retention	Yes
PCB Thickness Recommended (in)	0.063 In
PCB Thickness Recommended (mm)	1.60 mm
Packaging Type	Tray
Panel Mount	Yes
Pitch - Mating Interface (in)	0.090 In
Pitch - Mating Interface (mm)	2.29 mm
Pitch - Term. Interface (in)	0.090 In
Pitch - Term. Interface (mm)	2.29 mm
Polarized to Mating Part	Yes
Polarized to PCB	Yes
Ports	1
Surface Mount Compatible (SMC)	No
Temperature Range - Operating	-55°C to +125°C
Termination Interface: Style	Through Hole
Waterproof / Dustproof	No
Wire Insulation Diameter	N/A
Wire Size AWG	N/A

Electrical

Current - Maximum per Contact	3A
Grounding to Panel	Yes
Shield Type	Full Shield
Shielded	Yes
Voltage - Maximum	350V AC (RMS)/DC

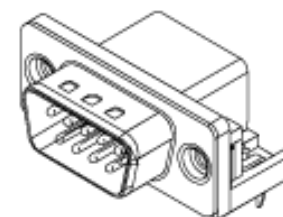


image - Reference only

Series

EU RoHS

**ELV and RoHS
Compliant**
REACH SVHC
 Not Reviewed
**Halogen-Free
Status**

China RoHS



Not Reviewed

**Need more information on product
environmental compliance?**

Email productcompliance@molex.com
 For a multiple part number RoHS Certificate of Compliance, [click here](#)

Please visit the [Contact Us](#) section for any non-product compliance questions.

Search Parts in this Series

68114Series

Material Info

Reference - Drawing Numbers

Product Specification

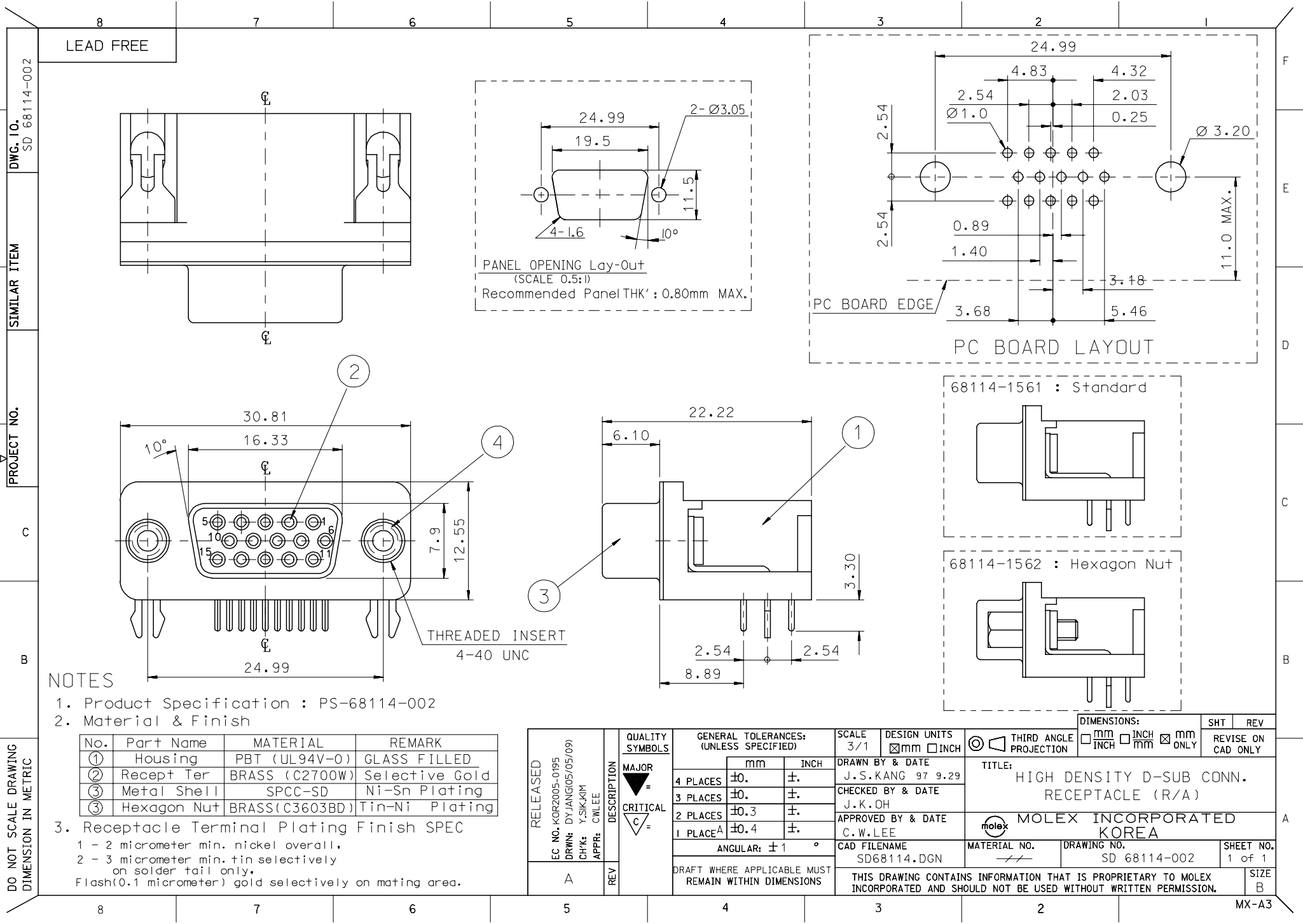
PS-68114-002

Sales Drawing

SD-68114-002

This document was generated on 06/07/2010

PLEASE CHECK WWW.MOLEX.COM FOR LATEST PART INFORMATION



NOTES

- 1. Product Specification : PS-68114-002
- 2. Material & Finish

No.	Part Name	MATERIAL	REMARK
①	Housing	PBT (UL94V-0)	GLASS FILLED
②	Recept Ter	BRASS (C2700W)	Selective Gold
③	Metal Shell	SPCC-SD	Ni-Sn Plating
④	Hexagon Nut	BRASS(C3603BD)	Tin-Ni Plating

- 3. Receptacle Terminal Plating Finish SPEC
- 1 - 2 micrometer min. nickel overall.
- 2 - 3 micrometer min. tin selectively on solder tail only.
- Flash(0.1 micrometer) gold selectively on mating area.

RELEASED EC NO.: KOR2005-0195 DRWN: DYJANG(05/05/09) CHK: Y.SIK/KIM APPR: CWLEE	DESCRIPTION REV	QUALITY SYMBOLS MAJOR = CRITICAL =	GENERAL TOLERANCES: (UNLESS SPECIFIED)	SCALE 3/1	DESIGN UNITS <input checked="" type="checkbox"/> mm <input type="checkbox"/> INCH	THIRD ANGLE PROJECTION 	DIMENSIONS: <input type="checkbox"/> mm <input type="checkbox"/> INCH <input type="checkbox"/> mm <input checked="" type="checkbox"/> mm ONLY	SHT REV				
		4 PLACES ±0. mm ±. INCH	3 PLACES ±0. mm ±. INCH	2 PLACES ±0.3 mm ±. INCH	1 PLACE ±0.4 mm ±. INCH	ANGULAR: ±1 °	DRAWN BY & DATE J.S.KANG 97 9.29	CHECKED BY & DATE J.K.OH	APPROVED BY & DATE C.W.LEE	CAD FILENAME SD68114.DGN	TITLE: HIGH DENSITY D-SUB CONN. RECEPTACLE (R/A)	REVISE ON CAD ONLY
		DRAFT WHERE APPLICABLE MUST REMAIN WITHIN DIMENSIONS		THIS DRAWING CONTAINS INFORMATION THAT IS PROPRIETARY TO MOLEX INCORPORATED AND SHOULD NOT BE USED WITHOUT WRITTEN PERMISSION.		MATERIAL NO. DRAWING NO. SD 68114-002		SHEET NO. 1 of 1		SIZE B		
		A		REV		MOLEX MOLEX INCORPORATED KOREA		MX-A3				

DO NOT SCALE DRAWING
DIMENSION IN METRIC

DWG. IO.
SD 68114-002

SIMILAR ITEM

PROJECT NO.

B

C

D

E

F