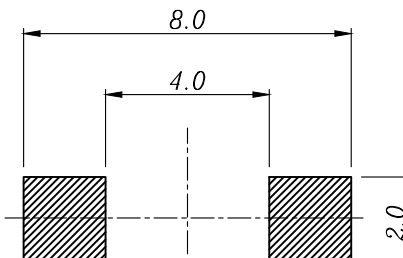
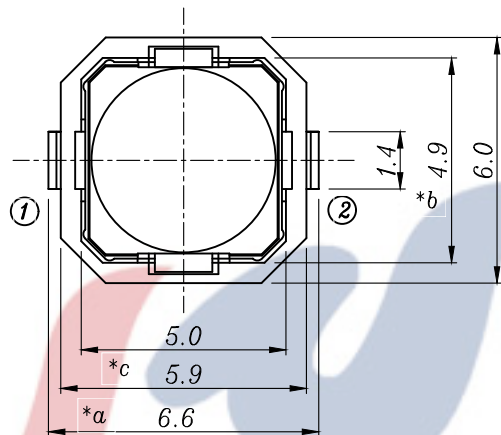
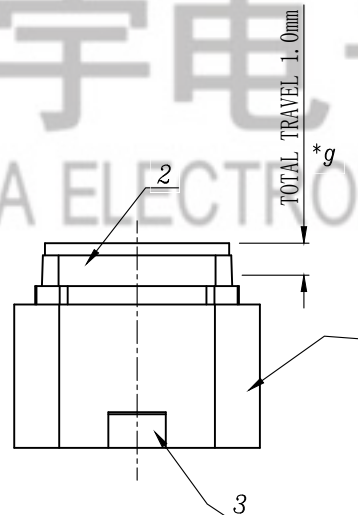
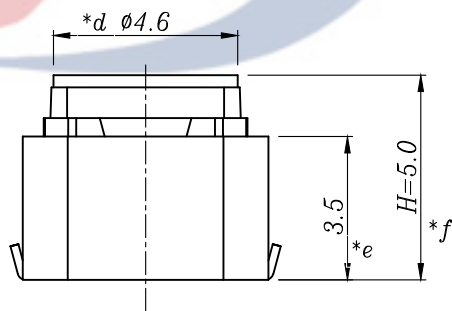


CIRCUIT DIAGRAM



P.C.B LAYOUT



皓宇电子
HOOYA ELECTRONICS

					TOLERANCE UNLESS SPECIFIED								
					UP TO 5mm: ±0.1	ANGULAR	1						
					ABOVE 5mm: ±0.2	±1°	NO	DATE	REVISIONS		BY	APPD	
3	CONTACT FOOT	PBS	2	Ag-Plated	TITLE: TACT SWITCH			UNIT : MM	ROHS	DWN			
2	KNOB	LCP	1	BLACK	MODEL: TC-0031 H5.0			SCALE: 1:1	COMPLIANT	CHK'D			
1	CASE	LCP	1	BLACK	HAOYU(HONGKONG)LIMITED 皓宇(香港)有限公司					APPD			
NO.	PART NAME	MATERIAL	QTY	FINISHING						PRO.AGL:			REV :A0