

BPC-9315-0

15" High Brightness Panel PC with Touch Screen, Core™ 2 Duo, 4 COM, 6 USB, 180W ATX P/S

Panel PC



Open Frame Type

Features

- » Aluminum front panel design
- » 15" high brightness panel display w/touch screen
- » Supports Intel® Core™ 2 Duo processor TDP ≤ 25W
- » VGA, DVI, HDMI, dual Gigabit Ethernet, Audio port
- » 1 x 2.5" SATA HDD space
- » 4 x COM port, 6 x USB2.0 port
- » 180W ATX power supply
- » 2 x 4cm ball bearing cooling fan
- » Option for Wireless LAN module
- » Option for open frame type

System

LCD

Size: 15"
Max. Resolution: 1024 x 768 pixels
Brightness: 800 cd/m²
Contrast Ratio: 1300:1
Max. Color: 16.7M colors
Pixel Pitch: 0.297 x 0.297 mm

Touch Screen

15" resistive

SBC

HS-1755A

CPU

Intel® Core™ 2 Duo processor P7350 2.0GHz (option)

System Chipset

Intel® GM45/ICH9-M

System Memory

2 x 200-pin SO-DIMM, DDR2 800/667MHz, Max. 4GB

Display Interface:

1 x D-SUB 15-pin
1 x DVI
1 x HDMI

Audio Interface

Audio jack for MIC In, Line Out, Line In

Ethernet Interface

2 x RJ-45 for Gigabit Ethernet
1 x USB wireless LAN module (option)

Storage

1 x 2.5" SATA HDD space

Watchdog Timer

Software programmable time-out intervals from 1~255 sec. or 1~255min.

H/W Status Monitor

Monitoring temperatures, voltages, and cooling fan status

Thermal System

2 x 4cm ball bearing cooling fan

Power

180W ATX power supply

Operating/Storage Temperature

0~50°C/-20~+70°C

Certification

FCC/CE Class A compliance
IP65 front panel protection compliance

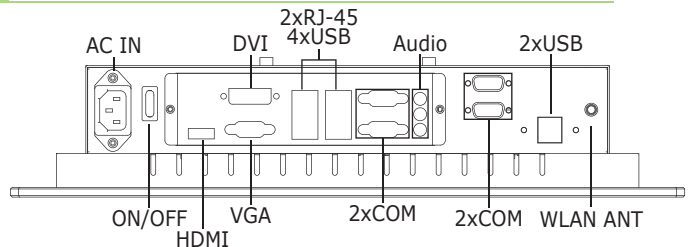
Dimensions

41.5(L) x 32.0(H) x 8.1(W) cm

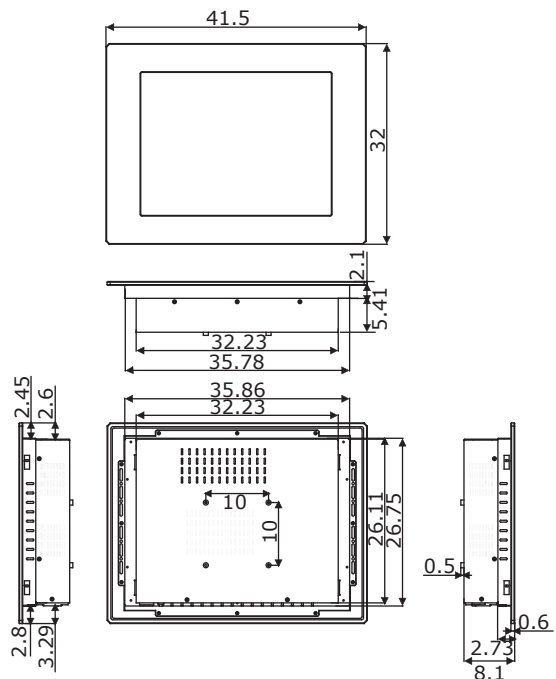
Cut Out Size

36.3(L) x 27.2(H) cm

I/O Interface



Dimensions (unit:cm)



Ordering Information

BPC-9315-0

15" High Brightness Panel PC w/Touch Screen, 4 COM, 6 USB, 180W ATX P/S

OPC-9315-0

15" Open Frame High Brightness Panel PC w/Touch Screen, 4 COM, 6 USB, 180W ATX P/S

Accessory Options

Table Top Metal Stand, CPU, Memory Module, Wireless LAN Module, 2.5" SATA HDD