



DESCRIPTION: 40W 1.5KVDC Isolated Wide Input Voltage DC/DC Converters

The rated output power of TP40DG converters is 40W, the outline dimensions is "50.8*50.8*12.7", 2:1,4:1 input voltage range, the voltage range is 9V-18V, 9V-36V, 18V-36V, 36V-72V. The accuracy of the converter can reach ±1%, it can be widely used in telecommunications, railway transportation, instrument and etc.

FEATURES

| | | |
|---------------------------------------|--------------------------------------|---------------------------------------|
| 40W output power | 2:1,4:1 input voltage range | Input under voltage protection |
| 50.8mm*50.8mm*12.7mm standard package | Fixed switching frequency | Super capability with capacitive load |
| Long term short-circuit protection | Operating temperature: -40°C to 85°C | RoHs compliance |

SELECTION GUIDE

| Part Number | Input Voltage | | Output | | Efficiency(Typ.) % |
|--------------|---------------|--------------|---------------|-------------|-----------------------|
| | voltage (VDC) | | Voltage (VDC) | Current (A) | |
| | Rated | Range values | | | |
| TP40DG12S03 | 12(2:1) | 9-18 | 3.3 | 8 | 85 |
| TP40DG12S05 | 12(2:1) | 9-18 | 5 | 8 | 83 |
| TP40DG12S12 | 12(2:1) | 9-18 | 12 | 3.33 | 86 |
| TP40DG12S15 | 12(2:1) | 9-18 | 15 | 2.67 | 86 |
| TP40DG12S24 | 12(2:1) | 9-18 | 24 | 1.67 | 85 |
| TP40DG12D05 | 12(2:1) | 9-18 | ±5 | ±4 | 83 |
| TP40DG12D12 | 12(2:1) | 9-18 | ±12 | ±1.67 | 86 |
| TP40DG12D15 | 12(2:1) | 9-18 | ±15 | ±1.33 | 86 |
| TP40DG24S03 | 24(2:1) | 18-36 | 3.3 | 8 | 85 |
| TP40DG24S05 | 24(2:1) | 18-36 | 5 | 8 | 84 |
| TP40DG24S12 | 24(2:1) | 18-36 | 12 | 3.33 | 87 |
| TP40DG24S15 | 24(2:1) | 18-36 | 15 | 2.67 | 87 |
| TP40DG24S24 | 24(2:1) | 18-36 | 24 | 1.67 | 86 |
| TP40DG24D05 | 24(2:1) | 18-36 | ±5 | ±4 | 83 |
| TP40DG24D12 | 24(2:1) | 18-36 | ±12 | ±1.67 | 86 |
| TP40DG24D15 | 24(2:1) | 18-36 | ±15 | ±1.33 | 86 |
| TP40DG48S03 | 48(2:1) | 36-72 | 3.3 | 8 | 85 |
| TP40DG48S05 | 48(2:1) | 36-72 | 5 | 8 | 84 |
| TP40DG48S12 | 48(2:1) | 36-72 | 12 | 3.33 | 87 |
| TP40DG48S15 | 48(2:1) | 36-72 | 15 | 2.67 | 87 |
| TP40DG48S24 | 48(2:1) | 36-72 | 24 | 1.67 | 86 |
| TP40DG48D05 | 48(2:1) | 36-72 | ±5 | ±4 | 83 |
| TP40DG48D12 | 48(2:1) | 36-72 | ±12 | ±1.67 | 86 |
| TP40DG48D15 | 48(2:1) | 36-72 | ±15 | ±1.33 | 86 |
| TP40DG24S05W | 24(4:1) | 9-36 | 5 | 8 | 84 |
| TP40DG24S12W | 24(4:1) | 9-36 | 12 | 3.33 | 87 |

All specifications typical at TA=25°C, nominal input voltage and rated output current unless otherwise specified.

GENERAL CHARACTERISTICS

| parameter | Test conditions | Min | Typ | Max | Units |
|------------------------------|---------------------|--------------------------|-------------------|------|-------|
| Isolation voltage | Input to output | | 500 | 1500 | VDC |
| Insulation resistance | Input to output | 100M | | | Ohm |
| Seismic | 10~55Hz | | 5 | | G |
| MTBF | MIL-HDBK-217F2 | | 5x10 ⁵ | | hrs |
| Over-current protection mode | All input range | Burp, Automatic recovery | | | |
| Cooling | Free air convection | | | | |
| Case material | Metal case | | | | |

INPUT CHARACTERISTICS

| parameter | Test conditions | Min | Typ | Max | Units |
|--------------------------------|--|-----|----------|-----|-------|
| Startup voltage | The12V input module(9V-18V) | 9.2 | 9.5 | 9.8 | VDC |
| Startup voltage | The24V input module(18V-36V) | | | 18 | VDC |
| Startup voltage | The48Vinput module(36V-72V) | | | 36 | VDC |
| Input under voltage protection | The12V/24V input module(9V-18V,9V-36V) | | | 8.5 | VDC |
| Input under voltage protection | The24V input module(18V-36V) | | | 17 | VDC |
| Input under voltage protection | The48Vinput module(36V-72V) | | | 35 | VDC |
| Startup time | Output rise time from 5% to 100% | 20 | | | ms |
| Remote control CTL | Remote CTL-Vin | | Turn off | | |
| Remote control CTL | Remote CTL NC(The control level 12V-40V) | | Turn on | | |

OUTPUT CHARACTERISTICS

| parameter | Test conditions | Min | Typ | Max | Units |
|----------------------------|--|-----|-----|------|-------|
| Voltage accuracy | $I_o=0.1 \dots 1.0 \times I_{onom}$ $V_i=V_i$ rated | | | ±1 | % |
| Line regulation | $V_{imin} \leq V_i \leq V_{imax}$ | | | ±0.2 | % |
| Load regulation | $I_o=0.1 \dots 1.0 \times I_{onom}$ $V_{imin} \leq V_i \leq V_{imax}$ | | | ±0.5 | % |
| Auxiliary voltage accuracy | Main Load and auxiliary load differ 25%,the auxiliary circuit of the load with at least 25%, the main circuit with full load | | | ±3 | % |
| Ripple and noise | 20MHz bandwidth | | | ±1 | % |
| Over-current protection | $V_{imin} \leq V_i \leq V_{imax}$ | 120 | | | % |
| Output voltage trim range | $V_{imin} \leq V_i \leq V_{imax}$ | | | 10 | % |
| Transient recovery time | 25% load changes | | | ±5 | % |
| Transient overshoot time | 25% load changes | | | 400 | us |
| Switch frequency | $V_{imin} \leq V_i \leq V_{imax}$ | | 300 | | KHz |

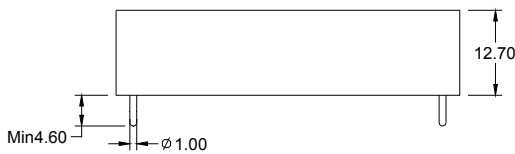
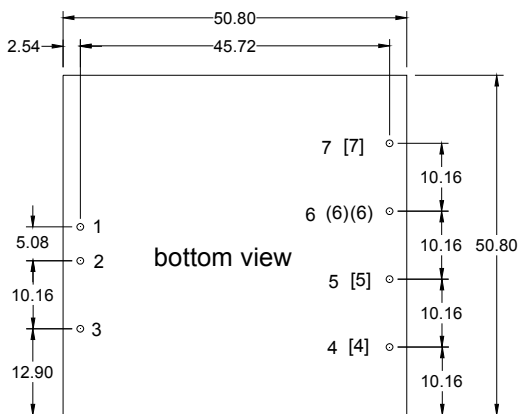
ENVIRONMENT CHARACTERISTICS

| parameter | Test conditions | Min | Typ | Max | Units |
|-----------------------|-----------------------------------|-----|-----|------|-------|
| Storage Humidity | Non condensing | 5 | | +95 | % |
| Operating Temperature | Power derating (above 71℃) | -40 | | +85 | ℃ |
| Storage Temperature | | -55 | | +125 | ℃ |
| Max. Case Temperature | Operating Temperature curve range | | | 105 | ℃ |
| Lead Temperature | 1.5mm from case for 10 seconds | | | 300 | ℃ |
| Cooling | Free air convection | | | | |

- Module in every environment temperature rating, case temperature under shall not exceed the maximum case temperature level.

MECHANICAL DIMENSIONS **PIN CONNECTIONS**

DIP Package

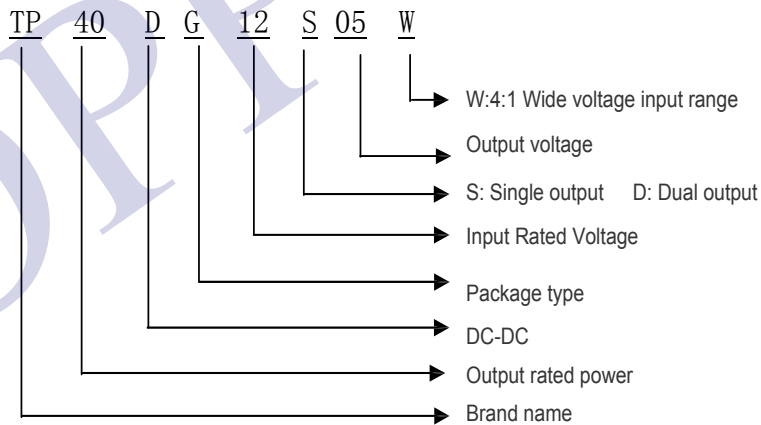


Units: mm

Tolerance: ± 0.2mm

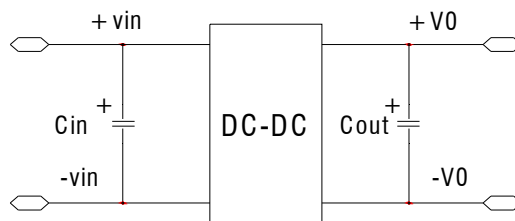
| Pin | Single output | Dual output |
|-----|---------------|-------------|
| 1 | +Vin | +Vin |
| 2 | -Vin | -Vin |
| 3 | CTL | CTL |
| 4 | TRM | TRM |
| [4] | / | / |
| 5 | -Vout | -Vout |
| [5] | / | / |
| 6 | +Vout | / |
| (6) | / | COM |
| [6] | / | / |
| 7 | / | +Vout |
| [7] | / | / |

MODEL SELECTION



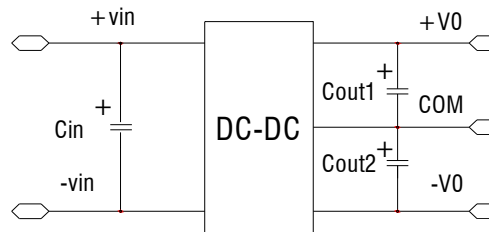
RECOMMEND CIRCUIT

Single Output:



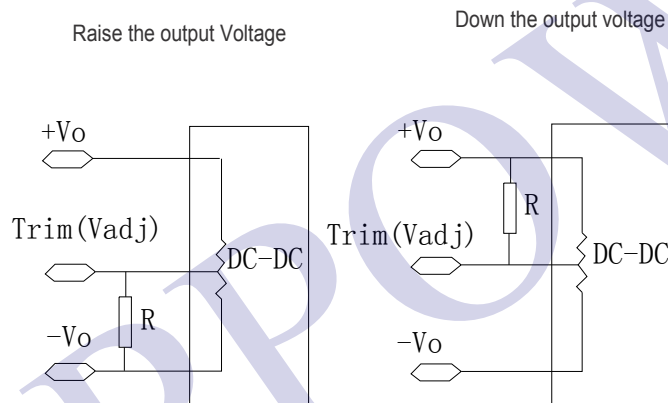
RECOMMEND CIRCUIT

Dual Output:



- Add input capacitance C_{in} is helpful to improve the electromagnetic compatibility, recommend C_{in} use 47 μ F-100 μ F of the electrolytic capacitors.
- If the module connect to the digital circuits, please add the C_{out} , C_{out1} , C_{out2} .
- If C_{out} , C_{out1} , C_{out2} value is too high or lower ESR, it will cause the module instable,
- The recommended value of C_{out} , C_{out1} , C_{out2} should be 100 μ F/A, the current here means the output current.

Trim application & Trim Resistance



- In dual and triple output modules, this application can just used in the main load(auxiliary road change together with the main load)

USING ATTENTIONS

- Module will cause irreversible damage when in the state of the input reverse polarity.
- Module will cause irreversible damage when in the long-term overload conditions.
- Module will cause irreversible damage when out of the maximum input voltage range.

TEMPERATURE DERATING CURVE