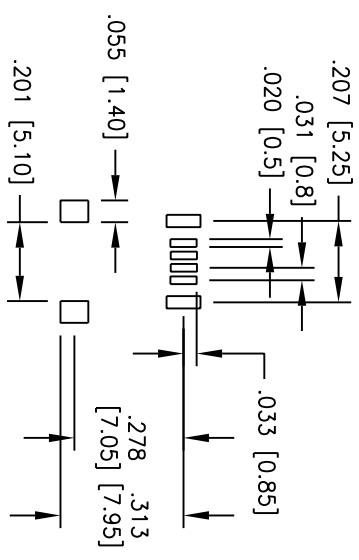
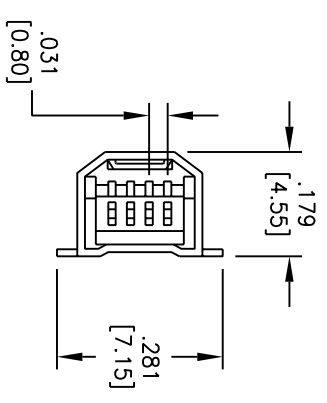
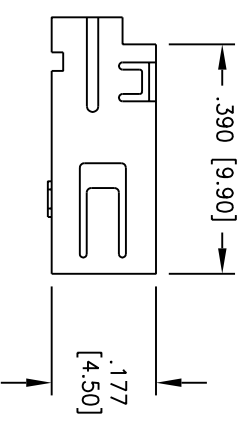
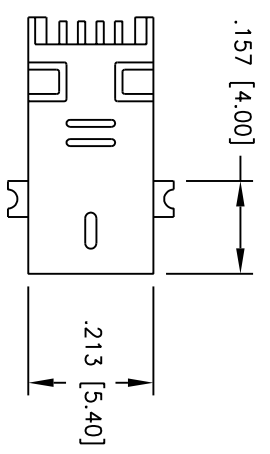


Rev	AWO #	Description	Date	Appr
-		RELEASED	12/3/04	

APPROVED: _____
 DATE: _____ TITLE: _____



PCB LAYOUT

SPECIFICATIONS:

Material:
 Insulator: Hi-Temp Nylon PA6T, rated UL 94V-0
 Insulator color: Black
 Contacts: Phosphor Bronze
 Shell: Steel, Tin plated

Plating:

Gold Flash over Nickel underplate on contact area, Tin over Copper underplate on SMT tails

Electrical:

Operating voltage: 30 VAC max.
 Current rating: 1 Amp max.
 Contact resistance: 50 mohms max.
 Insulation resistance: 100 Mohms min. @ 500 VDC
 Dielectric withstanding voltage: 250 VAC for 1 minute
 Temperature Rating:
 Operating temperature: -55°C to +105°C

UNLESS OTHERWISE SPECIFIED
 ALL DIMENSIONS ARE INCHES [MM]
 TOLERANCES: EXCEPT AS NOTED
 INCHES HOLE:
 X ±.10 ØX ±.10
 .XX ±.020 ØXX ±.015
 .XXX ±.015 ØXXX ±.010

ADAM TECH
 909 Rahway Avenue, Union, NJ 07083
 Phone: 908-687-5000 Fax: 908-687-5710

APPROVALS	DATE
DRAWN SS	10/4/04
CHECKED	
APPROVED	

TITLE	SIZE	PART NO.	REV.
MINI USB, TYPE B, 4 PIN, SINGLE PORT RIGHT ANGLE, SMT	X	MUSB-B4-S-RA-SMT	-

REF:	SCALE:	NIS	SHEET	1 OF 1