

PLEASE CHECK WWW.MOLEX.COM FOR LATEST PART INFORMATION

Part Number: [0675820000](#)
Status: **Active**
Overview: [serial ata products](#)
Description: 1.27mm (.050") Pitch Crimp Housing for Serial ATA Power Cable Receptacle, 15 Circuits, Black

Documents:

[3D Model](#) [Product Specification PS-67490-002 \(PDF\)](#)
[Drawing \(PDF\)](#) [RoHS Certificate of Compliance \(PDF\)](#)

Agency Certification

TUV 30382018.001

General

Product Family Crimp Housings
 Series [67582](#)
 Overview [serial ata products](#)
 Product Name Serial ATA

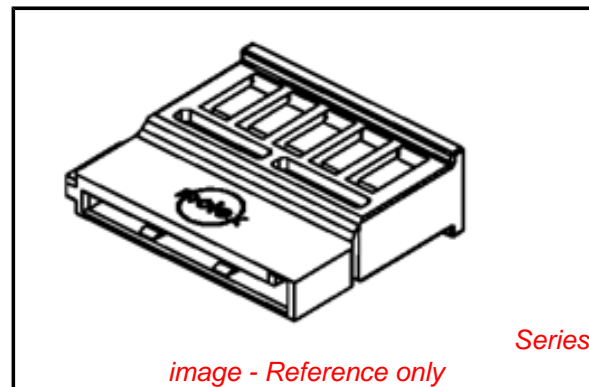
Physical

Circuits Detail 5 sets terminal per housing
 Color - Resin Black
 Flammability 94V-0
 Gender Female
 Glow-Wire Compliant No
 Keying to Mating Part Yes
 Lock to Mating Part No
 Material - Resin Polyester
 Number of Rows 1
 Packaging Type Bag
 Panel Mount No
 Pitch - Mating Interface (in) 0.050 In
 Pitch - Mating Interface (mm) 1.27 mm
 Pitch - Term. Interface (in) 0.050 In
 Pitch - Term. Interface (mm) 1.27 mm
 Polarized to Mating Part No
 Ports 1
 Stackable No
 Temperature Range - Operating -35°C to +85°C

Material Info

Reference - Drawing Numbers

Packaging Specification PK-67582-001
 Product Specification PS-67490-002
 Sales Drawing SD-67582-001



EU RoHS

ELV and RoHS Compliant
REACH SVHC
 Not Reviewed
Halogen-Free Status

China RoHS



Not Halogen-Free

Need more information on product environmental compliance?

Email productcompliance@molex.com
 For a multiple part number RoHS Certificate of Compliance, [click here](#)

Please visit the [Contact Us](#) section for any non-product compliance questions.

Search Parts in this Series

[67582Series](#)

Use With

[67581 Crimp Terminals](#)

10 9 8 7 6 5 4 3 2 1

F

E

D

C

B

A

F

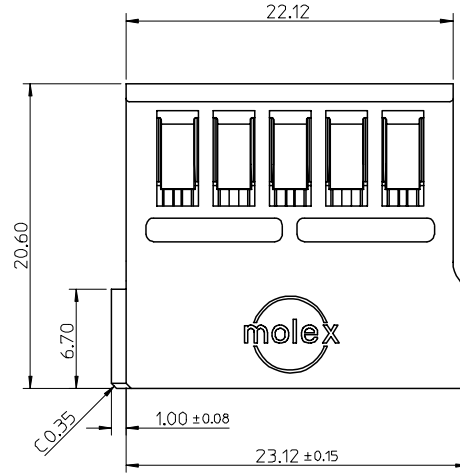
E

D

C

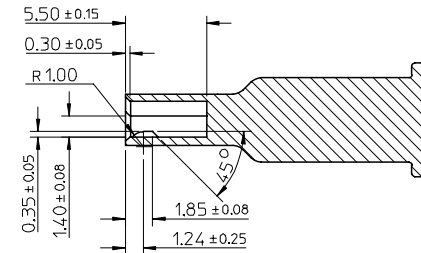
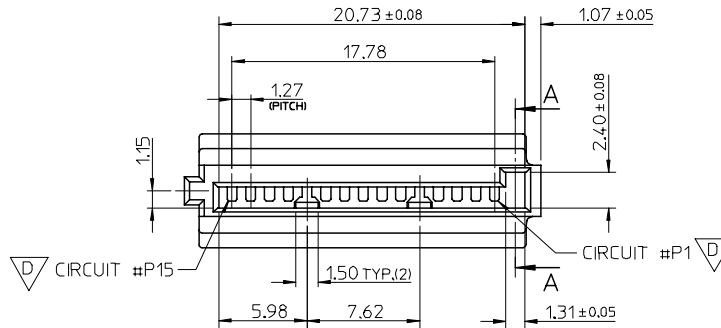
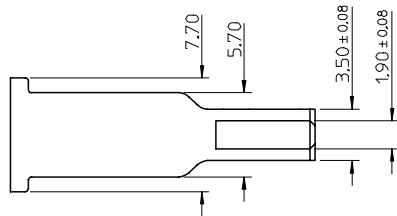
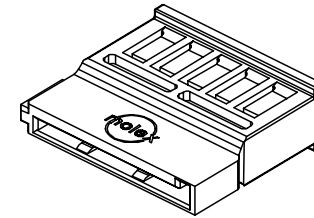
B

A



NOTES:

1. MATERIAL: THERMALPLASTIC, UL94V-0, COLOR: BLACK
2. TO BE USED WITH 67581, 5 SETS TERMINAL PER HOUSING
3. PRODUCT SPECIFICATION REFER TO PS-67490-002
4. PACKAGE SPECIFICATION REFER TO PK-67582-001



Section A-A

9

8

7

6

5

4

3

2

1

NEW RELEASE	DESCRIPTION
EC NO: SH2006-0233	2005/11/14
DRWN: BCHENZ6	2005/11/21
CHKD:	2005/11/21
APPR: GCHEN	2005/11/23
D	REV

QUALITY SYMBOLS	DESCRIPTION
▽=0	
◻=0	

GENERAL TOLERANCES (UNLESS SPECIFIED)	
mm	INCH
4 PLACES ± ---	± ---
3 PLACES ± ---	± ---
2 PLACES ± 0.25	± ---
1 PLACE ± 0.25	± ---
ANGULAR ± 3 °	
DRAFT WHERE APPLICABLE MUST REMAIN WITHIN DIMENSIONS	

DIMENSION STYLE	
MM ONLY	
DRAWN BY	DATE
RICHARD	2002/01/30
CHECKED BY	DATE
WILSON	2002/01/30
APPROVED BY	DATE
ERICK	2002/01/30
MATERIAL NO.	67582-0000
SIZE	A3

SCALE	DESIGN UNITS	THIRD ANGLE PROJECTION
3:1	METRIC	
TITLE		
HSG FOR SATA POWER CABLE RECEPTACLE		
MOLEX MOLEX INCORPORATED		
DOCUMENT NO.	SHEET NO.	
SD-67582-001	1 OF 1	
THIS DRAWING CONTAINS INFORMATION THAT IS PROPRIETARY TO MOLEX INCORPORATED AND SHOULD NOT BE USED WITHOUT WRITTEN PERMISSION		