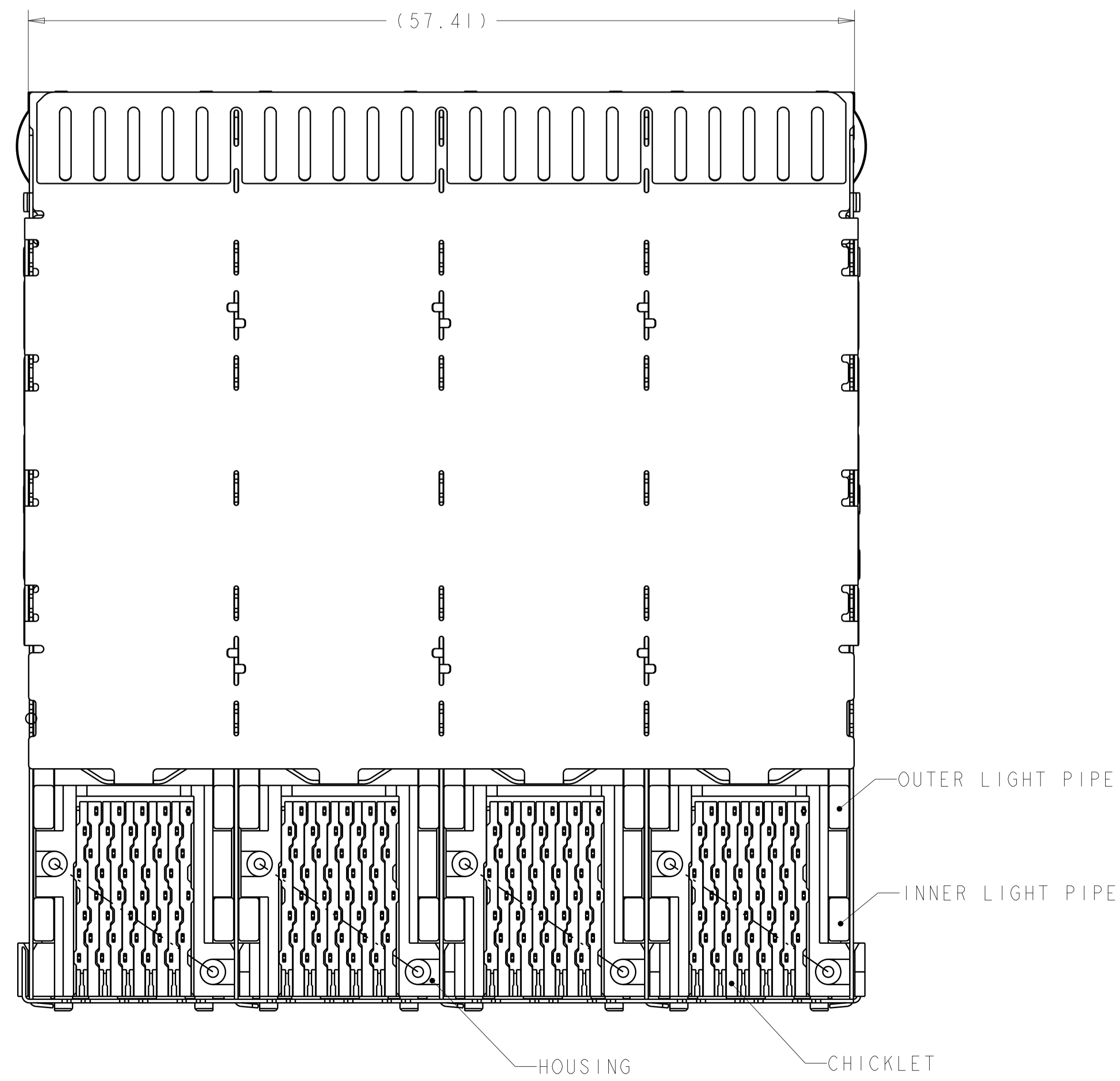
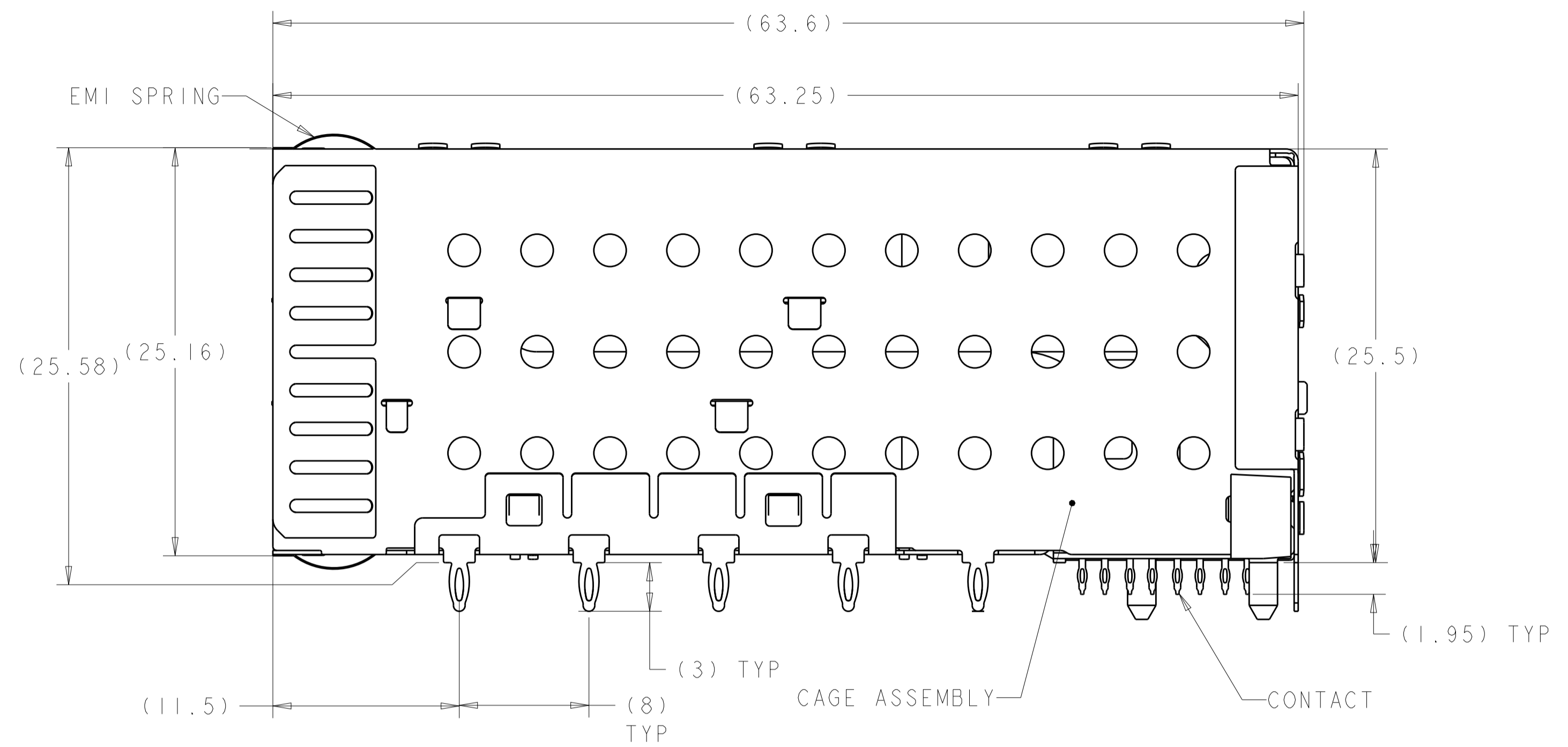
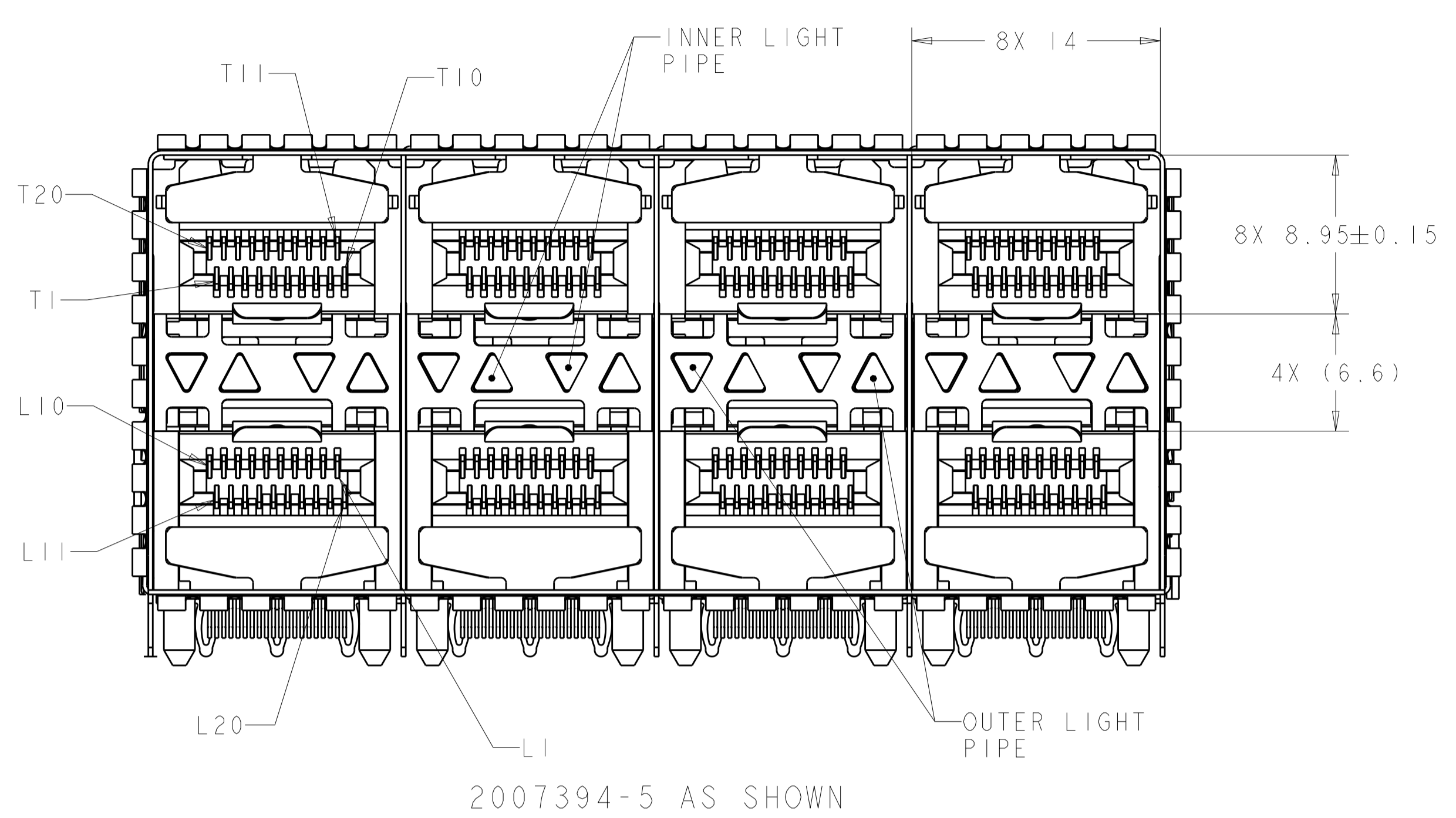


LOC	DIST	REV	DATE	BY	APPV
GP	00	D	06APR2016	AP	RP



- △ MATERIALS:  
CAGE ASSEMBLY- NICKEL SILVER ALLOY PER ASTM B 122.  
EMI SPRING- COPPER ALLOY.  
INSERT- LCP, BLACK, UL 94V-0.  
HOUSING- BLACK LCP, UL 94V-0 RATED.  
CHICKLET- BLACK LCP, UL 94V-0 RATED.  
LIGHT PIPE- POLYCARBONATE, CLEAR.  
CONTACT- COPPER ALLOY.
- △ DATUM AND BASIC DIMENSIONS ESTABLISHED BY CUSTOMER.
- 3. MINIMUM PCB THICKNESS OF 1.5.
- △ CONTACT FINISH: CONFORMS TO THE REQUIREMENTS OF TE CONNECTIVITY PRODUCT SPECIFICATION 108-2331, BASED ON EIA/ECA-364-1000.01A, (CONTROLLED ENVIRONMENT APPLICATIONS) ON MATING INTERFACE, TIN-LEAD ON NEEDLE EYE.
- △ CONTACT FINISH: CONFORMS TO THE REQUIREMENTS OF TE CONNECTIVITY PRODUCT SPECIFICATION 108-2331, BASED ON EIA/ECA-364-1000.01A, (CONTROLLED ENVIRONMENT APPLICATIONS) ON MATING INTERFACE, TIN ON NEEDLE EYE.

- △ FOR HOLE SIZE AND PLATINGS, SEE APPLICATION SPEC 114-13219.
- △ THE ENTIRE AREA OF THE CONNECTOR FOOTPRINT, INDICATED BY THE DASHED LINE, TO BE CONSIDERED THE KEEPOUT AREA FOR COMPONENTS AND SIGNAL TRACES, TOP SIDE ONLY. TOP SIDE TRACES ALLOWED WITHIN CONNECTOR HOLE PATTERN.
- △ LIGHT PIPE PAD LAYOUT IS FOR 0805 LOW PROFILE LED PACKAGE WITH A HEIGHT OF 0.8mm.
- △ EMI SPRING FINISH: 0.8µm MINIMUM MATTE TIN OVER 0.8µm MINIMUM NICKEL, NONPLATED EDGES PERMISSIBLE.
- △ ADDITIONAL COMPONENT LOCATED WITHIN LATCH PLATE FOR EMI SUPPRESSION.

ENHANCED EMI	FINISH	DESCRIPTION	PART NUMBER
YES △10	△5	NO LIGHT PIPES	1-2007394-8
		OUTER 2 LIGHT PIPES	1-2007394-7
		INNER 2 LIGHT PIPES	1-2007394-6
		4 LIGHT PIPES	1-2007394-5
NO	△5	NO LIGHT PIPES	2007394-8
		OUTER 2 LIGHT PIPES	2007394-7
		INNER 2 LIGHT PIPES	2007394-6
SUPERSEDED	NO	4 LIGHT PIPES	2007394-5
		NO LIGHT PIPES	2007394-4
		OUTER 2 LIGHT PIPES	2007394-3
		INNER 2 LIGHT PIPES	2007394-2
		4 LIGHT PIPES	2007394-1

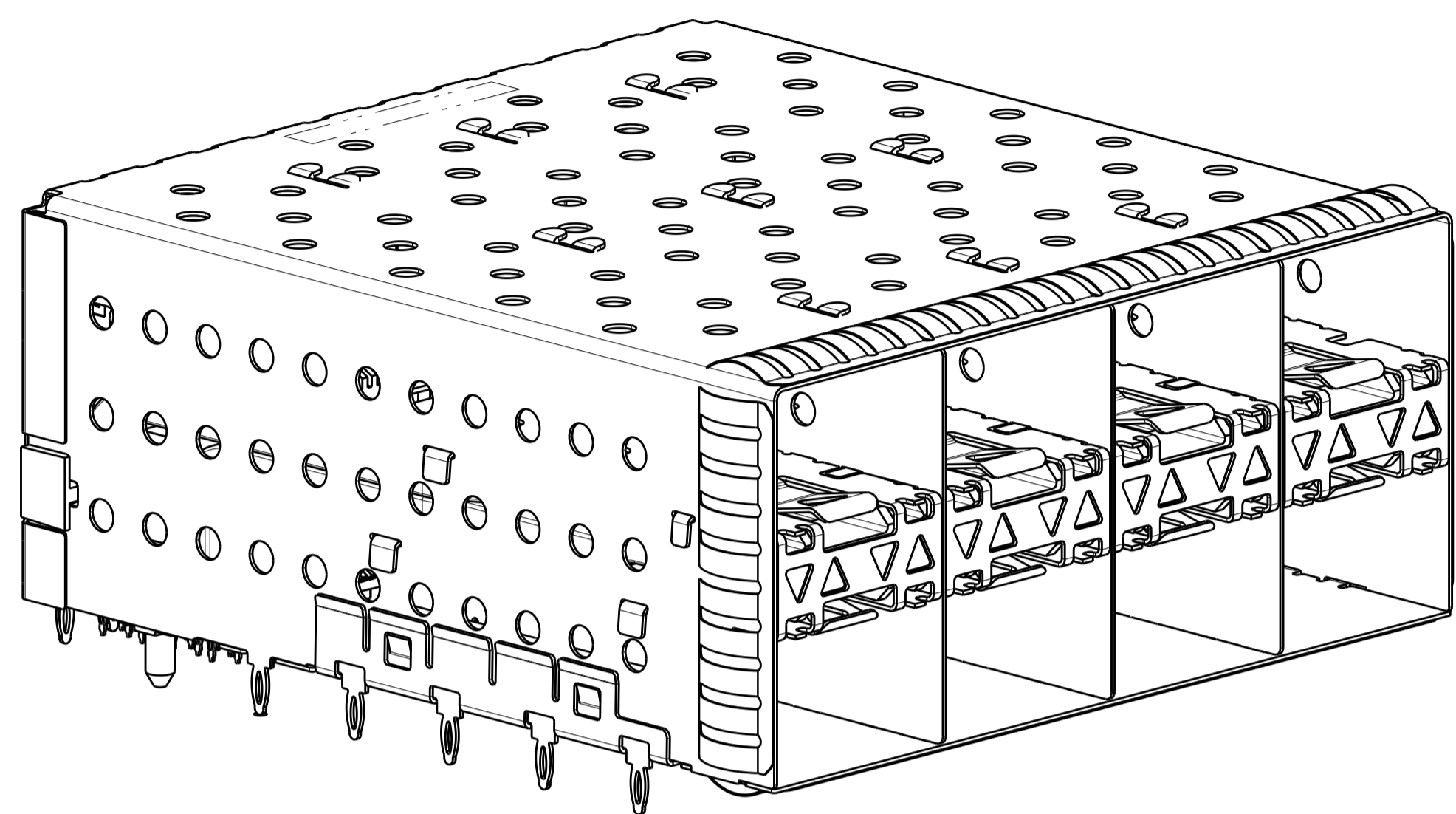
THIS DRAWING IS A CONTROLLED DOCUMENT. DIMENSIONING AND TOLERANCING PER ASME Y14.5M-2009. DIMENSIONS: mm. TOLERANCES UNLESS OTHERWISE SPECIFIED: 0 PLC ±0.10, 1 PLC ±0.10, 2 PLC ±0.10, 3 PLC ±0.10, 4 PLC ±0.10, ANGLES ±°. MATERIAL: △1. FINISH: △4 △5 △9.

APVD: D. SZCZESNY, 10OCT2007. PRODUCT SPEC: 108-2331. APPLICATION SPEC: 114-13219. WEIGHT: -. CUSTOMER DRAWING.

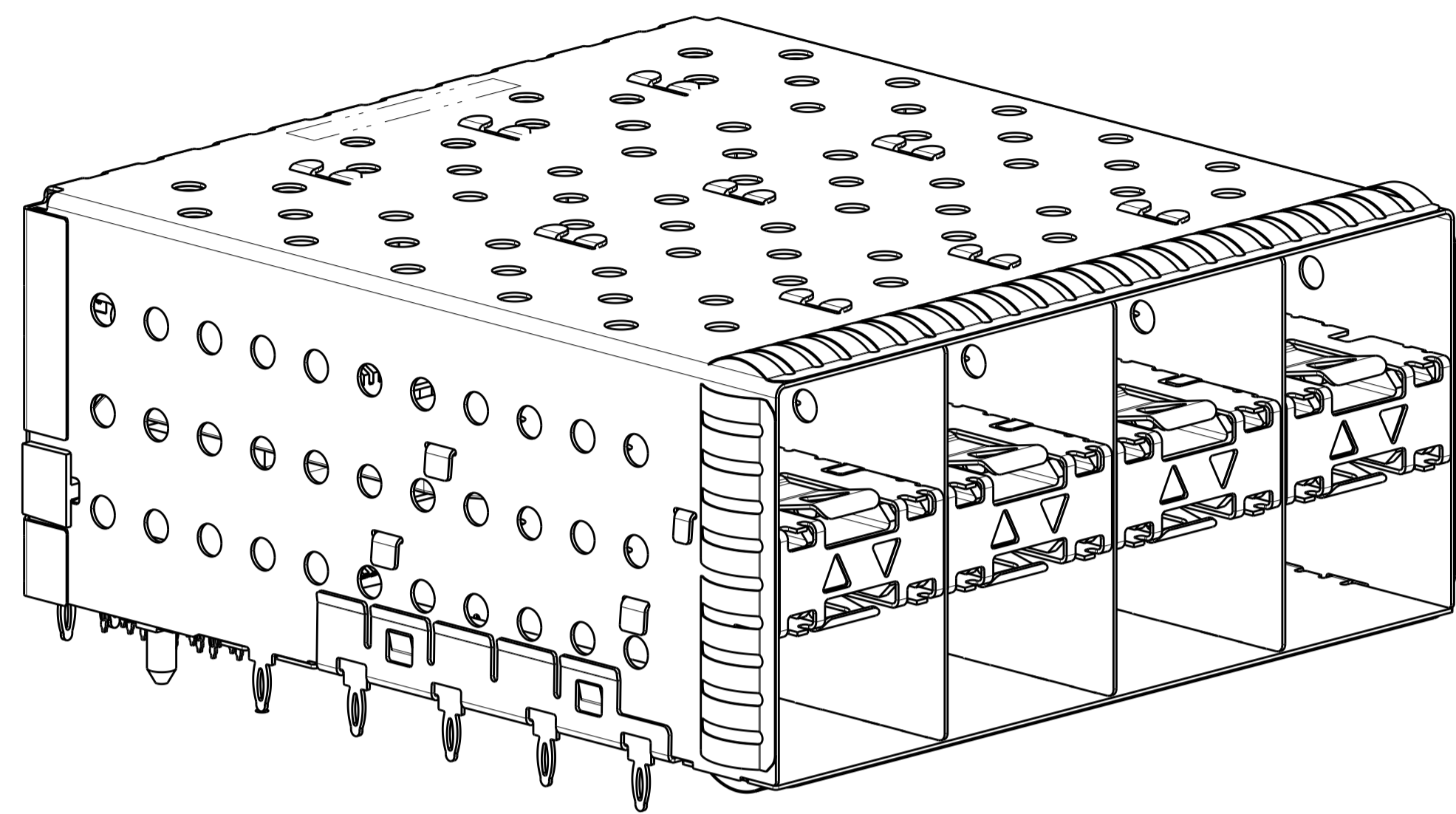
DMN: M. SHIRK, 10OCT2007. CHK: D. SZCZESNY, 10OCT2007. NAME: CAGE AND PT CONNECTOR ASSEMBLY, WITH EMI SPRINGS, PRESS FIT, 2X4, STACKED SFP+. SIZE: A100779. CAGE CODE: 2007394. SCALE: 4:1. SHEET 1 OF 4. REV D.

**STE** TE Connectivity

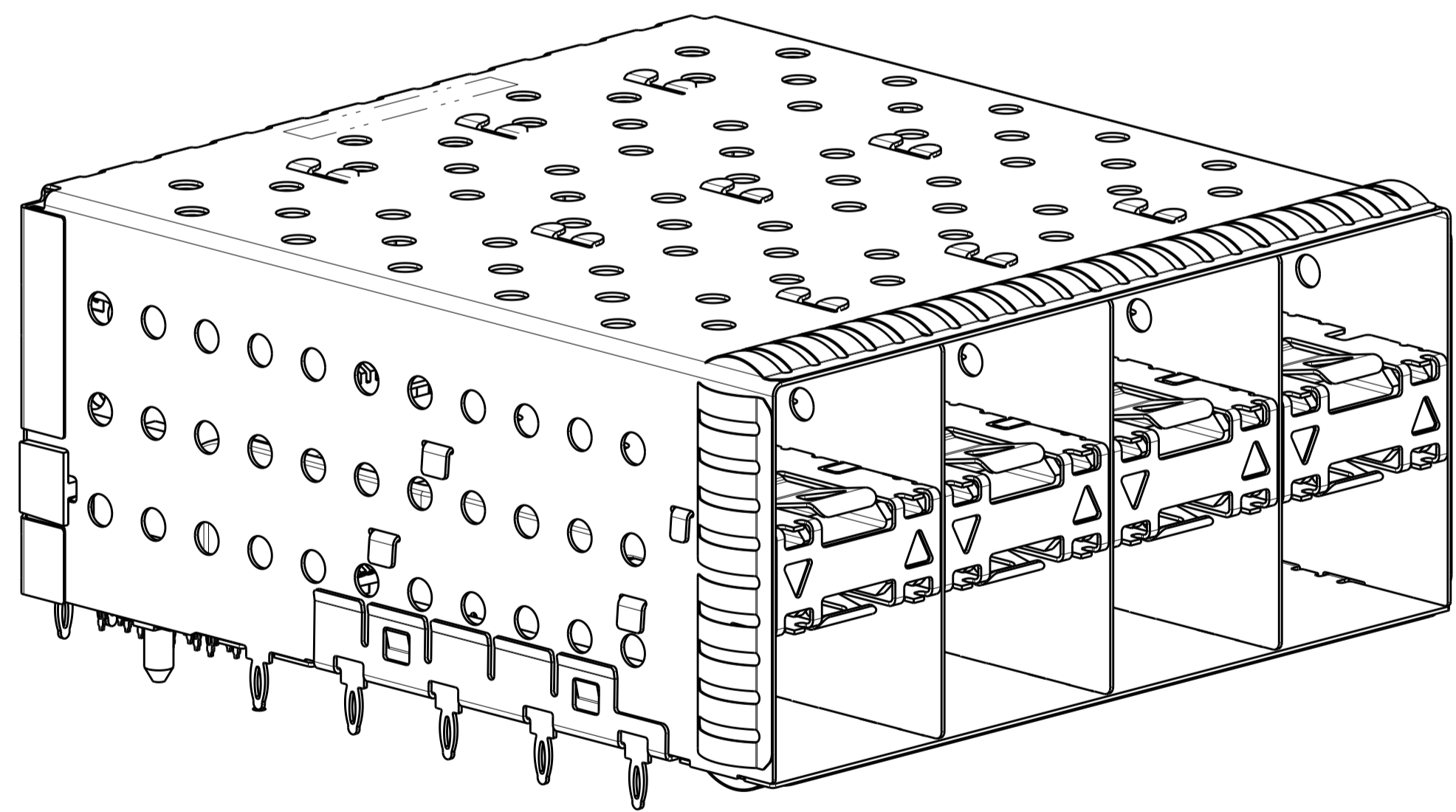
LOC	DIST	REVISIONS			
P	LTN	DESCRIPTION	DATE	DWN	APVD
-	-	SEE SHEET 1	-	-	-



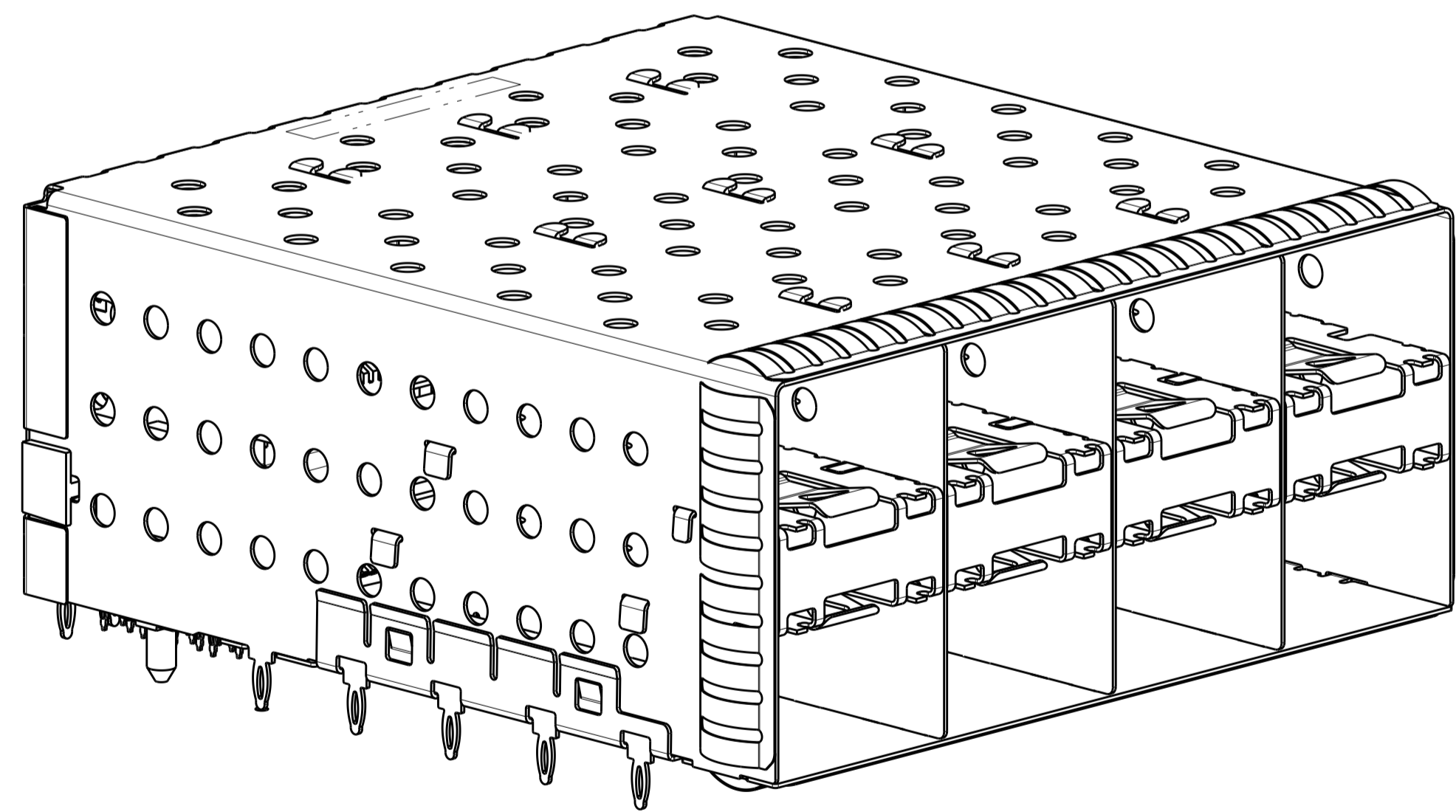
2007394-5 AND 1-2007394-5  
SCALE 3:1



2007394-6 AND 1-2007394-6  
SCALE 3:1



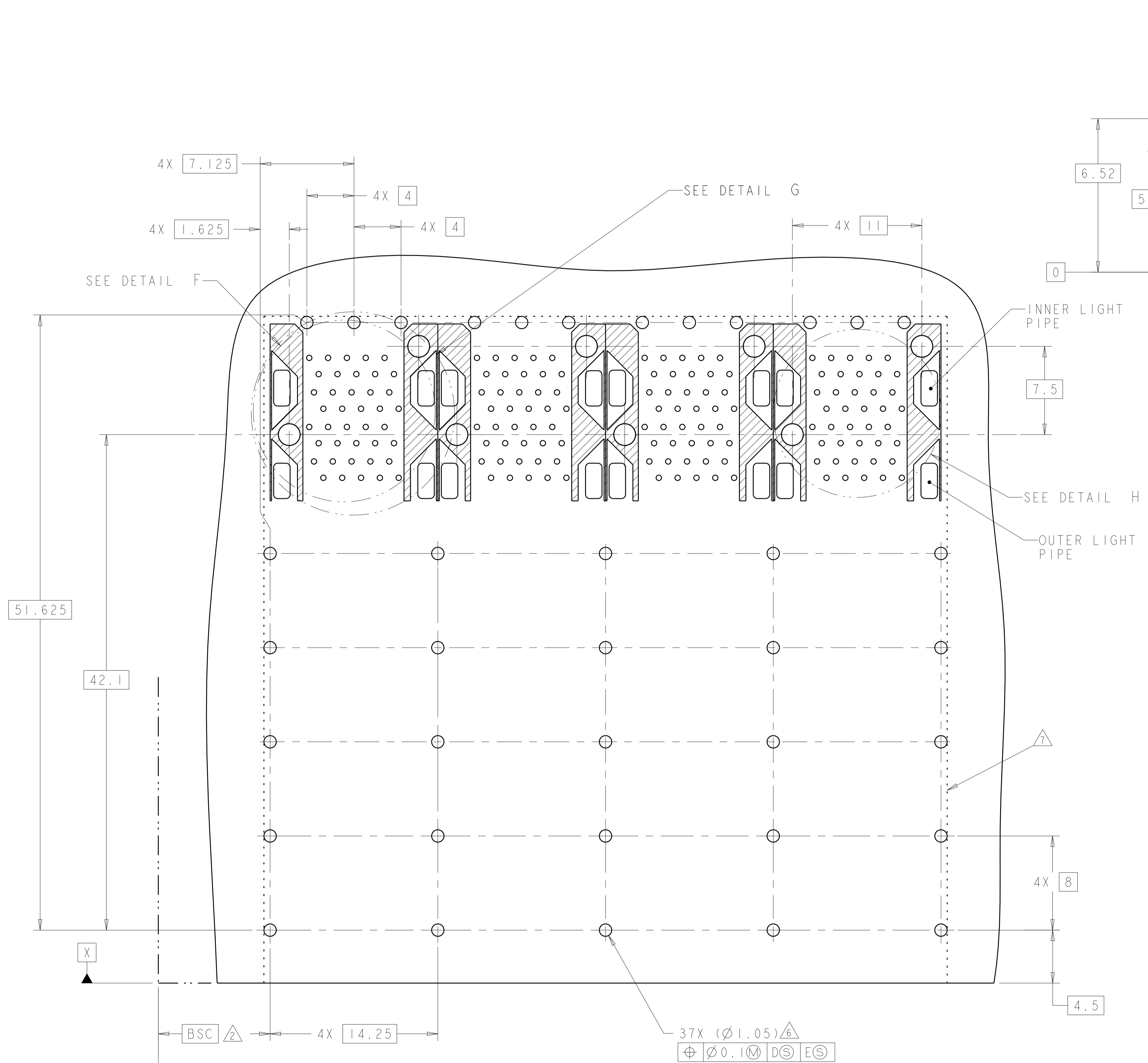
2007394-7 AND 1-2007394-7  
SCALE 3:1



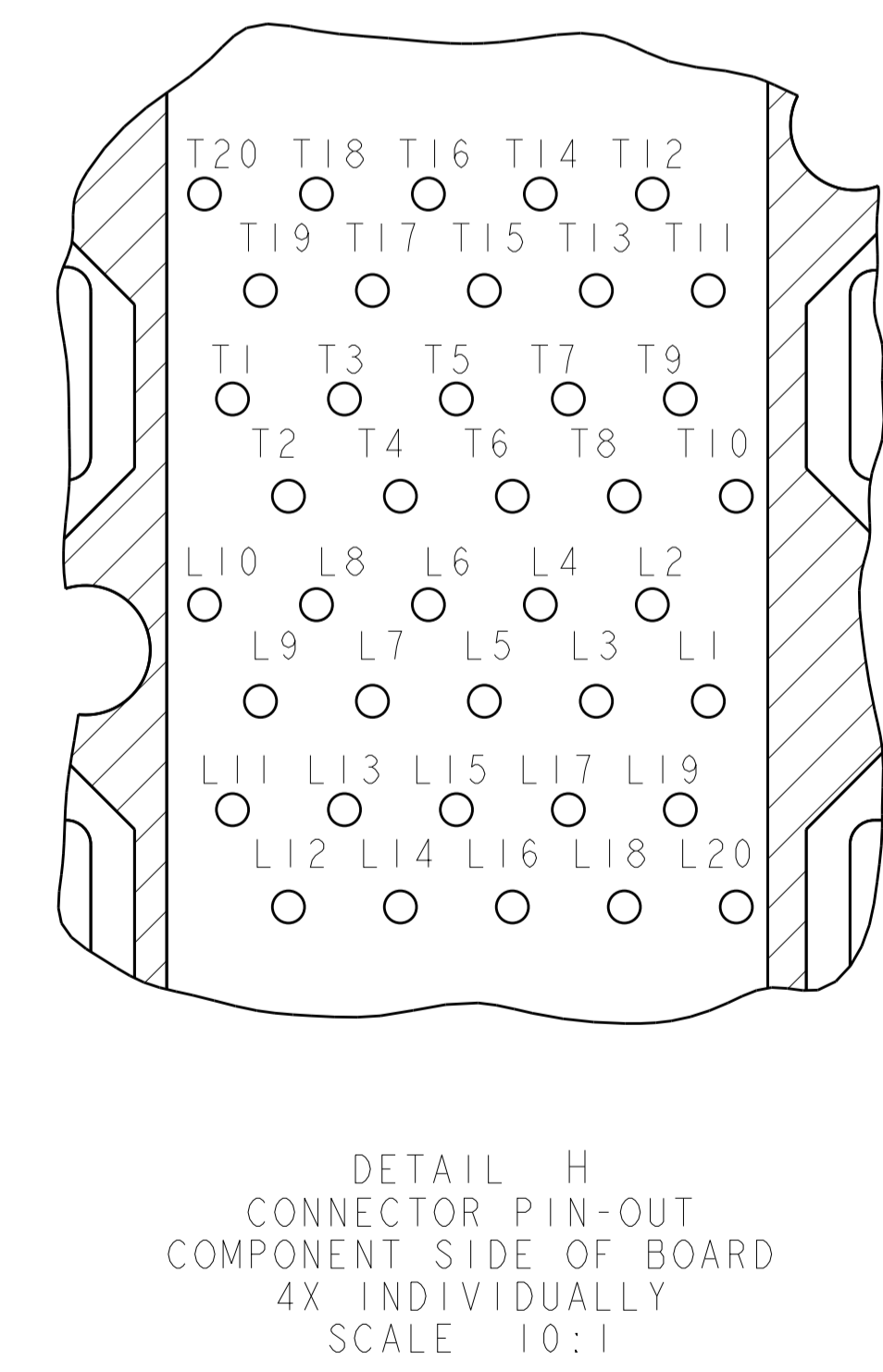
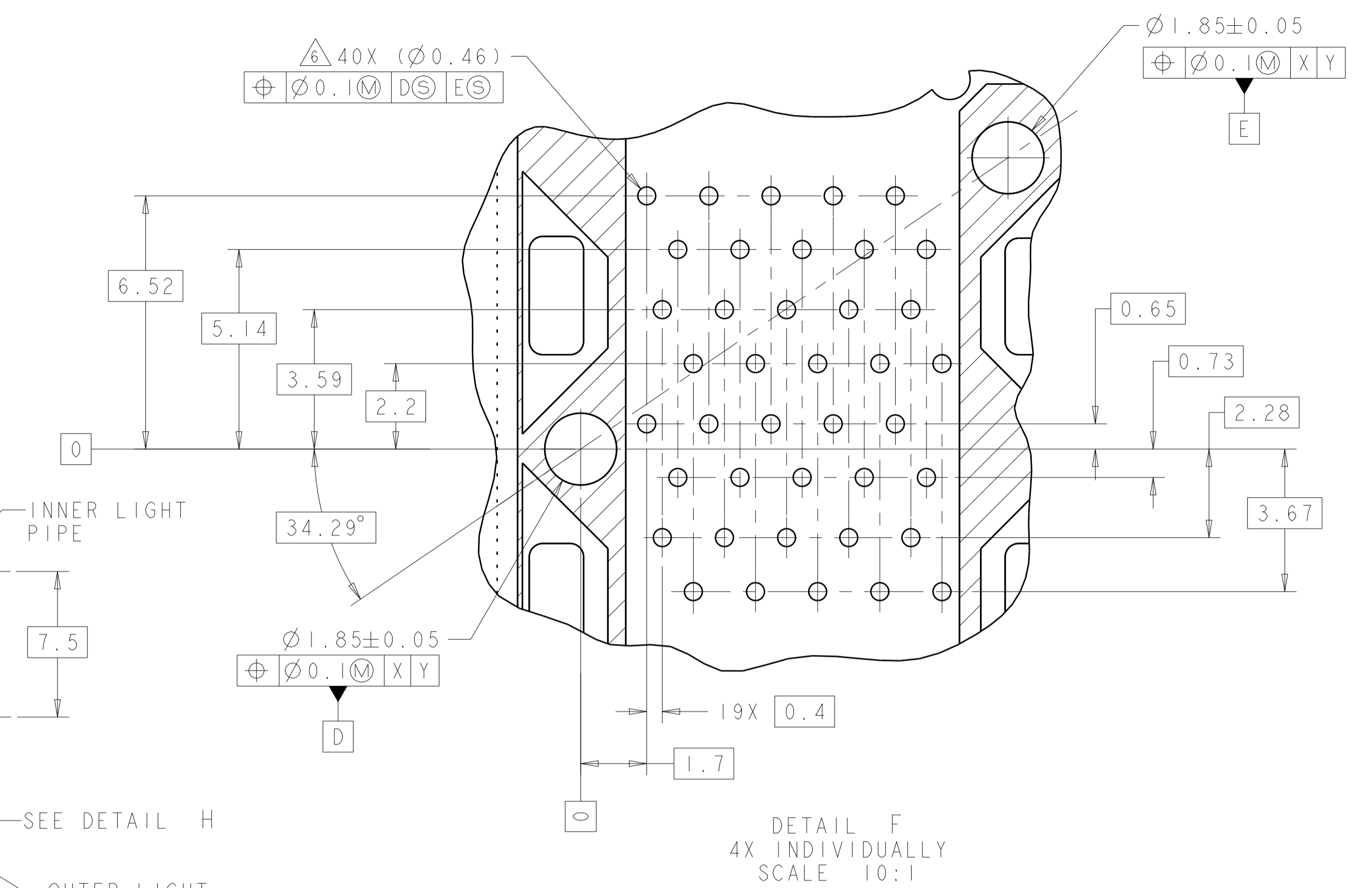
2007394-8 AND 1-2007394-8  
SCALE 3:1

THIS DRAWING IS A CONTROLLED DOCUMENT. DIMENSIONING AND TOLERANCING PER ASME Y14.5M-2009		DWN M. SHIRK 10OCT2007	TE Connectivity
DIMENSIONS: mm		CHK D. SZCZESNY 10OCT2007	
TOLERANCES UNLESS OTHERWISE SPECIFIED:		APVD D. SZCZESNY 10OCT2007	NAME CAGE AND PT CONNECTOR ASSEMBLY, WITH EMI SPRINGS, PRESS FIT, 2X4, STACKED SFP+
0 PLC ±0.10 1 PLC ±0.10 2 PLC ±0.10 3 PLC ±0.10 4 PLC ±0.10 ANGLES ±°		PRODUCT SPEC 108-2331 APPLICATION SPEC 114-13219	
MATERIAL	FINISH	WEIGHT	SIZE CAGE CODE DRAWING NO A100779C=2007394
CUSTOMER DRAWING		SCALE 4:1	SHEET 2 OF 4 REV D

REVISONS		DATE	DMN	APVD
1	SEE SHEET 1	-	-	-

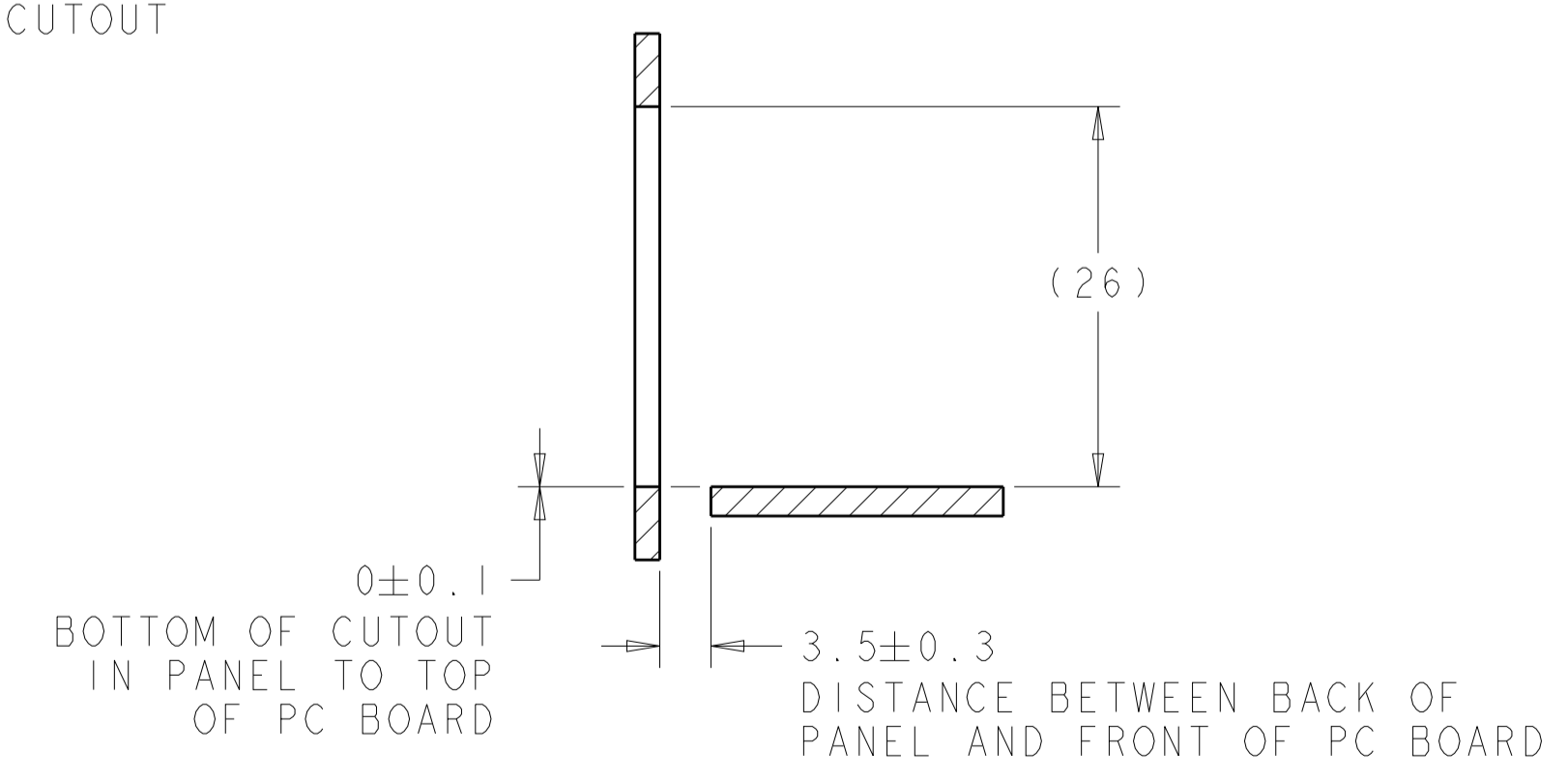
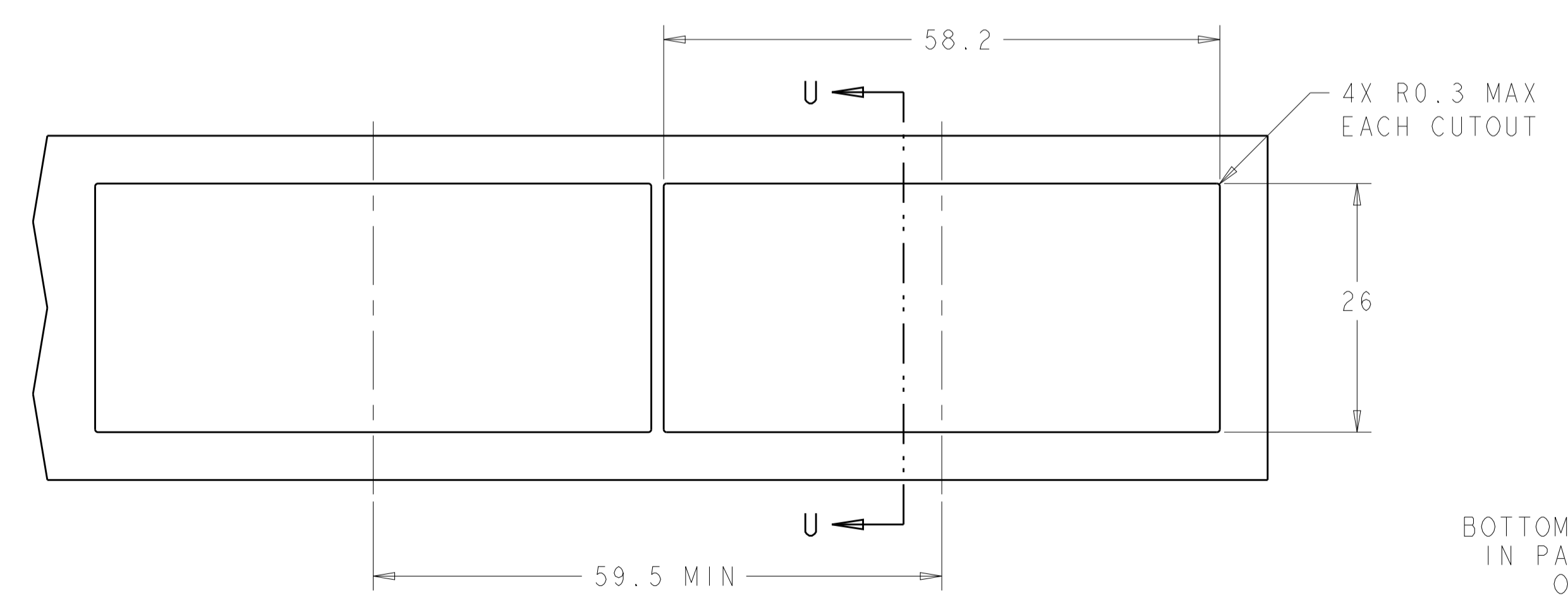
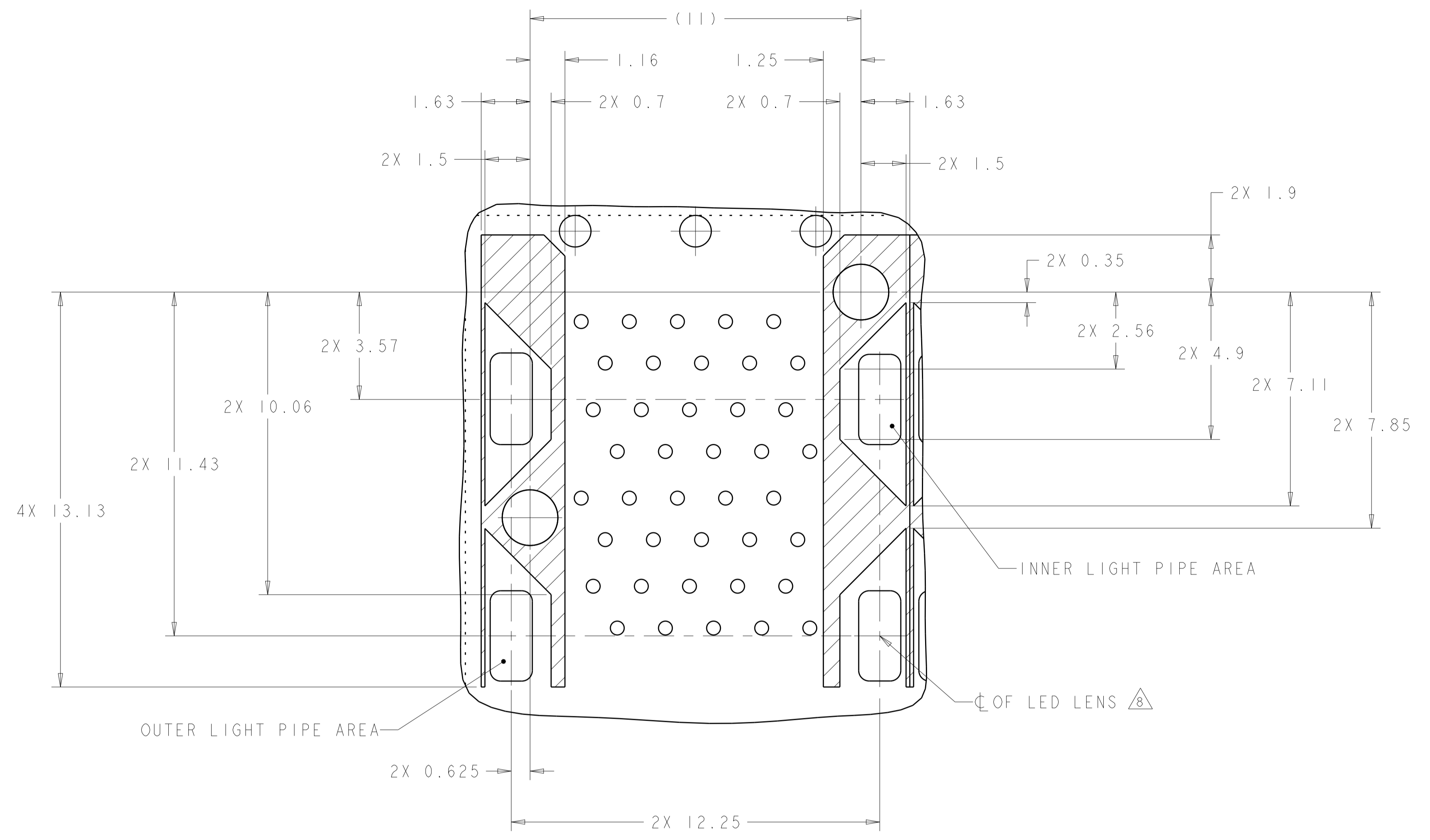


RECOMMENDED PCB LAYOUT  
 COMPONENT SIDE OF BOARD  
 SCALE 5:1



THIS DRAWING IS A CONTROLLED DOCUMENT. DIMENSIONING AND TOLERANCING PER: ASME Y14.5M-2009		DMN: M. SHIRK 10OCT2007	TE Connectivity
DIMENSIONS: mm		CHK: D. SZCZESNY 10OCT2007	
TOLERANCES UNLESS OTHERWISE SPECIFIED:		APVD: D. SZCZESNY 10OCT2007	NAME: CAGE AND PT CONNECTOR ASSEMBLY, WITH EMI SPRINGS, PRESS FIT, 2X4, STACKED SFP+
0 PLC ±0.10		PRODUCT SPEC: 108-2331	
1 PLC ±0.10		APPLICATION SPEC: 114-13219	SIZE: CAGE CODE DRAWING NO: A100779 WEIGHT: - SCALE: 4:1 SHEET 3 OF 4 REV D
2 PLC ±0.10		FINISH: -	
3 PLC ±0.10		MATERIAL: -	CUSTOMER DRAWING
4 PLC ±0.10		ANGLES: -	
FINISH: -			

LOC		DIST		REVISIONS			
P	LTN	DESCRIPTION	DATE	DWN	APVD		
-	-	SEE SHEET 1	-	-	-		



RECOMMENDED PANEL CUTOUT AND PC BOARD, PANEL POSITION  
 SCALE 2:1

SECTION U-U

THIS DRAWING IS A CONTROLLED DOCUMENT. DIMENSIONING AND TOLERANCING PER ASME Y14.5M-2009		DWN: M. SHIRK 10OCT2007	TE Connectivity
TOLERANCES UNLESS OTHERWISE SPECIFIED:		CHK: D. SZCZESNY 10OCT2007	
DIMENSIONS:	mm	APVD: D. SZCZESNY 10OCT2007	NAME: CAGE AND PT CONNECTOR ASSEMBLY, WITH EMI SPRINGS, PRESS FIT, 2X4, STACKED SFP+
0 PLC	±0.10	PRODUCT SPEC: 108-2331	SIZE: 114-13219
1 PLC	±0.10	APPLICATION SPEC: 114-13219	WEIGHT: -
2 PLC	±0.10	FINISH: -	CUSTOMER DRAWING
3 PLC	±0.10		SCALE: 4:1
4 PLC	±0.10		SHEET: 4 OF 4
ANGLES	±°		REV: D