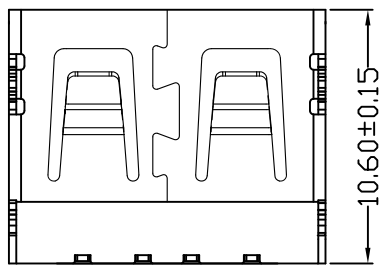
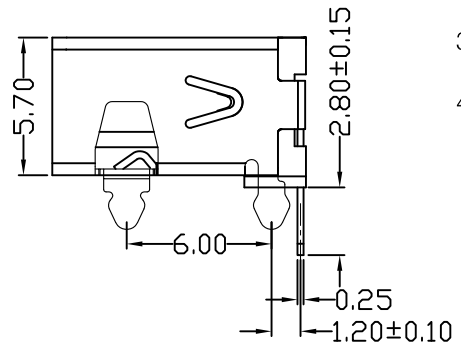
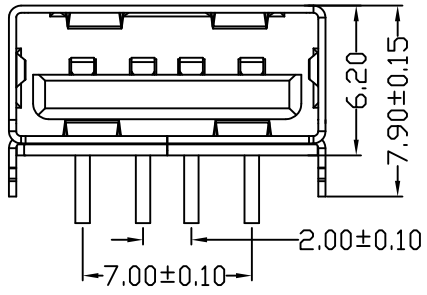
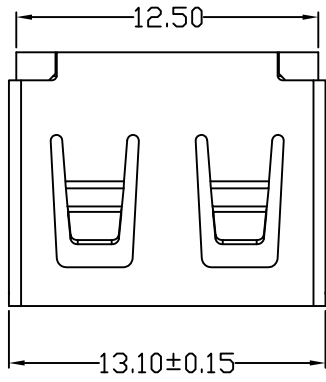


MAPX	MODIFICATION	DATE

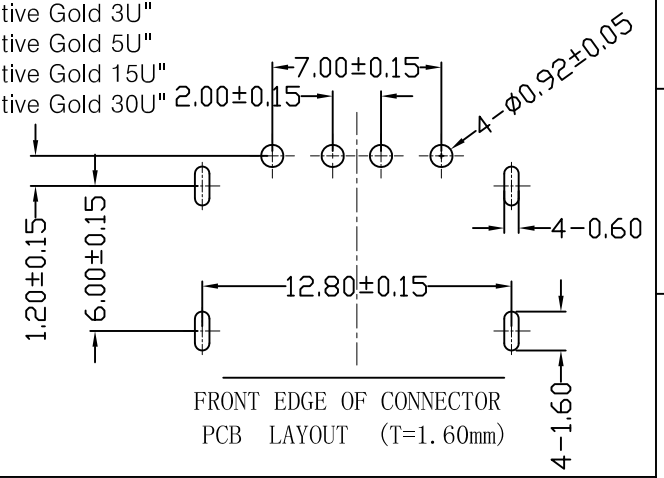


NOTES:

- 1.HOUSING: SEE NOTES, UL94V-0 .
- TERMINAL: SEE NOTES.
- SHELL: SEE NOTES.

SPECIFICATION:

- 1.ELECTRICAL CHARACTERISTIC:
 - CONTACT RESISTANCE: 30MΩ MAX
 - DIELECTRIC WITHSTANDING VOLTAGE: 500V AC FOR 1MIN
 - INSULATION RESISTANCE: 1000MΩ MIN
- 2.MECHANICAL CHARACTERISTIC:
 - INSERTION FORCE: 35N(3.57KGF) MAX
 - EXTRACTION FORCE: 10~35N(1.02~3.57KGF)MIN
 - DURABILITY: 1500 CYCLES EXTRACTION FORCE:10~35N 5000 CYCLES MIN
 - 5000 CYCLES EXTRACTION FORCE:3~35N
- 3.ENVIRONMENTAL:
 - OPERATING TEMPERATURE: -55°C+85°C
- 4.Contact finish:
 - 01:Selective Gold Flash
 - 02:Selective Gold 3U"
 - 03:Selective Gold 5U"
 - 04:Selective Gold 15U"
 - 05:Selective Gold 30U"



产品图 PRODUCT CHART DWG 公差一览表 TOLERANCE UNLESS OTHERWISE				深圳市精拓金电子有限公司						
X.	±0.25	X.	±5.°	单位	MM	制图	Z-Y-B	制图料号	913-361B2025D10100	
.X	±0.20	.X	±2.°	比例	1:1	审核		产品名称	AF10.6E款四脚无边方弹壳反向一型LCP黑胶DIP	
.XX	±0.15	.XX	±1.°	日期	2014.03.24	核准		角法	版本 VER	
.XXX	±0.10	.XXX	±0.5°	APPD				VIEW	AD	