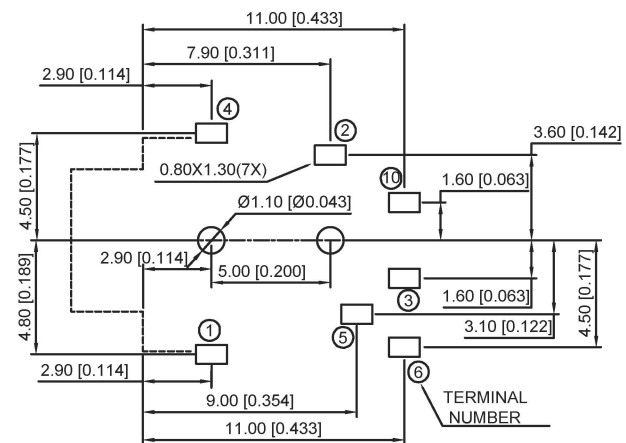


MODEL NO.	PJ-3020	PJ-3021	PJ-3022	PJ-3023
SCHEMATIC				



PCB LAYOUT  
(BOTTOM VIEW)

SPECIFICATION:

1. RATING: DC30V 0.5A;
2. CONTACT RESISTANCE:  $\leq 50\text{m}\Omega$ ;  
AFTER LIFE TEST:  $\leq 100\text{m}\Omega$ ;
3. INSULATION RESISTANCE:  $\geq 100\text{m}\Omega$  (DC250V);  
AFTER LIFE TEST:  $\leq 50\text{m}\Omega$ ;
4. WITHSTAND VOLTAGE: 500V AC
5. INSERTION AND EXTRACTION FORCE: 3-30N;
6. LIFE TEST: 5,000 CYCLES MIN

	MATERIAL	PLATING
terminal 1	Phosphor Bronze	silver
terminal 2	Phosphor Bronze	silver
terminal 3	Phosphor Bronze	silver
terminal 4	Phosphor Bronze	silver
terminal 5	Phosphor Bronze	silver
terminal 6	Phosphor Bronze	silver
terminal 10	Phosphor Bronze	silver
plastic	High Temp. Thermoplastic	

DSND	DATE	SCALE: N/A	MODEL TYPE: 3.5 PHONE JACK
DWN	DATE	VIEW:	PART NO.:
CHKD	DATE	UNIT: mm/in	DWG NO.:
APPD	DATE	SIZE: A4	PJ-302X
XKB INDUSTRIAL PRECISION CO., LIMITED			WEIGHT 1.0g
			SHEET 1/1
			REVISION A0

广东星坤精密股份有限公司

生效日期

MARK	DESCRIPTION	DATE	REVISED	APPROVED	REVISIONS

UNSPECIFIED TOLERANCES

www.helloxkb.com www.helloxkb.com www.helloxkb.com

文件工程章