

ACMA Series
Common Mode Filters For Automotive Signal Line
Size 4532



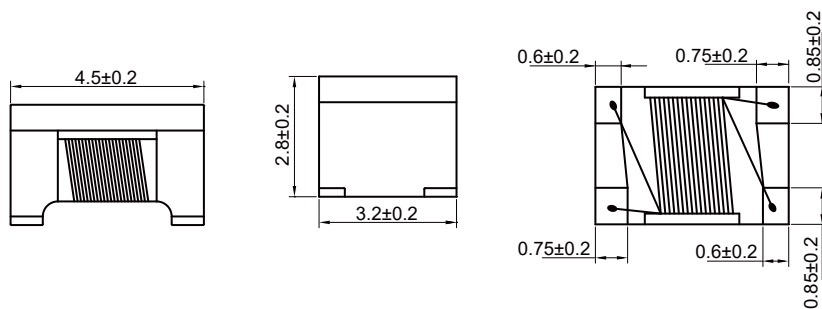
FEATURES

- Compact products, whose characteristics are equivalent to that of conventional products
- Common mode filters for Signal Line
- Operating temperature range: -55 to +150°C
- Compliant with AEC-Q200
- Quantity: 500pcs

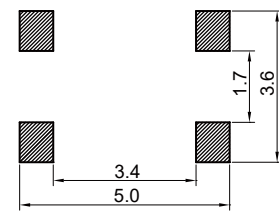
APPLICATION

- CAN-BUS, FlexRay system

Dimensions: [mm]



Land Pattern: [mm]



Electrical Properties:

Part No	Z @ 10 MHz Min. (Ω)	Z @ 10 MHz Typ. (Ω)	L @ 100kHz/0.1V +50%/-30% (μH)	I _r Max. (mA)	R _{DC} Max. (Ω)	V _{DC} (Volts)	IR (MΩ)
ACMA4532-110Y	300	600	11	360	0.6	50	10
ACMA4532-220Y	500	1200	22	310	1.0	50	10
ACMA4532-510Y	1000	2800	51	230	1.0	50	10
ACMA4532-101Y	2000	5800	100	200	2.0	50	10

I_r referring to 20K self-heating above ambient temperature

Typical Electrical Characteristics:

