

EKI-3525

EKI-3528

5-port 10/100Mbps Unmanaged Industrial Ethernet Switch

8-port 10/100Mbps Unmanaged Industrial Ethernet Switch

NEW



Features

- Supports IEEE 802.3az, Energy Efficient Ethernet standard
 - Automatically powers down ports that have no link
 - Budgets power output for different Ethernet cable length
- Support IEEE 802.1p QoS- VIP port setting
 - Ensures time sensitive data gets delivered efficiently, even during bursts of high data traffic.
 - Ensures video streaming through switch with high priority.
- Supports redundant 12 ~ 48 V_{DC} power input and P-Fail relay
- In Loop detection

Introduction

The EKI-3525/3528 are a new generation products with green Ethernet design. They feature green solutions that automatically adjust power consumption by detecting the link status and cable length. Designed with 1/2 "VIP" ports to get optimal bandwidth for media traffics through VIP ports users can experience better performance of multimedia streaming preferred through prioritized bandwidth setting. The devices come with compact metal and plastic housing that is IP40 rated to protect against dusty industrial environments. The wide power input power (8.4 to 52.4 V_{DC}) is dedicated to operate in areas of unstable power and rugged environments. It also provides an event alarm and in the event of a power failure and connection loop, the integrated LED will activate the alarm to notify administrators.

Specifications

Communications

- Standard** IEEE 802.3, 802.3u, 802.3x, 802.1p, 802.3az
- LAN** 10/100Base-T (X)
- Transmission Distance** Up to 100 m
- Transmission Speed** Up to 100 Mbps

Interface

- Connectors** 8 x RJ45 (EKI-3528) or 5 x RJ45 (EKI-3525)
6-pin removable screw terminal (power & relay)
- LED Indicators** P1, P2, P-Fail, Loop detection
10/100T (X): Link/Activity, Speed

Switch Properties

- MAC Table Size** 2K
- Packet Buffer Size** 384K bit (EKI-3525)
768K bit (EKI-3528)
- Switch Fabric Speed** 1.0Gbps (EKI-3525)
1.6Gbps (EKI-3528)

Power

- Power Consumption** EKI-3525: Max. 2.4 W
EKI-3528: Max. 2.5 W
- Power Input** 12 ~ 48 V_{DC}, redundant dual inputs
- Fault Output** 1 Relay Output

Mechanism

- Dimensions (W x H x D)** 28.5 x 120 x 85.3 mm (1.02" x 4.73" x 3.35") - EKI-3525
44.5 x 120 x 85.3 mm (1.75" x 4.73" x 3.35") - EKI-3528
- Enclosure** IP40, plastic and metal shell with solid mounting kits
- Mounting** DIN-rail, Wall

Protection

- Reverse Polarity** Present
- Overload current** Present

Environment

- Operating Temperature** -10 ~ 60°C (14 ~ 140°F)
- Storage Temperature** -40 ~ 85°C (-40 ~ 185°F)
- Operating Humidity** 5 ~ 95% (non-condensing)
- Storage Humidity** 0 ~ 95% (non-condensing)
- MTBF** 1,516,457 hours (EKI-3528)
1,567,102 hours (EKI-3525)

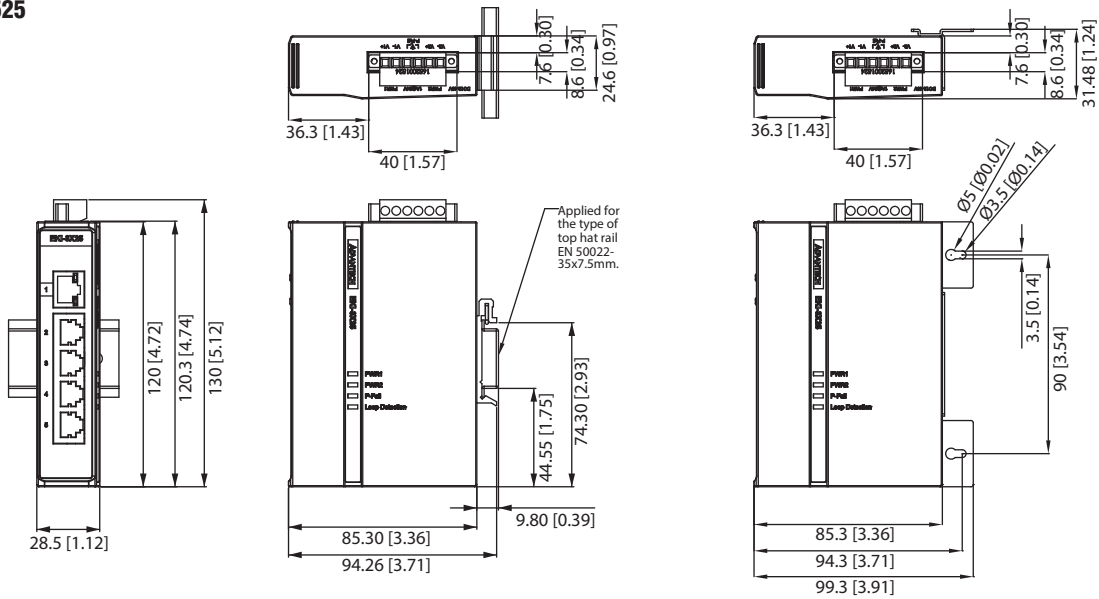
Certification

- Safety** UL 60950-1, CAN/CSA-C22.2 No.60950
- EMI** FCC Part 15 Subpart B Class A, EN 55011/ 55022 Class A
- EMS** EN 61000-4-2 (Level 3)
EN 61000-4-3 (Level 3)
EN 61000-4-4 (Level 4)
EN 61000-4-5 (Level 3)
EN 61000-4-6 (Level 3)
EN 61000-4-8 (Level 4)
- Shock** IEC 60068-2-27
- Freefall** IEC 60068-2-32
- Vibration** IEC 60068-2-6

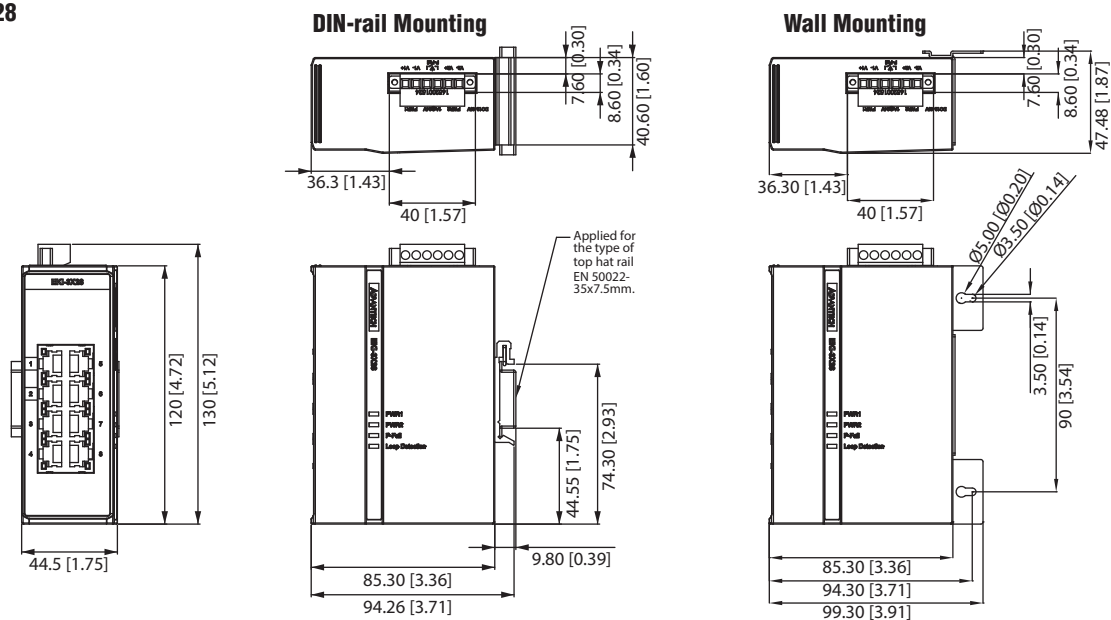
Dimensions

Unit: mm [inch]

EKI-3525



EKI-3528



Ordering Information

- **EKI-3525** 5-port 10/100Mbps Unmanaged Industrial Ethernet Switch
- **EKI-3528** 8-port 10/100Mbps Unmanaged Industrial Ethernet Switch