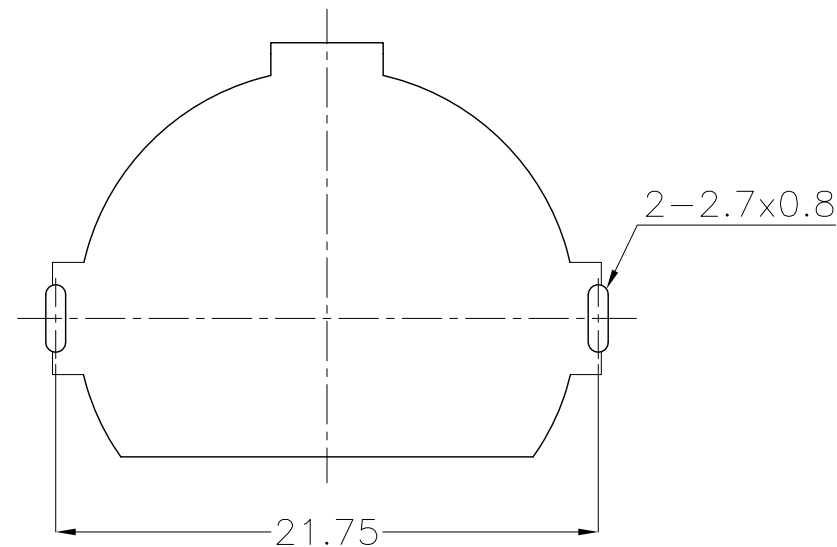
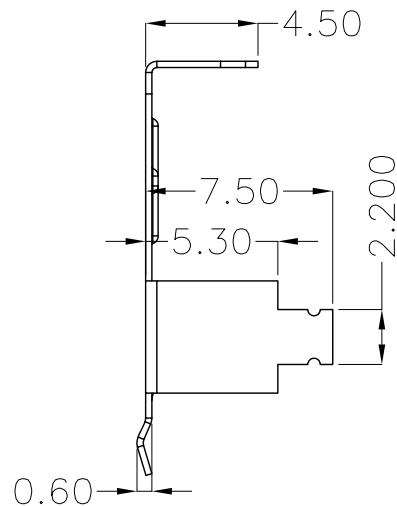
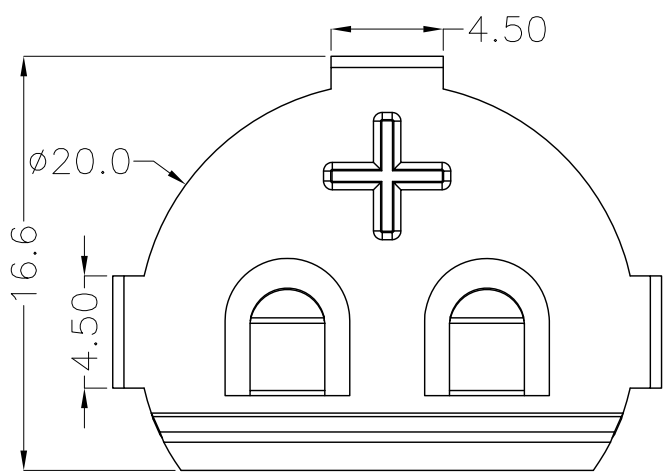
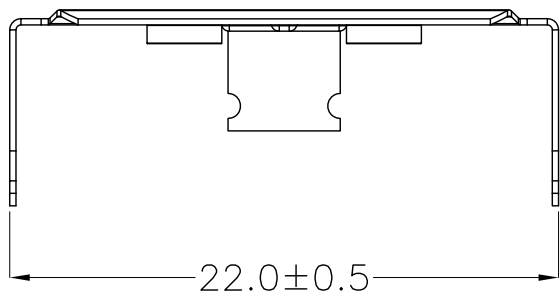




| | | | |
|------|---------|---------|------|
| REV. | ECN NO. | REVISED | DATE |
| | | | |



PCB Layout Diagram
Top View



工程部
2018-10-26
LQ. HUANG

| | | | | | |
|--|---------------------------------|---|-------------|-------|------------|
| UNLESS OTHERWISE SPECIFIED TOLERANCES | | MYOUNG 美阳 www.meiyangdz.com | | | |
| DECIMALS: X :±0.30 X.X :±0.25 X.XX :±0.20 X.XXX :±0.10 | ANGLES: X :±1° X.X :±0.5° | DSND | YangFeng | DATE | 2018-10-26 |
| WEIGHT: 9 | | CHKD | ZhouRuicai | DATE | 2018-10-26 |
| SHEET 1 OF 1 | | APVD | XueShunyong | DATE | 2018-10-26 |
| TITLE: | | SCALE: | 4:1 | SIZE: | A4 |
| PART NO.: | | VIEW: | | | |
| DRAW NO.:MY-CP-0159 | | UNIT: | mm | REV.: | A/0 |
| | | OBJECT: | MY | | |

| | | | | |
|-----|-------------|------|---------------------------|-----------------|
| 1 | TERMINAL(+) | 1 | PHOSPHOR BRONZE, T=0.25mm | Ni-Plating |
| NO. | PART NAME | Q'TY | MATERIAL | PLATING & COLOR |