

Series AMLBW-Z

Up to 700mA | Step Up LED Driver



FEATURES:

- Step UP DC/DC LED driver
- Constant current output
- High efficiency up to 94%
- Soft Start
- Operating Temperature 40°C to +85°C
- Open and Short circuit LED Protection
- 2"x1" case package
- Drives LED strings of to up 48V
- PWM/Digital and Analog Voltage dimming

Models Single output



Model	Input Voltage (V)	Output Voltage (V) Vo-Vin≥5V	Maximum Rated Current (mA)	Max Capacitive load (μF)	Efficiency (%)	Ripple & Noise (mV p-p)
AMLBW-3615Z	9-36	14-48	150	100	90	350
AMLBW-3625Z	9-36	14-48	250	100	92	450
AMLBW-3630Z	9-36	14-48	300	100	92	450
AMLBW-3635Z	9-36	14-48	350	100	92	600
AMLBW-3650Z	9-36	14-45 (Vin:9V-18V) 23-48 (Vin: 18V-36V)	500	47	93	650
AMLBW-3660Z	9-36	14-38 (Vin:9V-18V) 23-48 (Vin: 18V-36V)	600	47	93	650
AMLBW-3670Z	9-36	14-32 (Vin:9V-18V) 23-48 (Vin: 18V-36V)	700	47	94	700

NOTE: All specifications in this datasheet are measured at an ambient temperature of 25°C, humidity<75%, nominal input voltage and at rated output load unless otherwise specified.

Input Specifications

Parameters	Nominal	Typical	Maximum	Units
Voltage range		9-36		VDC
Filter		Capacitor		
Absolute Maximum Rating			38	VDC
Peak Input Voltage time			100	ms
DC/DC ON (Leave open if not used)		ON –Open		
DC/DC OFF		OFF(shutdown) – 0V		
Remote pin drive current	V _{ON/OFF} ≤ 3V		<1.5	μA
Quiescent Input Current in Shutdown mode	(Vin : 9V-32V)		1.3	mA
	(Vin : 32V-36V)		8	
Analog and PWM Dimming Control(Leave open if unused) (DIM)		Absolute Maximum Ratings: 8V		
Analog DIM input voltage rang		0.4 to 1.7		V
Analog Adjust Output Current		0-100		%
DIM Pin Drive Current	0.3≤V _{dim} ≤1.3V	<1.5		μA
PWM Control Voltage Range Limits		1.7≤V _{dim} ≤5.0		V
PWM Recommended Operating Frequency		100Hz-100KHz		
PWM Adjust Output Current		0-100		%

Output Specifications

Parameters	Conditions	Typical	Maximum	Units
Current accuracy		±5		%
Output Voltage range	See model table	14-48		VDC
Output current	V _{out} -V _{in} ≥5V	See model table		
Short Circuit protection		Automatic Recovery (Cut-off Output)		
Over Voltage Protection			52.5	Vdc
Under Voltage Protection	Cool Start	≤7.6V		
Soft Start Time			50	ms
Temperature coefficient		±0.03		%/°C
Ripple & Noise	20MHz Bandwidth	See model table		

General Specifications

Parameters	Conditions	Typical	Maximum	Units
Operating frequency	Depending on the model	360-380		KHz
Operating temperature	AMLBW-3615Z	-40 to +85		°C
	AMLBW-3625Z; AMLBW-3630Z	-40 to +80 (Vin 9-18V) / -40 to +85 (Vin 18-36V)		
	AMLBW-3635Z	-40 to +75 (Vin 9-18V) / -40 to +85 (Vin 18-36V)		
	AMLBW-3650Z	-40 to +70 (Vin 9-18V) / -40 to +80 (Vin 18-36V)		
	AMLBW-3660Z; AMLBW-3670Z	-40 to +70 (Vin 9-18V) / -40 to +75 (Vin 18-36V)		
Storage temperature		-55 to +125		°C
Maximum case temperature			100	°C
Thermal Impedance	Depending on the model	+13.7 to +17		°C/W
Cooling	Free air convection			
Humidity			95	% RH
Case material	Non-Conductive Black Plastic (UL94-V0 rated)			
Weight		38		g
Dimensions (L x W x H)		2.03 x 1.03 x 0.62 inches	51.50 x 26.10 x 15.80 mm	
MTBF		> 860 000hrs (MIL-HDBK-217 F at +25 °C/Vin=9V,Vout=38V)		
Maximum Soldering Temperature	1.5mm from case for 10sec.		260	°C

NOTES:

- To prevent burning out the driver, the output voltage must be 5.0VDC higher than the input voltage
- Do NOT exceed the maximum power ratings on each model
- With output ripple being rather low, it is recommended not to increase the additional output capacitor so as not to increase the delay while starting up under cool start conditions
- This series offers protection in case the output is shorted. After the short occurs, the input current will be cut off and recovers when the short is removed
- The reference value of under voltage protection (7.6V) means that under the condition of cool start and full discharge of output, the protection starts when input voltage is lower than 7.6V
- Note: PWM dimming means PWM signals are converted into mimic analog voltage by internal circuits and then do the dimming. The advantage of this approach is to reduce the EMI

Safety Specifications

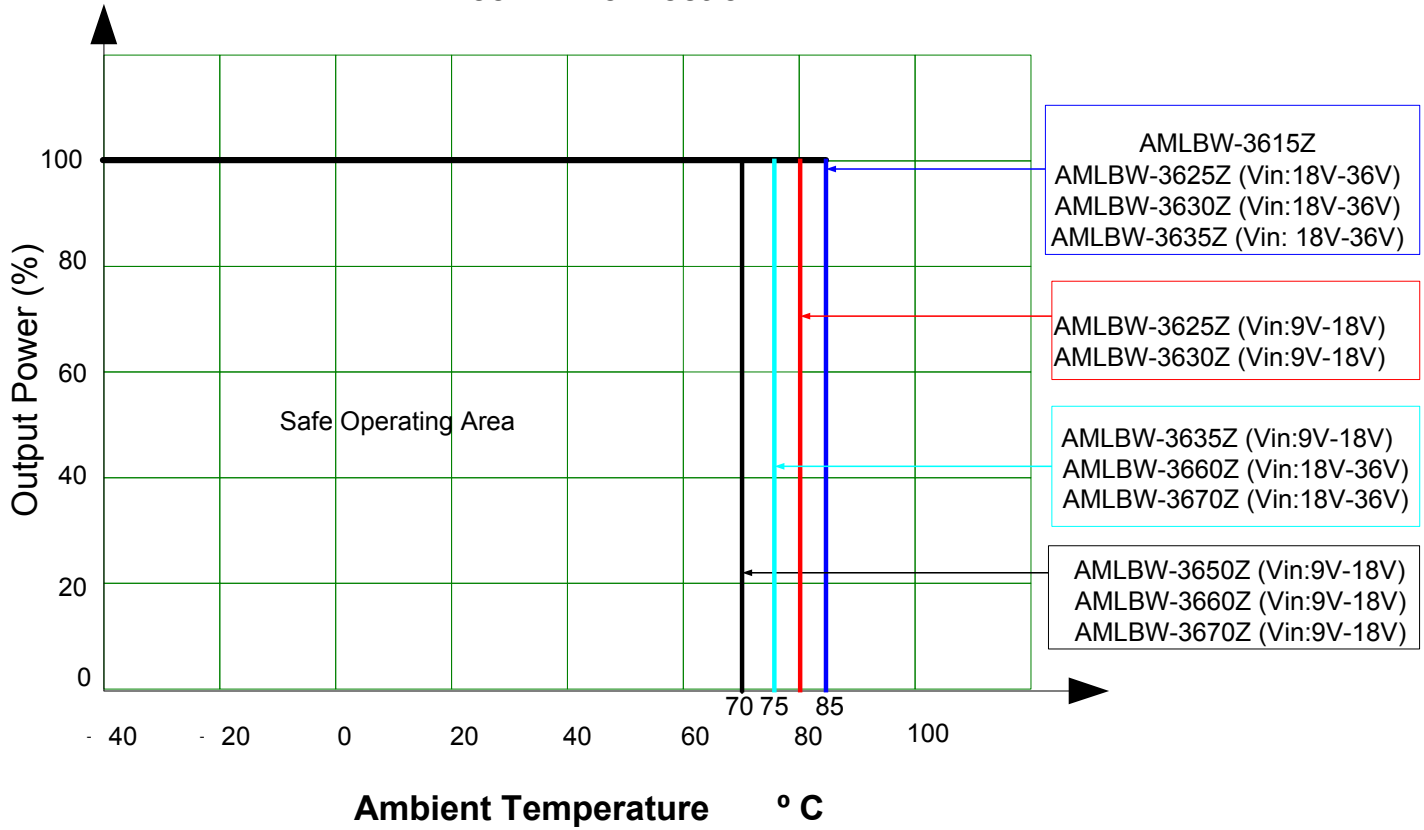
Parameters	
Standards	EMI: Designed to meet EN 55022 Class B Safety : Designed to meet IEC/EN 60950-1 , UL8750, IEC/EN 61347-2-13

Pin Out Specifications

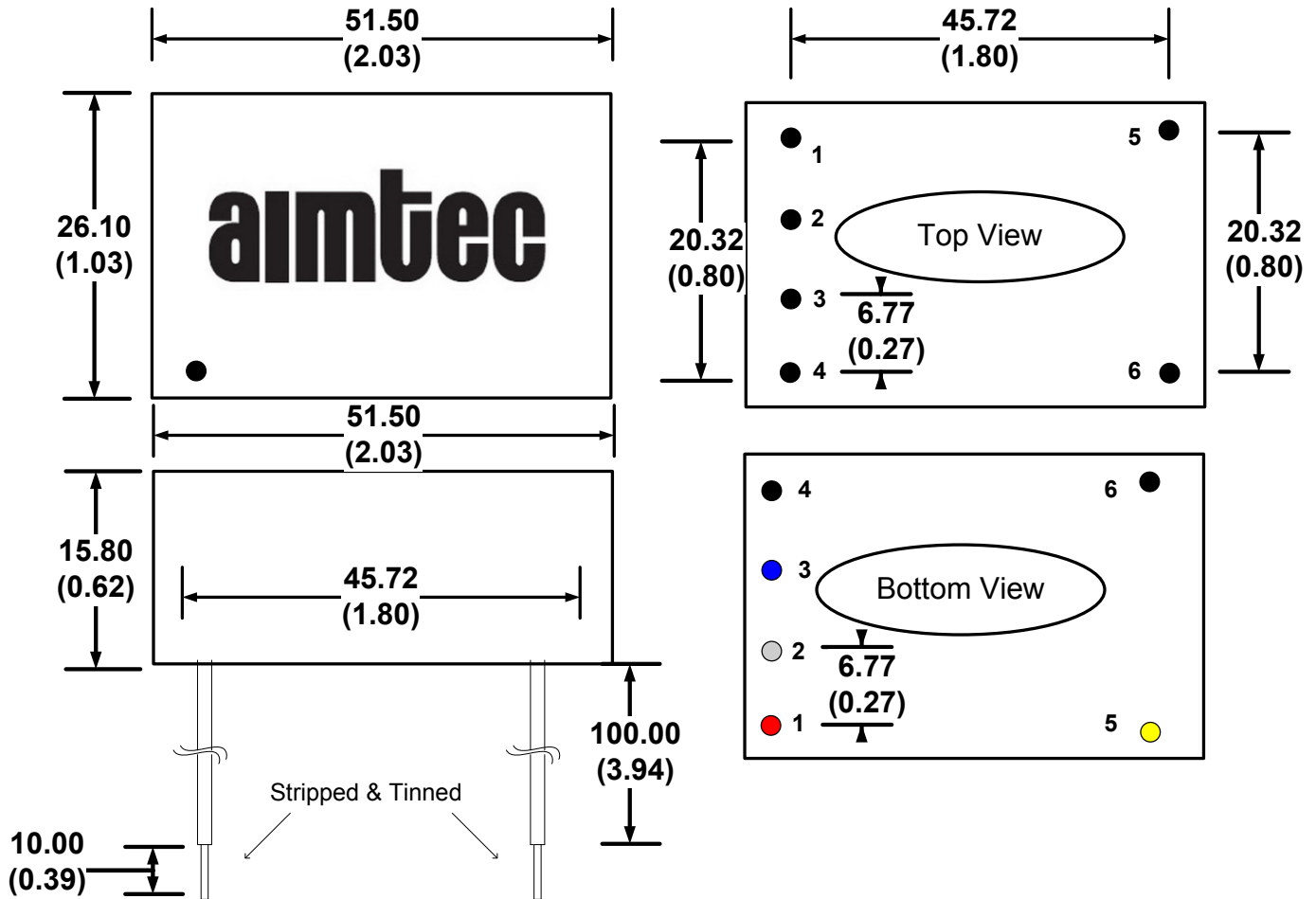
Pin	Single	
1(Red)	+Vi	+ DC Supply
2(White)	DIM	PWM/Analog Dimming Control
3(Blue)	EN	Remote ON/OFF
4(Black)	-Vi	-DC Supply
5(Yellow)	+LED	LED Anode connection
6(Black)	-LED	LED Cathode connection

Operating Temperature

Free Air Convection



Dimensions

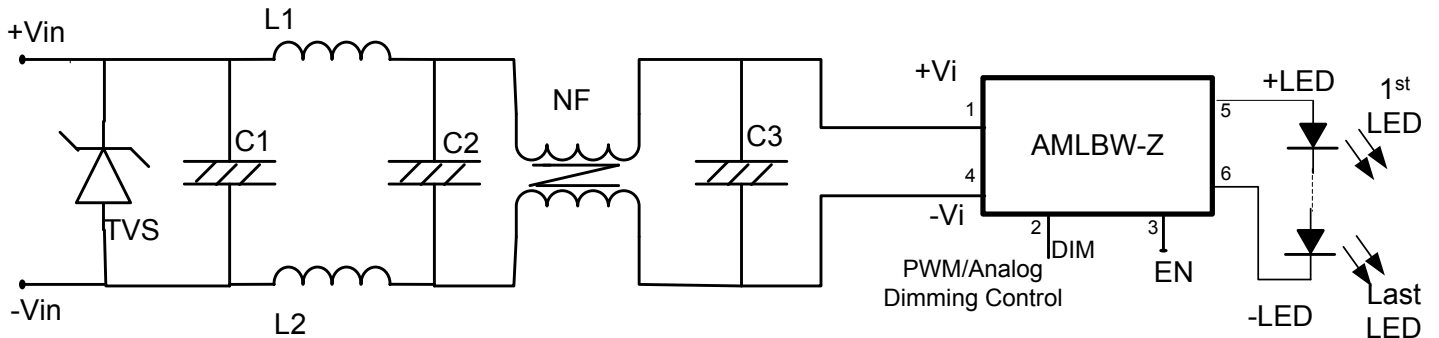


*Lead Wires are under the specifications of general lamps:
*Wire is UL 1015/CSATEM listed #22AWG / 600V / 105°C

Mechanical Tolerances

Wire Core Diameter $0.80 \pm 0.1 (0.031 \pm 0.004)$ & $1.40 \pm 0.1 (0.055 \pm 0.004)$
Wire Outside Diameter $2.4 \pm 0.1 (0.094 \pm 0.004)$ & $2.7 \pm 0.1 (0.106 \pm 0.004)$
Wire Length: $100 + 10$ stripped & tinned = $110 \pm 5 (4.33 \pm 0.197)$ total
Case Tolerance: $\pm 0.50 (\pm 0.02)$

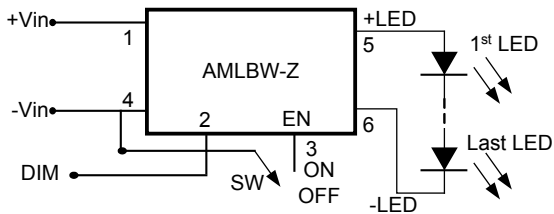
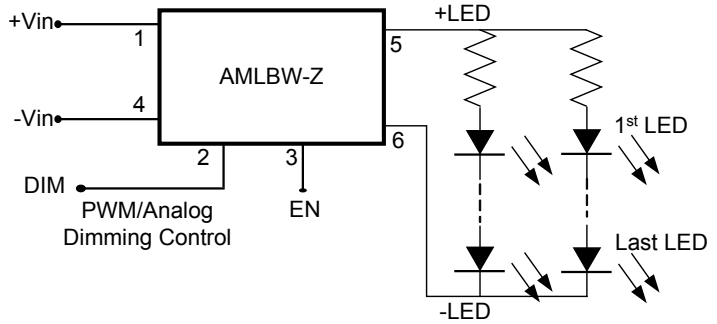
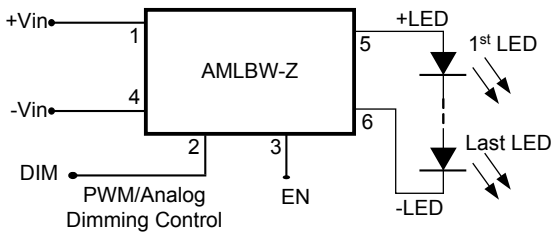
EN55022 Class B Filter Suggestion:



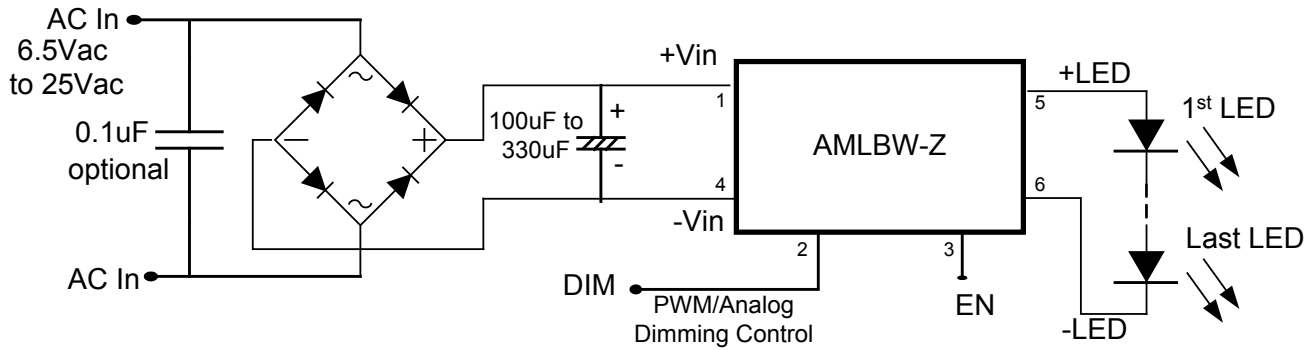
C1 → 47uF/100V
C2 → 330uF/100V
C3 → 330uF/100V
TVS → 38V

L1 → 13.3uH/4A
L2 → 13.3uH/4A
NF → 3.9mH/4A (Command Choke)

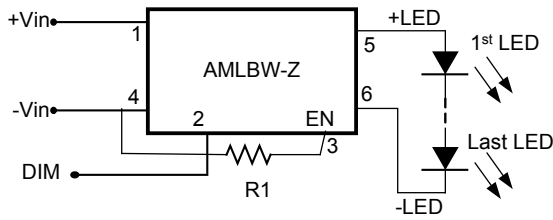
Application circuit examples:



SW	Vout
ON	0V
OFF	normal



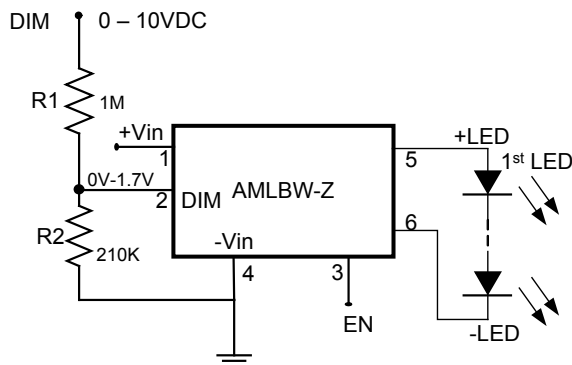
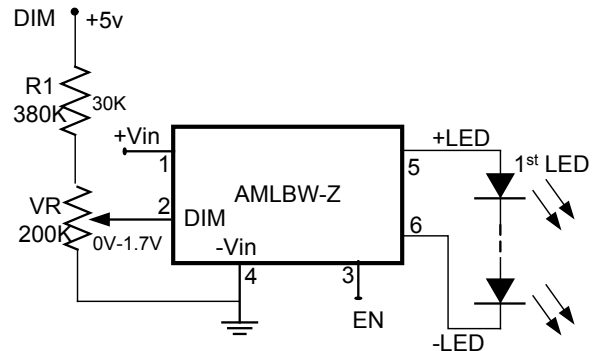
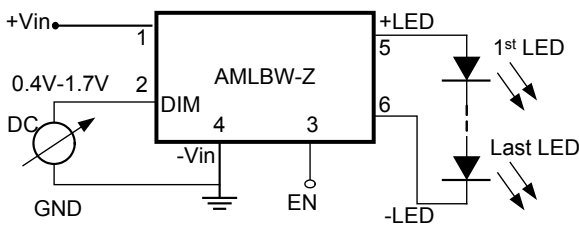
Under Voltage Protection



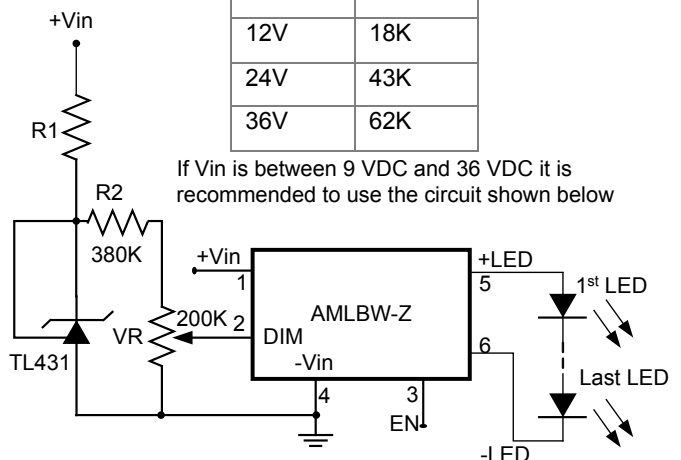
*R1 Value only supplies the reference

R1	Under Voltage Protection
X	7.6V
12K	10.8V
10K	11.6V
7.5K	13.0V
4.7K	16.5V
3.3K	21.0V
2.7K	24.1V
2.4K	26.2V
2.0K	29.8V
1.8K	32.4V

Output Current Adjustment by External DC Control Voltage (VCTRL):



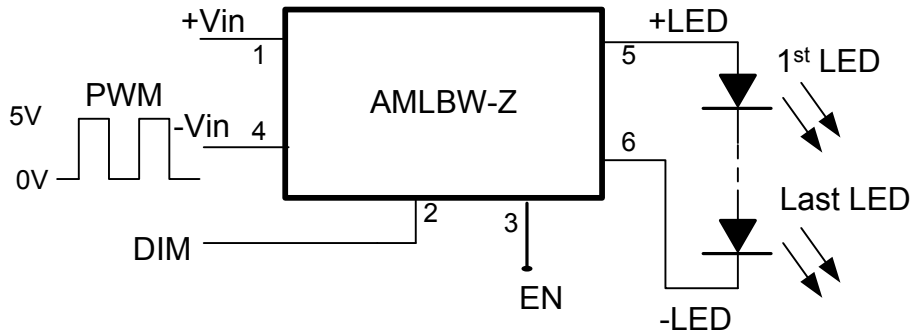
Vin	R1
5V	4.7K
12V	18K
24V	43K
36V	62K



If Vin is between 9 VDC and 36 VDC it is recommended to use the circuit shown below

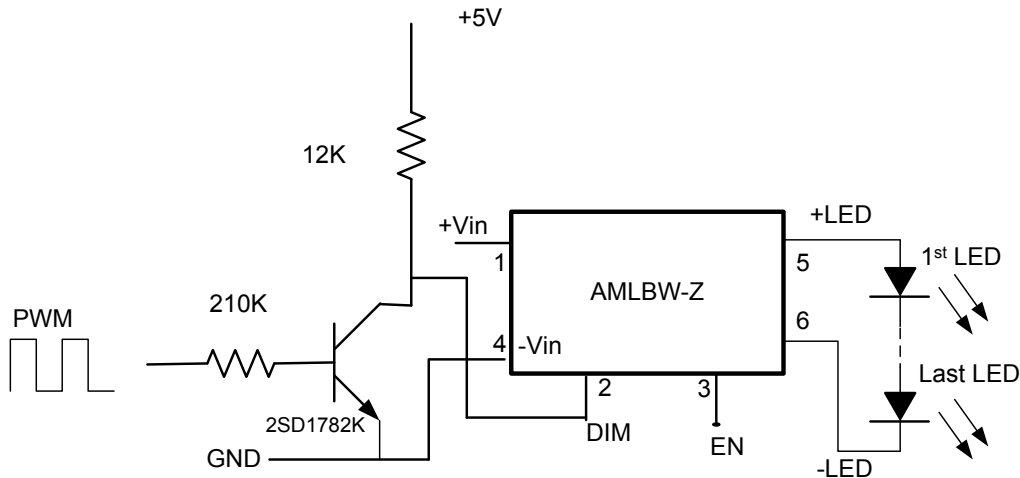
Output Current Adjustment by PWM Control:

A Pulse Width Modulation (PWM) signal with a duty cycle DPWM can be applied to the DIM pin as shown below.



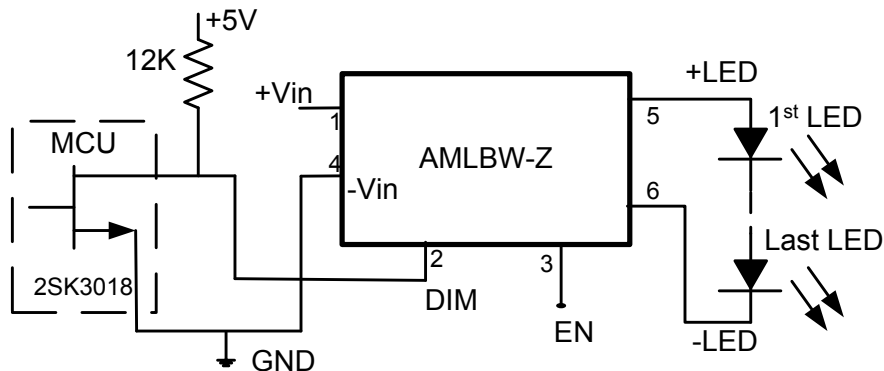
Driving DIM Via Open Collector Transistor

The DIM pin can also be driven via an open collector transistor as shown below.



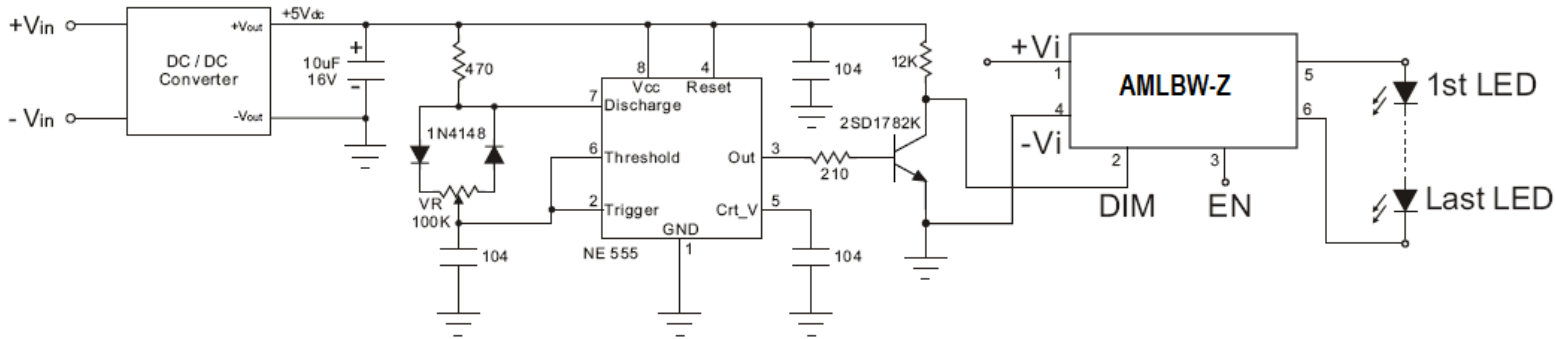
Driving the VADJ from a Microcontroller

The DIM can be driven from an open drain output of a microcontroller as shown below.

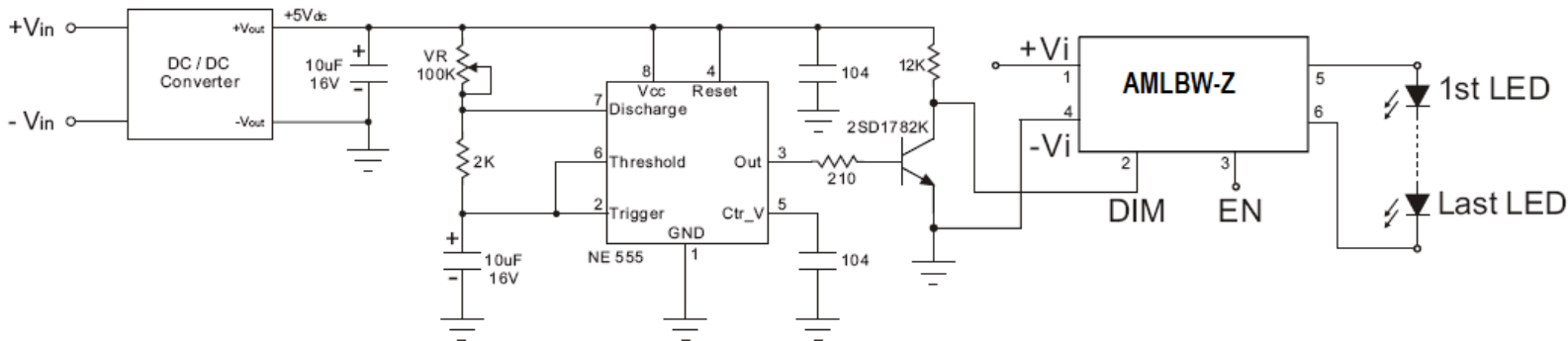


Output Current Adjustment by PWM Control (Dimming):

A PWM signal must have a frequency of greater than 100Hz to prevent any visible flicker.



Output Current Adjustment by PWM Control (Flash):



NOTE: 1. Datasheets are updated as needed and as such, specifications are subject to change without notice. Once printed or downloaded, datasheets are no longer controlled by Aimtec; refer to www.aimtec.com for the most current product specifications. 2. Product labels shown, including safety agency certifications on labels, may vary based on the date manufactured. 3. Mechanical drawings and specifications are for reference only. 4. All specifications are measured at an ambient temperature of 25°C, humidity<75%, nominal input voltage and at rated output load unless otherwise specified. 5. Aimtec may not have conducted destructive testing or chemical analysis on all internal components and chemicals at the time of publishing this document. CAS numbers and other limited information are considered proprietary and may not be available for release. 5. This product is not designed for use in critical life support systems, equipment used in hazardous environments, nuclear control systems or other such applications which necessitate specific safety and regulatory standards other than the ones listed in this datasheet.