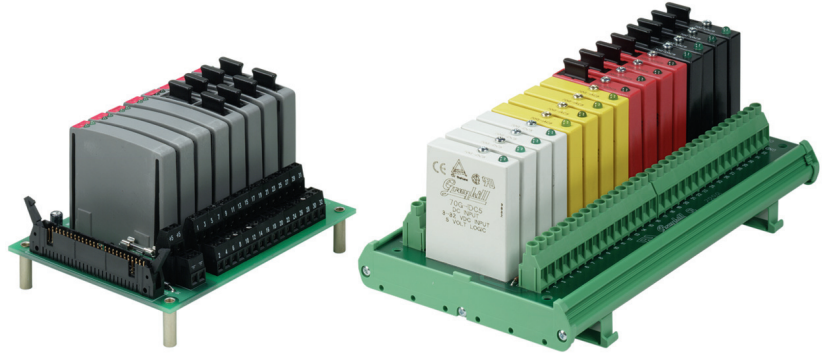


RACKS

16 Channel

FEATURES

- For use with System 50 Style Controllers
- Available for Standard, Miniature, G5 and OpenLine® Modules
- Panel and DIN Rail Mount Versions
- UL, CSA Certified

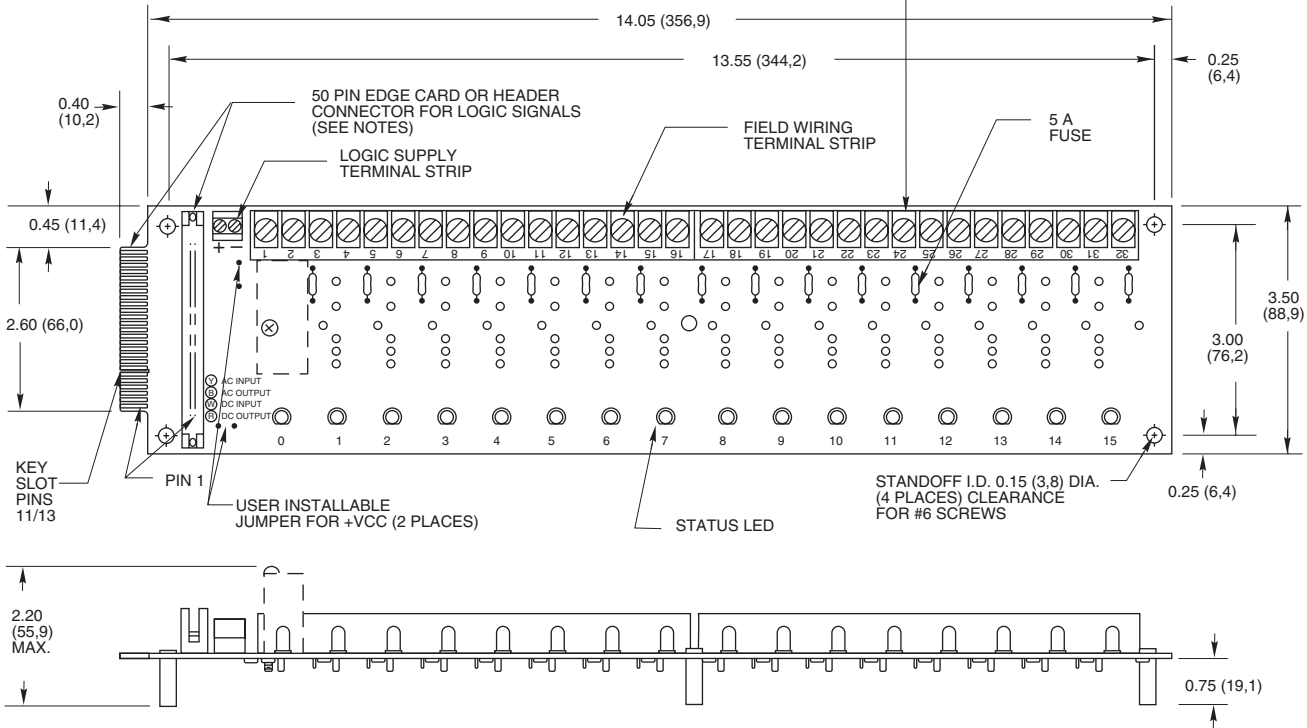


16 CHANNEL RACK: Standard

Part No. 70RCK16

Dimensions are shown in inches (and millimeters).
All tolerances are ± 0.010 (0,25) unless otherwise specified.

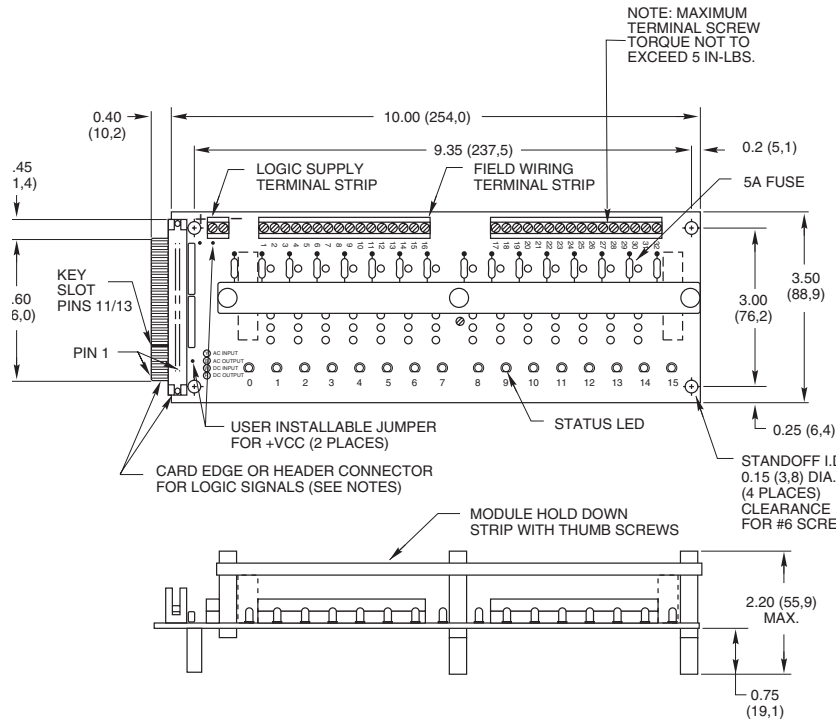
NOTE: MAXIMUM TERMINAL SCREW TORQUE NOT TO EXCEED 5 IN-LBS.



16 CHANNEL RACK: Miniature

Part No. 70MRCK16

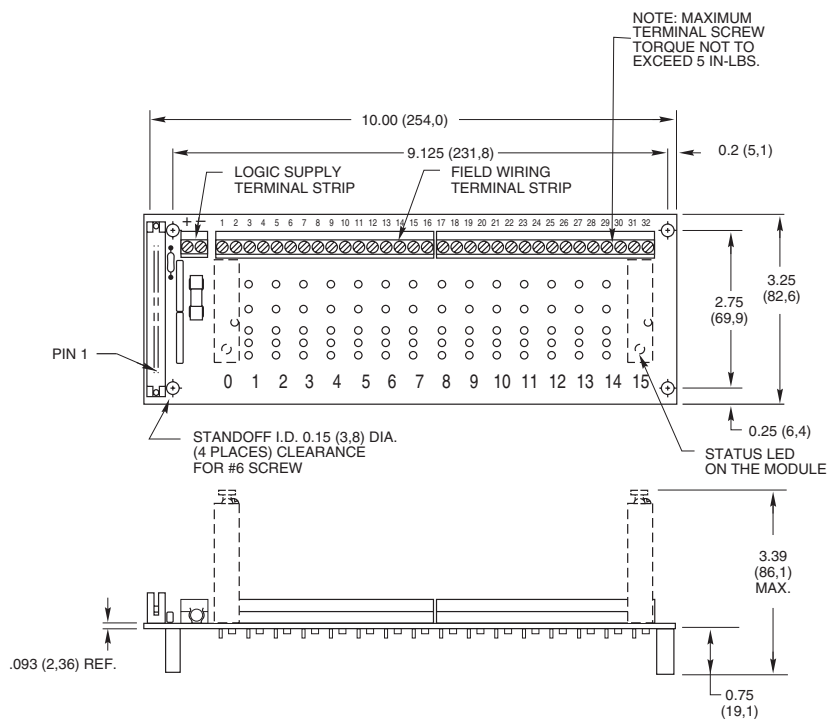
Dimensions are shown in inches (and millimeters).
All tolerances are ± 0.010 (0,25) unless otherwise specified.



16 CHANNEL RACK: G5

Part No. 70GRCK16

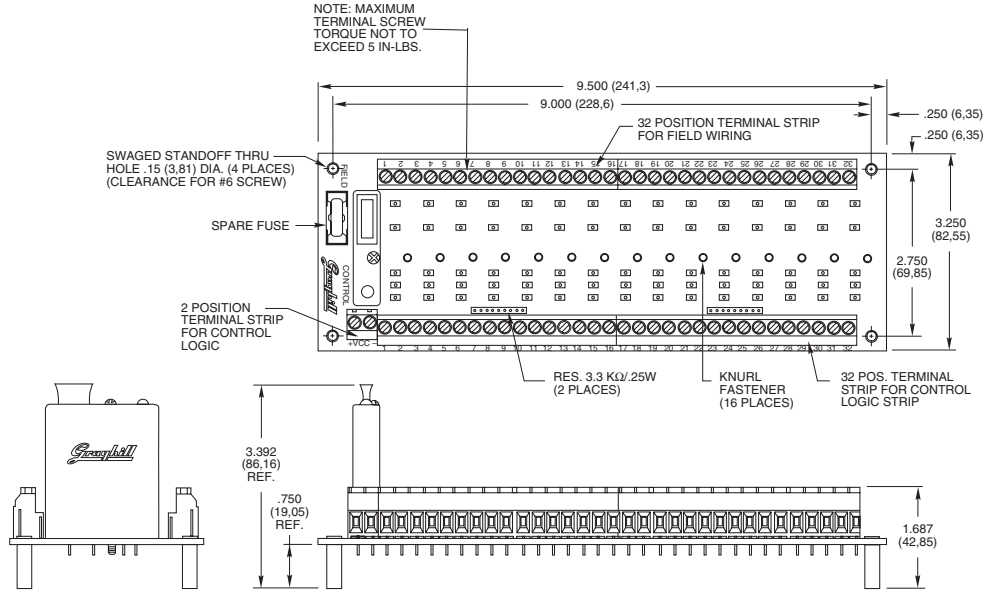
Dimensions are shown in inches (and millimeters).
All tolerances are ± 0.010 (0,25) unless otherwise specified.



System 50

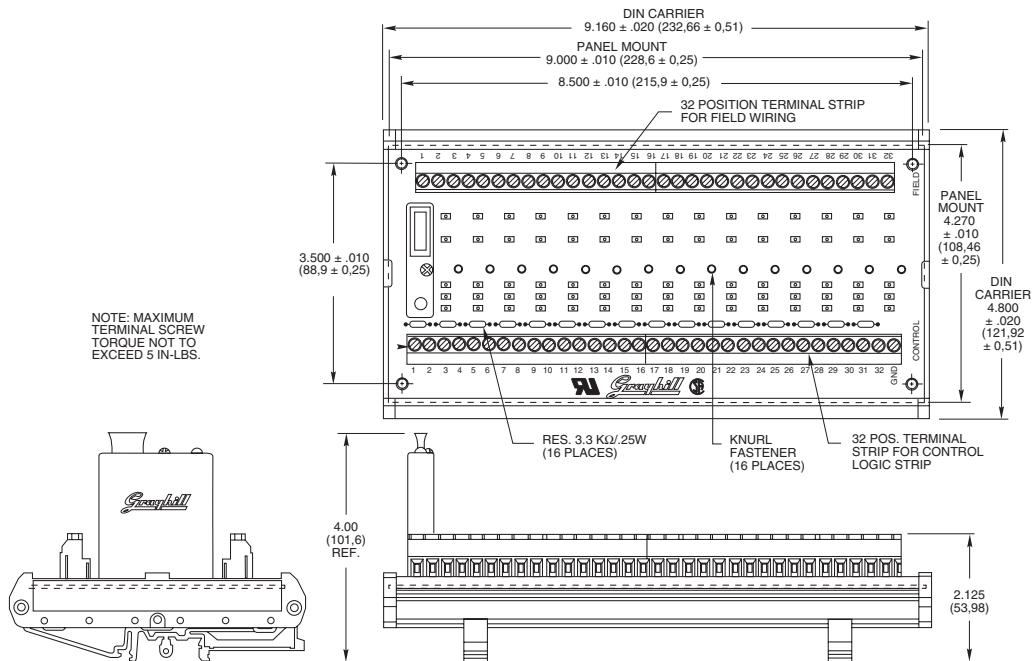
16 CHANNEL RACK: G5 Control and Field Connection Terminal Blocks

Part No. 70GRCK16T
 Dimensions are shown in inches
 (and millimeters).
 All tolerances are ± 0.010 (0,25)
 unless otherwise specified.



16 CHANNEL RACK: G5 Channel-to-Channel Isolation

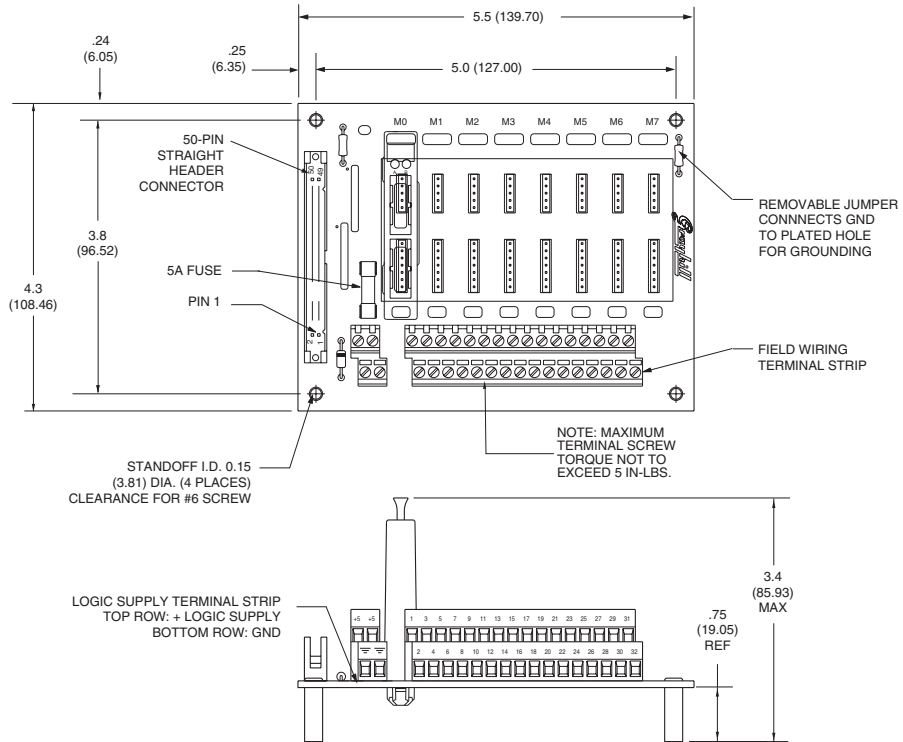
Part No. 70GRCK16I and 70GRCK16I-DIN
 Dimensions are shown in inches
 (and millimeters).
 All tolerances are ± 0.010 (0,25)
 unless otherwise specified.



16 CHANNEL RACK: OpenLine® for System 50

Part No. 70LRCK16-HL

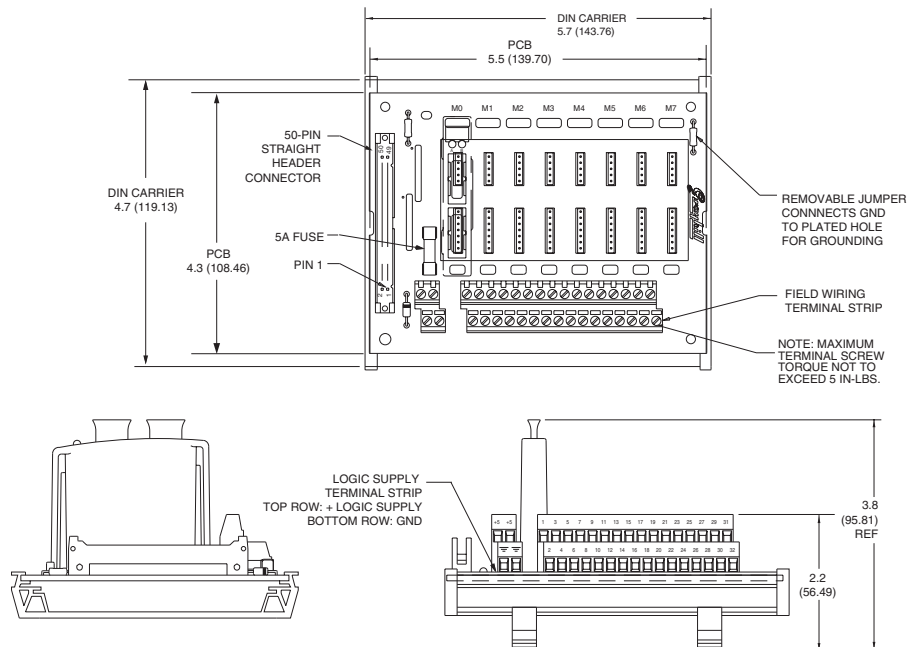
Dimensions are shown in inches (and millimeters).
All tolerances are ± 0.010 (0,25) unless otherwise specified.



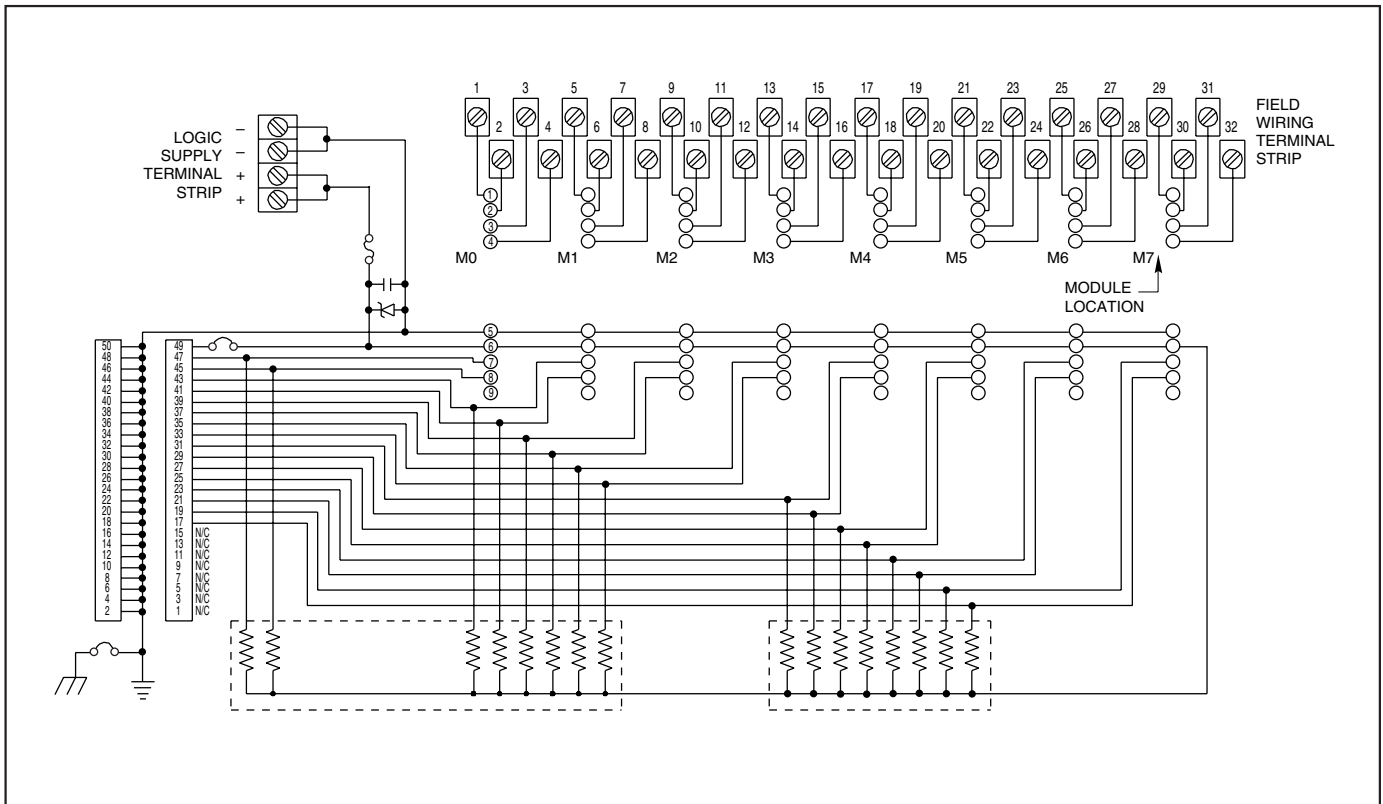
16 CHANNEL RACK: OpenLine® w/ DIN Rail Mount for System 50

Part No. 70LRCK16-DIN

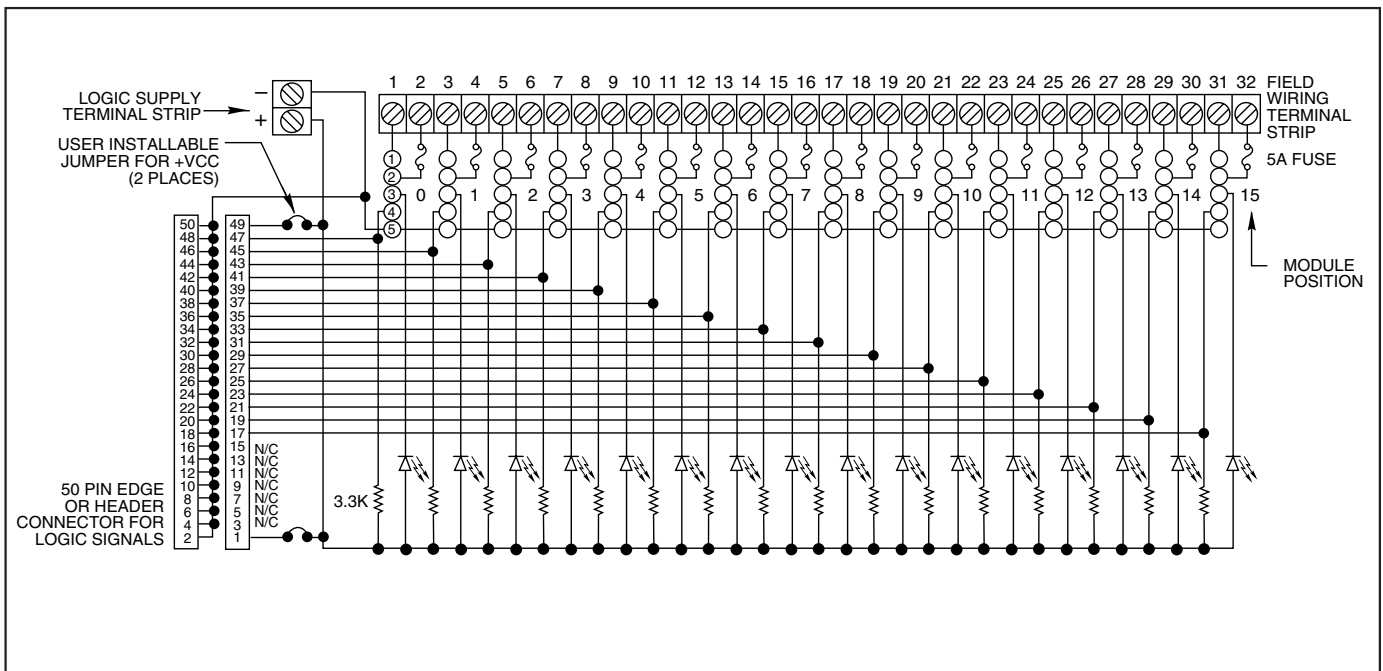
Dimensions are shown in inches (and millimeters).
All tolerances are ± 0.010 (0,25) unless otherwise specified.



SCHEMATIC: Part No. 70LRCK16-HL, -DIN



SCHEMATIC: Part Nos. 70RCK16 and 70MRCK16



System 50

ORDERING INFORMATION (modules ordered separately)

Part Number	I/O	Description	UL	CSA	Style
70RCK16	16	Card edge	X	X	Standard
70RCK16-HL	16	50-pin header with ejector levers	X	X	Standard
70MRCK16-EC	16	Card edge	X	X	Mini
70MRCK16-HL	16	50-pin header with ejector levers	X	X	Mini
70GRCK16-HL	16	50-pin header with ejector levers	X	X	G5
70LRCK16-HL	16	50-pin header with ejector levers	X	X	OpenLine®
70LRCK16-DIN	16	50-pin header with DIN rail mnt.	X	X	OpenLine®
70GRCK16I	16	Positive or negative true logic* –Panel Mount	X	X	G5
70GRCK16I-DIN	16	Positive or negative true logic* –DIN rail mount	X	X	G5
70GRCK16T	16	Negative true logic*–Panel Mount	X	X	G5

Available from your local Grayhill Distributor. For prices and discounts, contact a local Sales Office, an authorized local Distributor, or Grayhill.

* Positive true logic applies to output modules only.