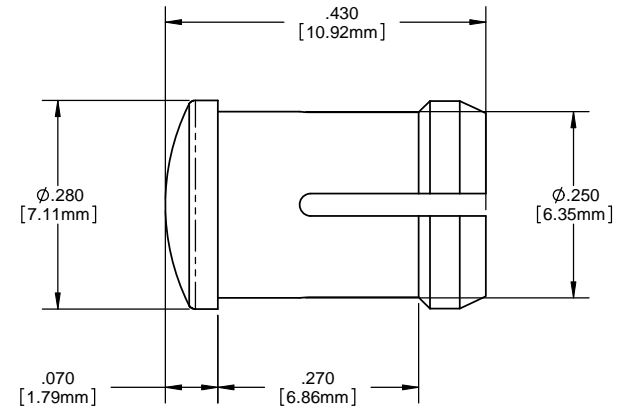
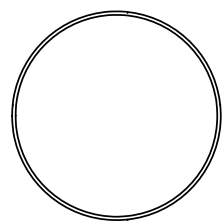
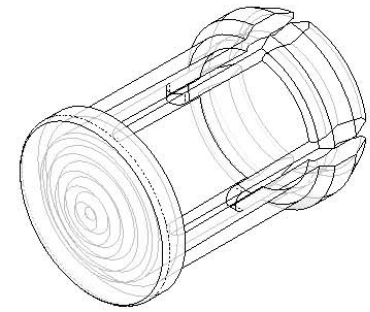
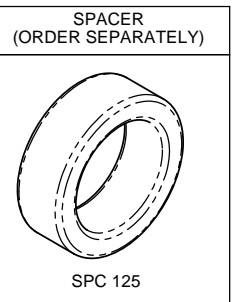


8 7 6 5 4 3 2 1

NOTES:

- MOUNTING:** Mounts in a $\phi .250 \pm .002$ [$\phi 6.35\text{mm} \pm .05$] panel hole on .375 [9.5mm] centers. Panel thickness .031 [.8 mm] to .250 [6.35mm]. Panel hole should be deburred, but not chamfered.
- ASSEMBLY:** Insert lens through panel hole, (for thin panels less than .188 [4.75mm] thick, slide SPC 125 spacer on back of lens), and insert LED into lens.
- MATERIAL:** Polycarbonate, UL 94-V2
GLO Series- Polycarbonate & Acrylic blend
- U.S. & Foreign Pat. Issued & Pend.

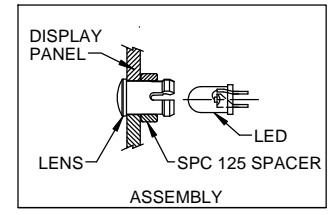
REVISIONS				
ECN#	REV.	DESCRIPTION	DATE	INITIALS
	1	VARIOUS	5-91	JS
	2	ADD GLO SERIES	1-6-09	JG
	3	REMOVE RNG 268, ADD UL RATING TO MATERIAL	9-16-09	AZ
	001	REVISED PER ECR111009AZ01	4-23-10	SMU



ORDERING CODE : **CLB 300 XXX**

MODEL

LENS COLOR	
RTP	RED TRANSPARENT
ATP	AMBER TRANSPARENT
GTP	GREEN TRANSPARENT
BTP	BLUE TRANSPARENT
YTP	YELLOW TRANSPARENT
CTP	CLEAR TRANSPARENT
GLO	WHITE TRANSLUCENT



<small>UNLESS OTHERWISE SPECIFIED DIMENSIONS ARE IN INCHES</small> ANGLES DECIMALS ±1° X ±.020 .XXX ±.010 XXX ±.005 <small>BREAK ALL CORNERS AND SHARP EDGES (R1/16")</small>	MATERIAL	VISUAL COMMUNICATIONS COMPANY, INC. 190 Bosstick Boulevard, Suite 101 San Marcos, CA 92069 USA Phone (760) 560-1300 Fax (760) 560-1301 email vccsales@vccite.com	
	POLYCARBONATE, UL 94-V2	TITLE: 5MM ROUND LOW PROFILE FRESNEL LENS	
FINISH SEE NOTES	APPROVAL DATE	SIZE B	DWG. NO. CLB 300 XXX
THIRD ANGLE PROJECTION <small>THE INFORMATION CONTAINED IN THIS DRAWING IS THE SOLE PROPERTY OF VISUAL COMMUNICATIONS COMPANY, INC. AND IS LOANED TO YOU BY THE COMPANY. IT IS TO BE USED ONLY FOR THE PROJECT AND FOR WHICH IT WAS SUBMITTED. THE COMPANY WILL NOT BE RESPONSIBLE FOR ANY REPRODUCTION IN WHOLE OR IN PART OR AS A SINGLE DETAIL WITHOUT THE WRITTEN CONSENT OF VISUAL COMMUNICATIONS COMPANY, INC.</small>	DRAWN: SMU 4-23-10 CHECKED: DZ 4-23-10 DO NOT SCALE DRAWING	REV 001	SCALE: 1:1 SHEET 1 OF 1

8 7 6 5 4 3 2 1