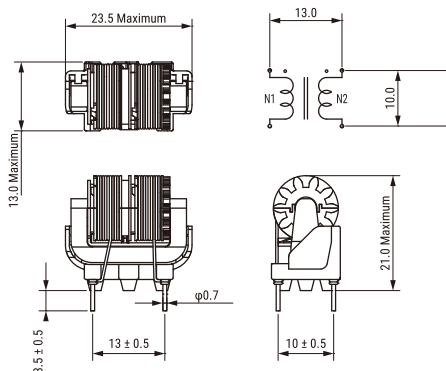


**KEMET Part Number: SSR10VS-04745**  
(UALR10VS047450)

KEMET, SSR10VS/HS, AC Line Filters, Common Mode, 0.0745 H



#### Dimensions

<b>L</b>	23.5mm MAX
<b>T</b>	13mm MAX
<b>H</b>	21mm MAX
<b>LL</b>	3.5mm +/-0.5mm
<b>S</b>	13mm +/-0.5mm

#### Packaging Specifications

<b>Packaging:</b>	Tray
<b>Packaging Quantity:</b>	160
<b>Weight:</b>	9 g

#### General Information

<b>Series:</b>	SSR10VS/HS
<b>Style:</b>	Through-Hole
<b>Features:</b>	Compact Size, Low Profile, Light Weight, High Frequency, Broad Bandwidth
<b>RoHS:</b>	Yes
<b>Miscellaneous:</b>	50 (K) Temperature Rise Max.

#### Specifications

<b>Voltage AC:</b>	250 VAC
<b>Inductance:</b>	74500 uH
<b>Current:</b>	400 mA
<b>Temperature Range:</b>	-25/+120°C
<b>DC Resistance:</b>	2.5 Ohms