

SMT, CCFL Inverter Transformers

Special Features

- Power rating: 6 watts
- Operating frequency: 60KHz +/-25%
- Operating ambient temperature: 0 to +75 °C
- Storage temperature: -40 to +105 °C
- Dielectric withstanding voltage: 1500Vrms
- Packaged: Bulk

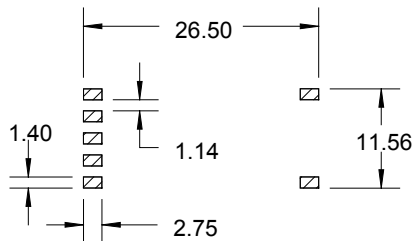
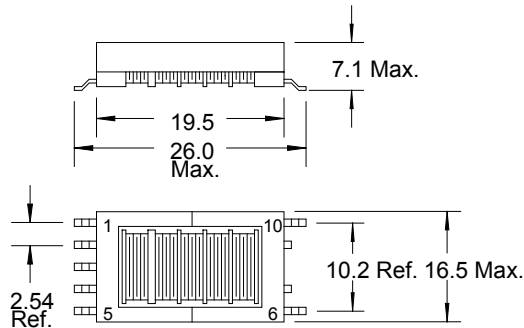
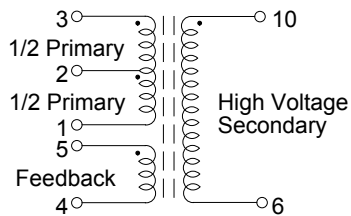
Typical Applications

- LCD flat panel displays
- Notebook / palmtop computers
- Portable instruments
- Retail terminals

Consult engineering for inverter circuit related inductors selection.

| PM61300 Series | | | | | | | |
|----------------|---------------------------|------------------|----------------|------------------|----------------|---------------|-------------|
| Part Number | Primary | | | Secondary | | | Turns Ratio |
| | L (uH) ±10% @ 10KHz | DCR Ω Max. | Voltage (V) | DCR Ω Max. | Voltage (V) | I,rms (mA) | |
| PM61300-1 | 44 | 0.61 | 25 | 132 | 1300 | 70 | 50 |
| PM61300-2 | 44 | 0.82 | 20 | 175 | 1300 | 70 | 67 |
| PM61300-3 | 27 | 1.10 | 15 | 175 | 1300 | 70 | 86 |
| PM61300-4 | 20 | 1.88 | 13 | 175 | 1300 | 70 | 100 |
| PM61300-5 | 20 | 2.34 | 10.5 | 290 | 1300 | 70 | 125 |

Also available as RoHS compliant.



Dimensions: mm

Pad Layout

J.W. Miller
MAGNETICS

306 E. Alondra Blvd. Gardena, CA 90247-1059 • Phone (310) 515-1720 • FAX (310) 515-1962

www.jwmiller.com