



Data Sheet

telephone
949 252 0522

BACK

Product Category: Filters

Series Number	Package	Description	Last Modified
760	Ceramic Filter	10.7 MHz	Jan. 01 2007

Filter FEATURES

- Ceramic Filter for FM Receiver
- Low Loss
- Wide / Narrow Bandwidths
- RoHS Compliant



TECHNICAL CHARACTERISTICS / PART NUMBER GUIDE

Ceramic Filter for FM Receiver

Part Number	3 dB Bandwidth	20 dB Bandwidth	Insertion Loss	Spurious Attenuation (9 ~ 12 KHz)	In/Out Impedance
	KHz min.	KHz max.	dB max.	dB min.	ohm
760-0107-A5	280 ±50	650	6	30	330
760-0107-S2	230 ±50	600	6	40	330
760-0107-S3	180 ±50	520	7	40	330

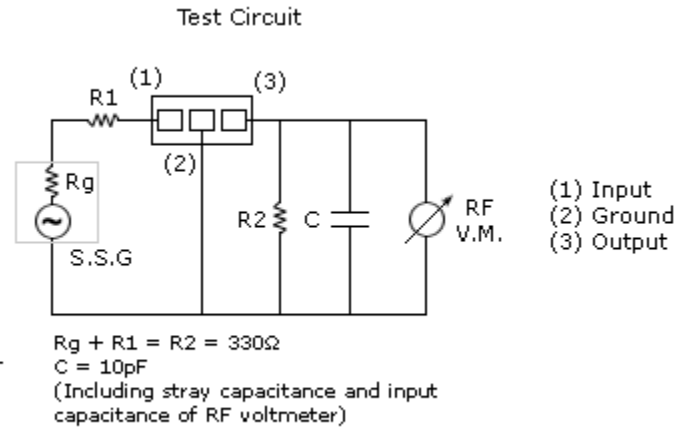
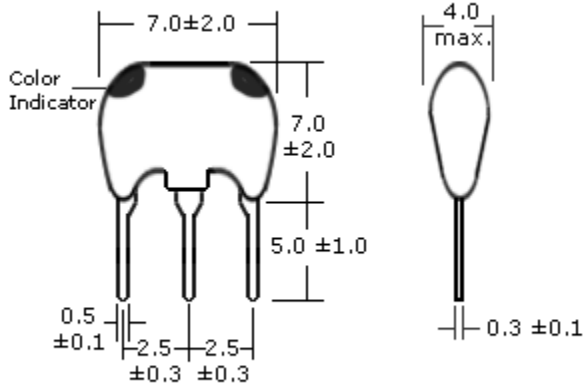
Low-Loss Type Ceramic Filter

Part Number	3 dB Bandwidth	20 dB Bandwidth	Insertion Loss	Spurious Attenuation (9 ~ 12 KHz)	In/Out Impedance
	KHz min.	KHz max.	dB max.	dB min.	ohm
760-0107-A5A10	280 ±50	590	2.5 ±2.0	30	330
760-0107-S2A10	230 ±50	520	3.0 ±2.0	35	330
760-0107-S3A10	180 ±50	470	3.5 ±1.5	35	330
760-0107-JA10	150 ±50	360	4.5 ±2.0	35	330

Wide/Narrow Bandwidth Ceramic Filter

Part Number	3 dB Bandwidth	20 dB Bandwidth	Insertion Loss	Spurious Attenuation (9 ~ 12 KHz)	In/Out Impedance
	KHz min.	KHz max.	dB max.	dB min.	ohm
760-0107-A19	350	950	3.0 ±2.0	20	470
760-0107-A20	330 ±50	680	4.0 ±2.0	30	330
760-0107-HY	110 ±30	350	7.0 ±2.0	30	330
760-0107-FP	20	95	6.0	24(10.7 ±1.0MHz)	600

PACKAGE DIMENSIONS (mm)



Freq	Color Indicator
10.64 MHz $\pm 30\text{kHz}$	Black
10.67 MHz $\pm 30\text{kHz}$	Blue
10.70 MHz $\pm 30\text{kHz}$	Red
10.73 MHz $\pm 30\text{kHz}$	Orange
10.76 MHz $\pm 30\text{kHz}$	White
** Contact Oscilent for Test Circuits	

Oscilent Corporation - CALL **949.252.0522**
 18195 East McDermott Street . Building D . Irvine . CA 92614 . USA
 Fax: 949.252.0599 . E-Mail: Sales@Oscilent.com

Series No.: 760