



MEA-900-L-SM

868/915 MHz ISM/LTE Screw Mount

Part #: 100-00197-01

Description

The MEA-900-L-SM Screw Mount Antenna is a 2-in-1 low profile antenna solution, with a very high-performance ideal for maintaining constant network connectivity. The MEA-900-L-SM covers all Cellular/LTE, and ISM standard frequencies. This is an ideal antenna for telematics systems, remote surveillance, asset tracking and any IOT system applications. The high performance and low profile make this antenna ideal for the most challenging installations

This screw mount antenna is easy to install with maximum durability offering IP67 rated housing and anti-rotation mounting. The MEA-900-L-SM has a two cables with a SMA-Male standard connectors, 3m standard cable length and is fully customizable by offering additional connector types, cable lengths and cable types.



Electrical Specifications

Cable 1 - CELLULAR / LTE Antenna	
Frequency Range	698-960 MHz
Band	700/850/900 MHz
Return Loss	-11.4 dB
VSWR	2.1:1
Efficiency	31.5%
Peak Gain	0.7 dBi
Average Gain	-5.0 dB
Frequency Range	1710-2170 MHz
Band	1700/1800/1900/2100 MHz
Return Loss	-7.8 dB
VSWR	2.4:1
Efficiency	30.4%
Peak Gain	2.7 dBi
Average Gain	-5.2 dB
Frequency Range	2500-2700 MHz
Band	2600 MHz
Return Loss	-19.4 dB
VSWR	1.3:1
Efficiency	43.8%
Peak Gain	4.3 dBi
Average Gain	-3.6 dB
Impedance	50 Ω
Polarization	Linear
Radiation Pattern	Omni-Directional
Max. Input Power	25 W

Features

- 2 in 1 antenna: Cellular/LTE (698-960, 1710-2170 and 2500-2700 MHz) , and 868/915 MHz ISM (863-870 and 902-928 MHz)
- Ultra-Wide band antenna
- High performance
- Easy mounting: Screw Mount
- Low Profile: 80 x 76 x 13 mm
- Ground Plane Independent
- IP67
- Customizable Cable and Connector

Applications

- IoT applications
- Telematic
- Navigation
- Satellite Communications
- LTE applications



Maxtena Inc.
7361 Calhoun Place, Suite 102
Rockville, MD 20855
1-877-629-8362
info@maxtena.com

www.maxtena.com

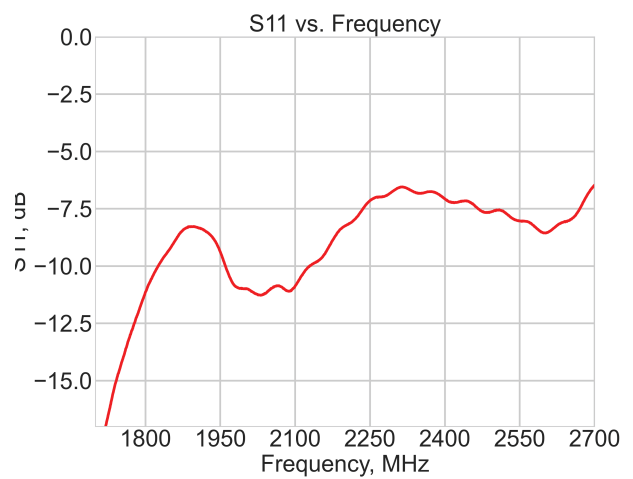
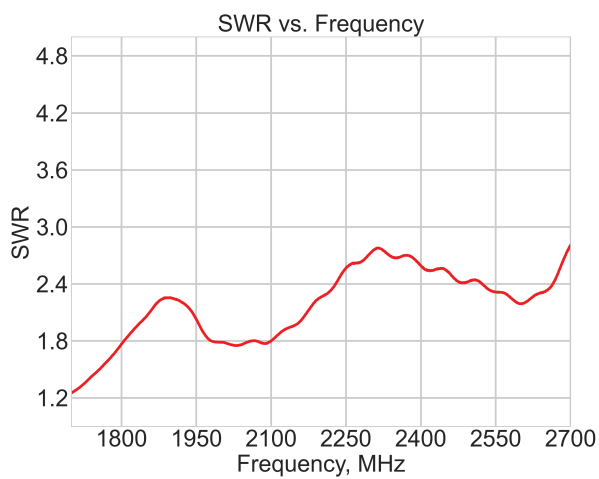
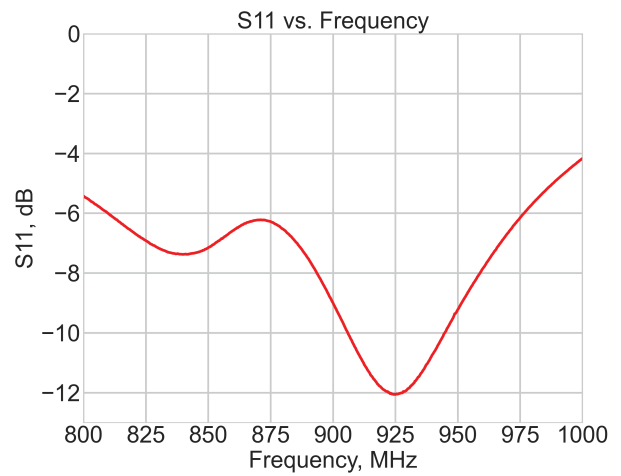
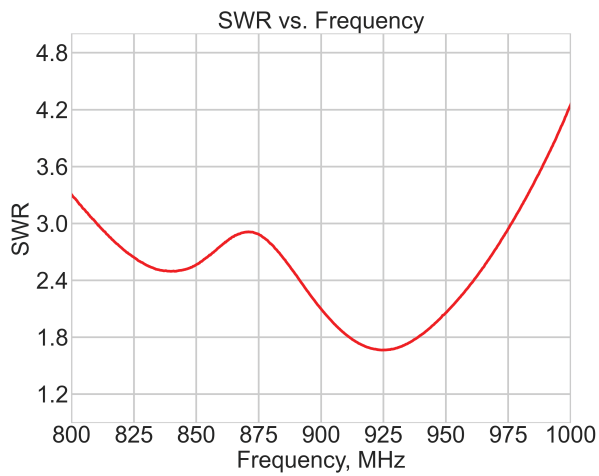
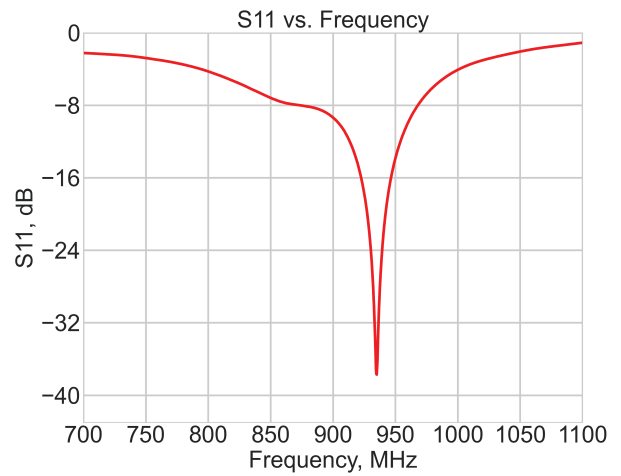
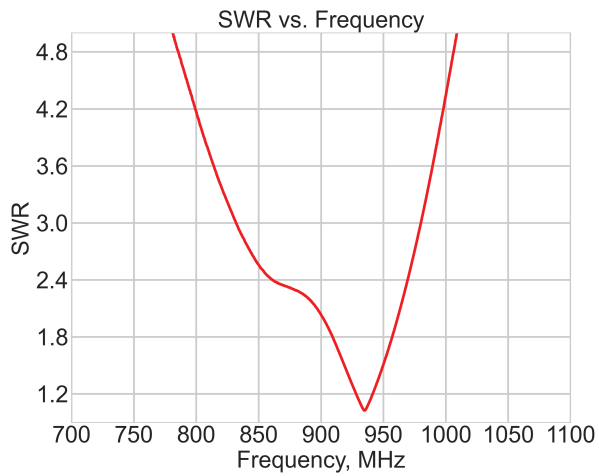
Table 2 - 868/915 MHz ISM Antenna

Frequency Range	863-870 MHz	902-928 MHz
Band	868 MHz	915 MHz
Return Loss	-11.3 dB	-10.1dB
VSWR	1.7:1	1.9:1
Efficiency	32.6%	29.6%
Peak Gain	1.2 dBi	1.7 dBi
Average Gain	-4.8 dB	-5.2 dB
Impedance	50 Ohm	
Polarization	Linear	
Radiation Pattern	Omni-Directional	
Max. Input Power	25W	

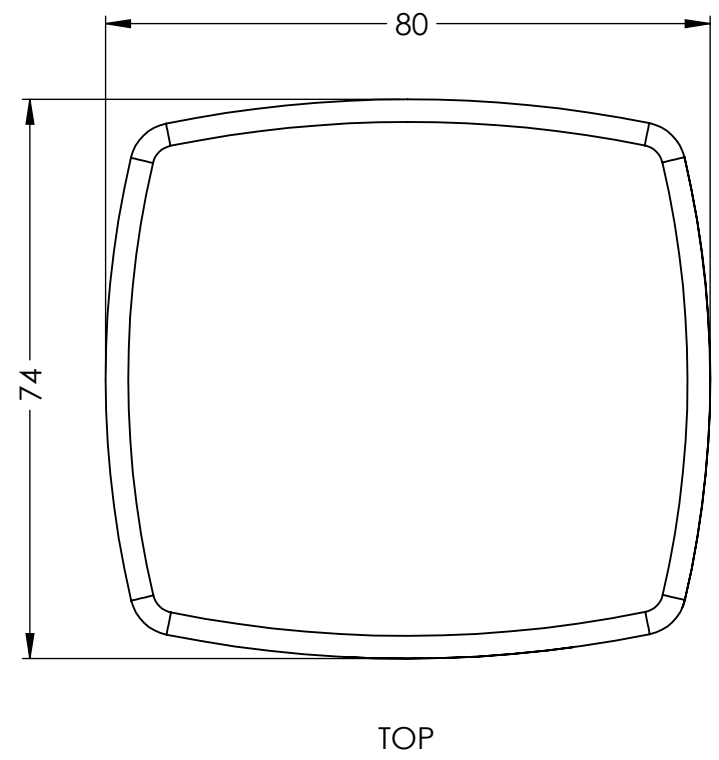
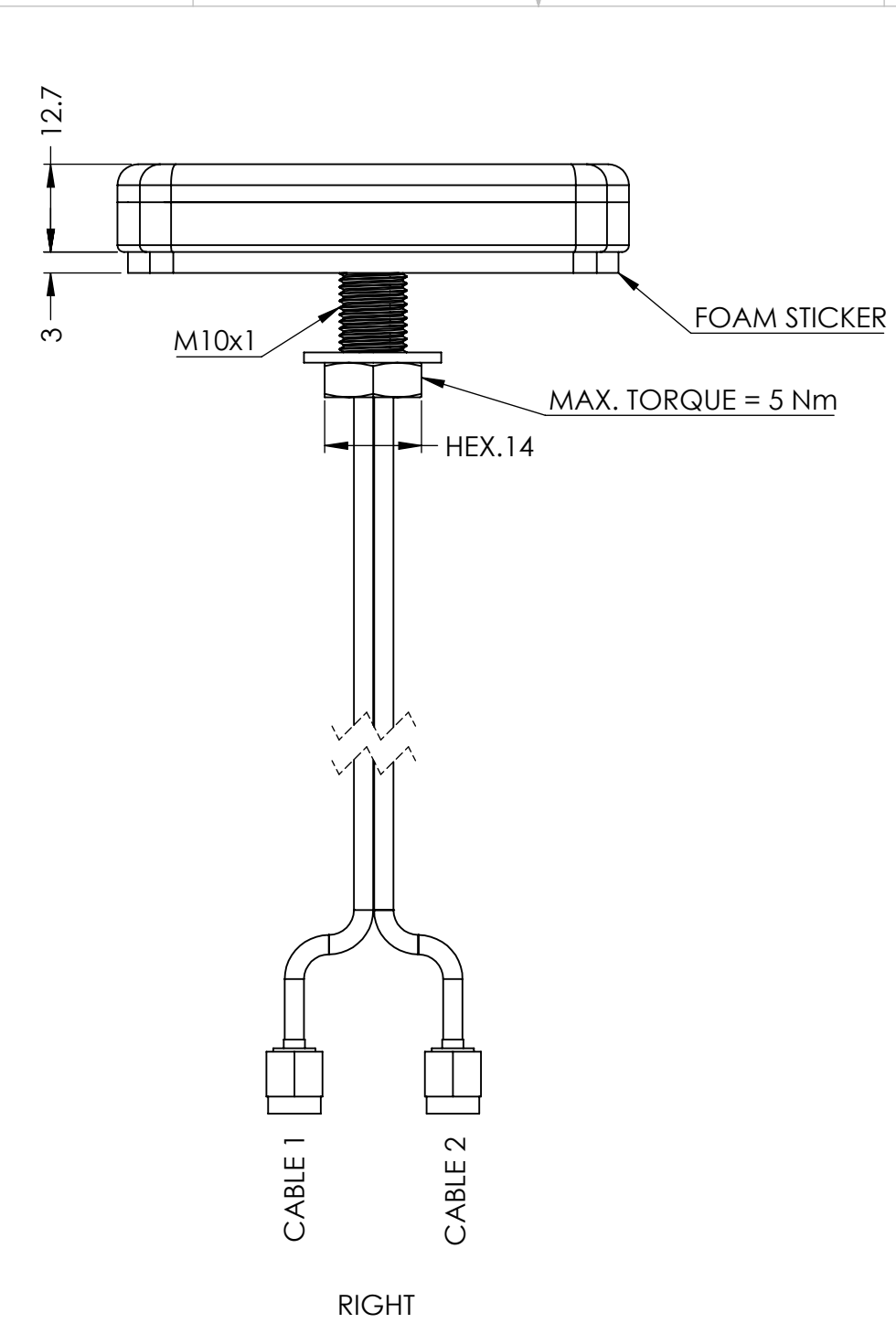
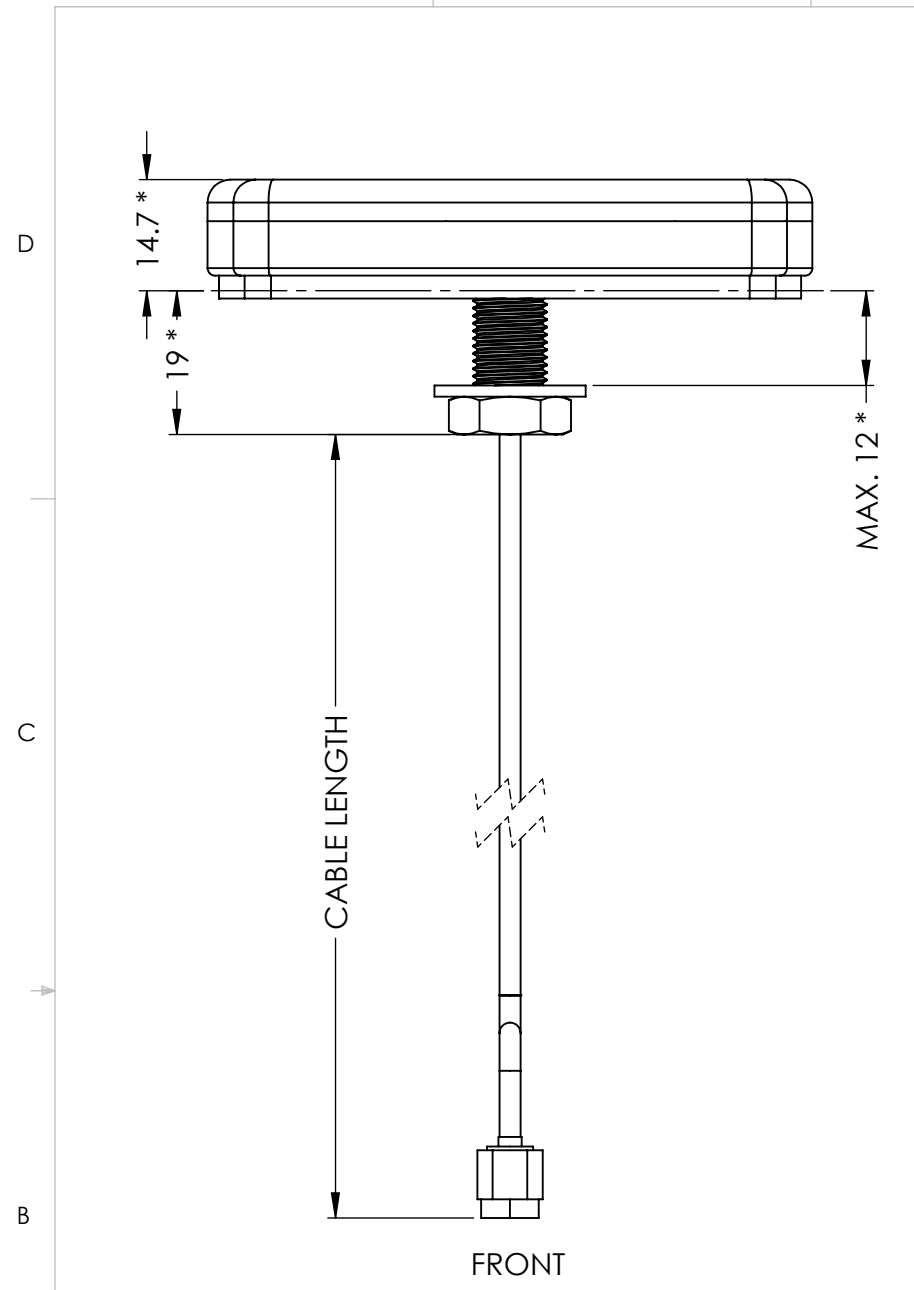
Mechanical Specification

Parameter	Specification
Antenna Dimensions	80 x 74 x 25.6 mm
Operating Temperature	-40 °C to +85 °C
Certificates	Iridium Certified, IP67, IP69
Connector	SMA male
Antenna Color	Black, White
Radome Type	PC + ASA
Substance Compliance	RoHS
Cable Length	200 cm
Mounting style	Screw mount
Max. Tighten Torque	5 Nm

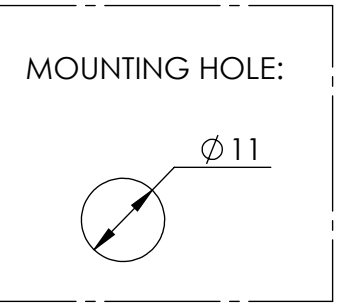
*Antenna Measurement Conditions:
Mounted on ABS plate of 30x30x0.25cm



DRAWING REVISION HISTORY			
REV	DESCRIPTION	DATE	BY
A	INITIAL RELEASE	2021-10-26	JET



- NOTES:
- FREQUENCY:
 - CABLE 1 (Cellular/LTE): 698-960 MHz, 1710-2170 MHz, 2500-2700 MHz
 - CABLE 2 (868/915 MHz ISM): 863-870 MHz, 902-928 MHz
 - *DIMENSIONS ARE AFTER MOUNTING
 - CUSTOMIZABLE CABLE AND CONNECTOR TYPE
 - MOUNTING TYPE: SCREW MOUNT
 - MAX MOUNTING THICKNESS: 12 mm
 - MATERIALS:
 - RADOME: ABS UV STABLE
 - RADOME COLOR: BLACK or WHITE
 - OPERATING TEMPERATURE: -40°C ~ +85°C
 - STORAGE TEMPERATURE: -40°C ~ +85°C
 - CERTIFICATION: IP67



100-00197 CONFIGURATION TABLE				
DASH NO	CABLE TYPE	CABLE LENGHT	CONNECTOR TYPE	RADOME COLOR
-01	CABLE 1: LL100 CABLE 2: LL100	300 CM 300 CM	SMA-MALE SMA-MALE	BLACK

ITEM 100-00197 REVISION HISTORY			
REV	DESCRIPTION	DATE	BY
A	INITIAL RELEASE	2021-10-26	JET

UNLESS OTHERWISE SPECIFIED:
 DIMENSIONS ARE IN MM
 TOLERANCES:
 FRACTIONAL: ±
 ANGULAR: MACH ± .5° BEND ±
 ONE PLACE DECIMAL ± 1.0
 TWO PLACE DECIMAL ± .50

INTERPRET GEOMETRIC TOLERANCING PER:

THIRD ANGLE PROJECTION
DO NOT SCALE DRAWING

	NAME	DATE
DRAWN	JET	2021-10-26
CHECKED	ZX	2021-10-26
ENG APPR.	NPC	2021-10-26
MFG APPR.		
Q.A.		

CAD MAINTAINED. CHANGES SHALL BE INCORPORATED BY THE DESIGN ACTIVITY.

MAXTENA, INC

TITLE: 100-00197
MEA-900-L-SM

SIZE	DWG. NO.	REV
B	117-00493-01	A

CAGE CODE: 5KQH7 SCALE: NONE SHEET 1 OF 1