

Product data sheet

Specifications



Multi touch screen, Harmony iPC, Enclosed PC Performance W19 DC, Base unit

HMIPEP0952D1001

Price* : 5,720.00 USD

Main

Range of Product	Harmony iPC
Product or Component Type	Multi-touch screen
Processor name	Intel Core i3 4010U 1.7 GHz
Free slots	1 Internal SATA HDD/SSD
Display size	18.5 inch
Display colour	16777216 colors
Luminance	27.87 fc (300 cd/m ²)
Pixel resolution	4096 x 4096
Software package	EcoStruxure secure connect advisor annual subscription cyber security license not included EcoStruxure Operator Terminal Expert run time HMI license not included EcoStruxure machine SCADA expert run time HMI/SCADA on configured offer only EcoStruxure augmented operator advisor server augmented operator license not included Vijeo Citect DVD SCADA license not included

Complementary

Number of points	5
Terminal type	Touchscreen display
Aspect ratio	16:9
Display Type	Colour TFT LCD LED
Display Resolution	1366 x 768 pixels WXGA
Backlight lifespan	50000 hours
View angle horizontal x vertical	160 x 170°
Touch panel	Multi-touch projected capacitive technology (PCT)
Memory type	8 GB RAM DDR3 internal
Type of cooling	Fanless Passive
Watchdog timer	1...255 ms
Integrated connection type	1 RS232 - M12 male <= 115.2 kbits/s) 1 USB 2.0 type A - M12 female 1.5/12/480 Mbit/s) 2 Ethernet port - M12 female 10/100/1000 Mbit/s)
Number of slots	1 mini PCI Express full-size
[Us] rated supply voltage	24 V DC +/- 20 % power supply

* Price is "List Price" and may be subject to a trade discount – check with your local distributor or retailer for actual price.

Power consumption in W	28...60 W
Mechanical robustness	Hardness anti-scratch 7H
Local signalling	buzzer for on LED (green) for stand-by LED (orange)
Function Available	Operate with water on screen
Width	19.21 in (488 mm)
Height	12.17 in (309 mm)
Depth	2.56 in (65 mm)
Net Weight	17.64 lb(US) (8 kg)
Main type	Performance

Environment

IP degree of protection	All sides IP65
Product certifications	CE C-tick AS/NZS CCC EAC RCM
Standards	CISPR 11 CSA C22.2 No. 60950 FCC Part 15 class A IEC 60950 IEC 61000-6-2 IEC 61000-6-4 UL 60950
Directives	2006/95/EC - low voltage directive 2004/108/EC - electromagnetic compatibility
Pollution degree	2
Ambient air temperature for operation	32...131 °F (0...55 °C) SSD 32...113 °F (0...45 °C) HDD
Ambient air temperature for storage	-4...140 °F (-20...60 °C)
Relative Humidity	10...95 % non-condensing
Operating altitude	6561.68 ft (2000 m)
Vibration resistance	1 gn 5...500 Hz) HDD 2 gn 5...500 Hz) SSD

Ordering and shipping details

Category	22575-MAGELIS MC3
Discount Schedule	MC3
GTIN	3606480853340
Nbr. of units in pkg.	1
Package weight(Lbs)	15.43 lb(US) (7.0 kg)
Returnability	No
Country of origin	US

Packing Units

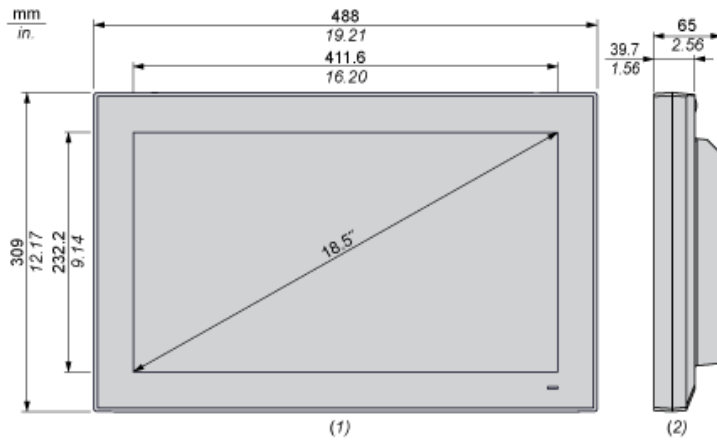
Unit Type of Package 1	PCE
Package 1 Height	21.65 in (55 cm)
Package 1 width	6.93 in (17.6 cm)
Package 1 Length	27.76 in (70.5 cm)

Unit Type of Package 2	CAR
Number of Units in Package 2	1
Package 2 Weight	19.84 lb(US) (9.0 kg)
Package 2 Height	20.87 in (53 cm)
Package 2 width	6.30 in (16 cm)
Package 2 Length	26.97 in (68.5 cm)

Offer Sustainability

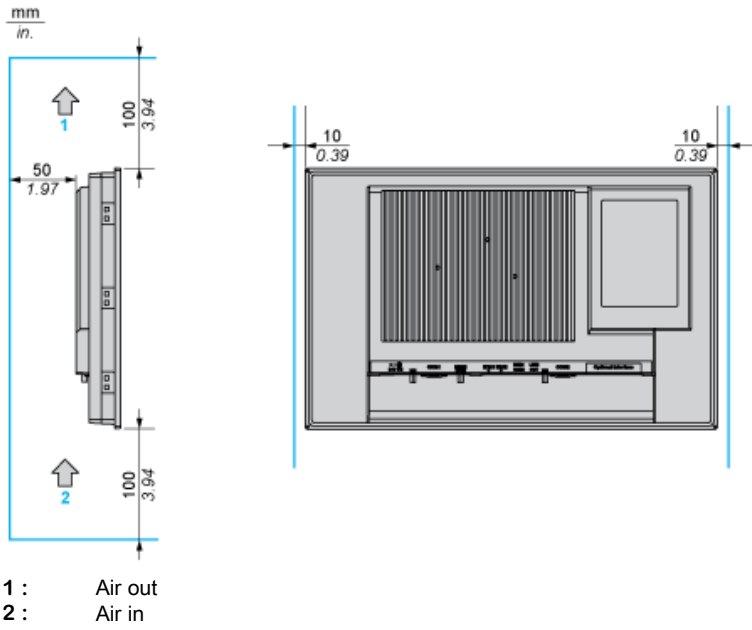
California proposition 65	WARNING: This product can expose you to chemicals including: Lead and lead compounds, which is known to the State of California to cause cancer and birth defects or other reproductive harm. For more information go to www.P65Warnings.ca.gov
EU RoHS Directive	Pro-active compliance (Product out of EU RoHS legal scope) EU RoHS Declaration
Mercury free	Yes
RoHS exemption information	Yes
China RoHS Regulation	China RoHS declaration
WEEE	The product must be disposed on European Union markets following specific waste collection and never end up in rubbish bins.

Dimensions



- (1) Front view
- (2) Right view

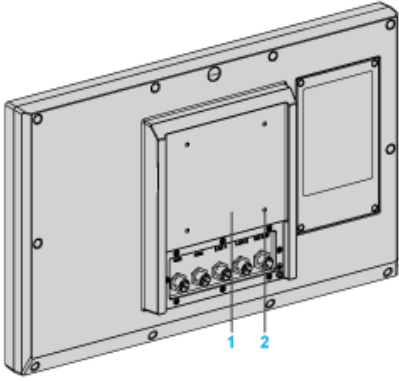
Spacing Requirements



Mounting Orientation



VESA Mounting



- 1 : VESA plate position (size 100 x 100 mm)
- 2 : 4 x VESA mount screws for attachment

