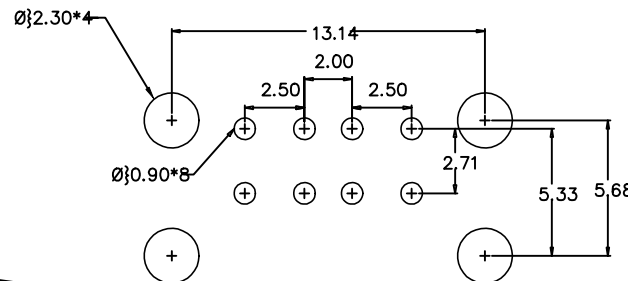
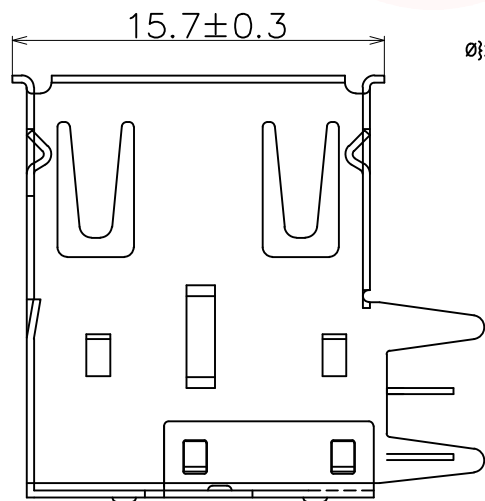
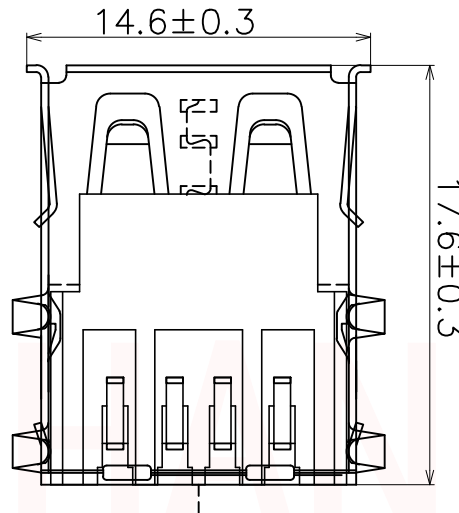
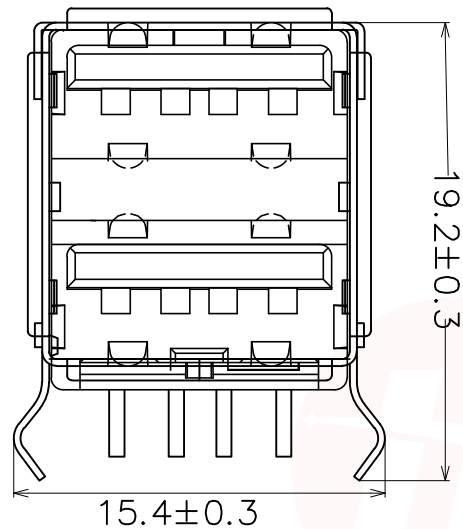




REV.	ECN NO OR DESCRIPTION	REVISED	DATE



RBCOMMENDBD P.C.B PATTBRN LAY OUT

**规格说明: Specifications:**

**电气特性: Electrical:**

1. 额定电流: Current Rating  
1.5A/contact terminal
2. 额定电压: Voltage Rating  
30V DC
3. 接触阻抗: Contact Resistance  
30 milliohms MAX
4. 耐压: Dielectnic Withstanding Voitage:  
500 V AC AT Sea Level
5. 绝缘阻抗: Lnsulation Resistance:  
1000MEGA ohms MIN

**物理性能: Mechanical:**

1. 插拔力: Cnnector Mate and Unmate Force  
Mate force: 3.75kgf(MAX)  
Unmate force: 1.02kgf(MIN)
2. 端子保持力: Terminal Retenion  
1.2kgf(MIN)

**原材料: Matorial:**

1. 塑胶: Housing:  
Hing Temperature Thermoplastics,  
UI 94V-0 PBT/LCP White/Black
2. 端子: Contact: Copper Alloy C2680
3. 外壳: Shell: Copper Alloy C2680/SPCC

**电镀: Finish:**

1. 端子: Contact: Plated Gold in Mating Area;  
Tin On Solder Talls
2. 外壳: Shell:  
Nickel Plating

UNLESS OTHERWISE SPECIFIED TOLERANCES		东莞市汉博电子科技有限公司 DONGGUAN HANBO TECHNOLOGY CO., LTD			
DECIMALS:	ANGLES:	TITLE	USB AF 90度双层半包弯脚卷边		
X :±0.30	X :±2°	DWN	xiong	PART NO. USB-U264-BJS	
X.X :±0.20	X.X :±1°	CHKD	lee	SCALE:1:1	UNIT: mm
X.XX :±0.10		APVD	wang	SIZE: A4	SHEET:10F 1
CUSTOMER COPY					
				REV: A4	