



Low Cost Three-Way GMIC SMT Power Divider 1850 – 1990 MHz



Features

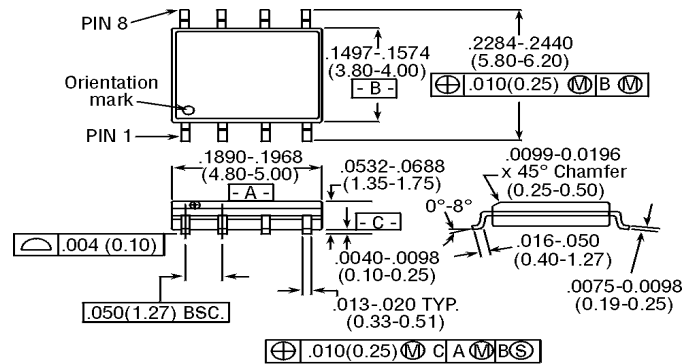
- Small Size and Low Profile
- Industry Standard SOIC-8 SMT Plastic Package
- Excellent Amplitude and Phase Balance
- Superior Repeatability
- Typical Insertion Loss: 1.0 dB
- Typical Isolation: 18 dB
- 1 Watt Power Handling

Description

M/A-COM's DS53-0005 is an IC-based monolithic power divider using M/A-COM's GMIC technology in a low cost SOIC-8 plastic package. This 3-way power divider is ideally suited for applications where small size, low insertion loss, superior phase/amplitude tracking and low cost are required. Typical applications include personal communication systems and other communication applications where size and PCB real estate are at a premium. Available in tape and reel.

The DS53-0005 is fabricated using a passive-integrated circuit process. The process features full-chip passivation for increased performance and reliability.

SOIC-8



8- Lead SOP outline dimensions

Narrow body .150

(All dimensions per JEDEC No. MS-012-AA, Issue C)

Dimensions in () are in mm.

Unless Otherwise Noted: .xxx = ± 0.010 (.xx = ± 0.25)
.xx = ± 0.02 (.x = ± 0.5)

Ordering Information

Part Number	Package
DS53-0005	SOIC 8-Lead Plastic Package
DS53-0005-TR	Forward Tape and Reel ¹
DS53-0005-RTR	Reverse Tape and Reel ¹

1. If specific reel size is required, consult factory for part number assignment.

Typical Electrical Specifications¹, T_A = +25°C

Parameters	Units	Min.	Typ.	Max.
Insertion Loss Above 4.8 dB	dB	—	1.0	1.4
Isolation	dB	12	18	—
VSWR Input	—	—	1.8:1	2.0:1
Amplitude Balance	dB	—	0.3	0.6
Phase Balance	°	—	7	14

1. All specifications apply with a 50-ohm source and load impedance.

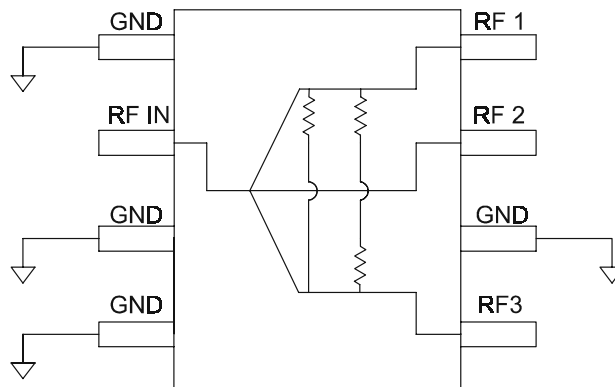


Absolute Maximum Ratings¹

Parameter	Absolute Maximum
Input Power ²	1W CW
Operating Temperature	-40°C to +85°C
Storage Temperature	-65°C to 150°C

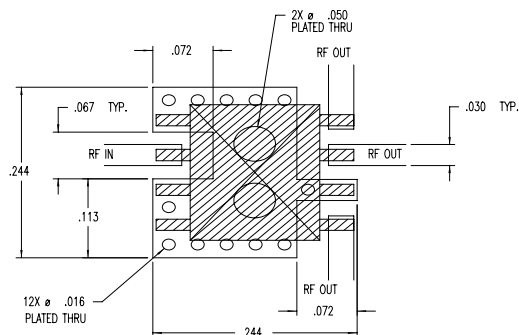
1. Exceeding these limits may cause permanent damage.
2. With internal load dissipation of 0.125 W maximum.

Functional Diagram



Pins labeled as ground should be DC and RF grounded.

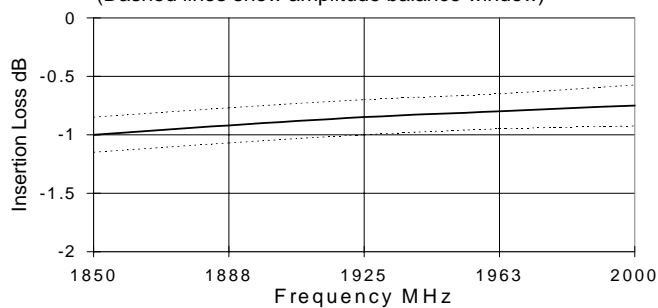
Recommended PIN Configuration



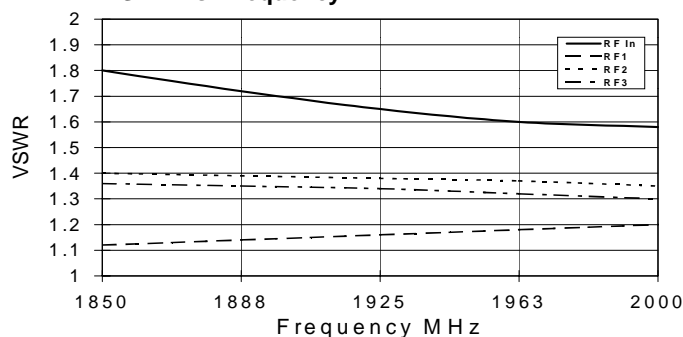
Typical Performance @ +25°C

Insertion Loss vs. Frequency

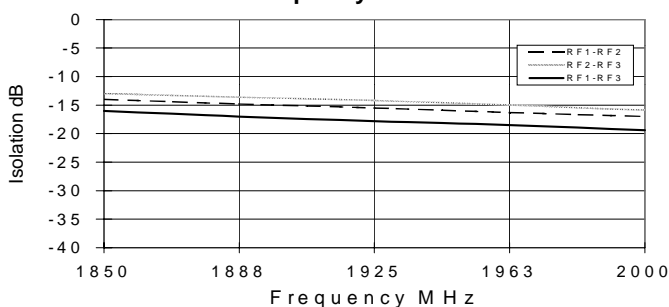
(Dashed lines show amplitude balance window)



VSWR vs. Frequency



Isolation vs. Frequency



Phase Balance vs. Frequency

(Relative to RF1)

