

# SIL40C2 Series

4.5-13.8 Vin Single Output

March 15, 2006

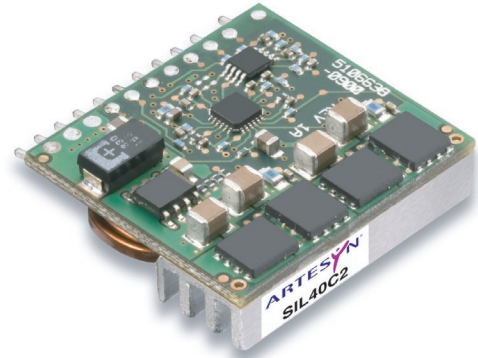
DC-DC CONVERTERS

C Class Non-isolated

1

NEW Product

- **40 A current rating**
- **Input voltage range: 4.5-13.8 V**
- **Output voltage: 0.6-5 V**
- **Industry leading value**
  - **Cost optimized design**
- **Excellent transient response**
- **Output enable**
- **Output voltage adjustability**
  - **Pathway for future upgrades**
  - **Supports silicon voltage migration**
  - **Resulting in reduced design-in and qual time**
- **RoHS compliant**



The SIL40C2 series is a new high density open frame non-isolated converter for space sensitive applications. This model has a wide input range (4.5-13.8 Vdc) and offers a wide 0.6-5 V output voltage range with 40 A load capability. An external resistor adjusts the output voltage from its pre-set value of 0.6 V to any value up to the 5 V maximum. Typical efficiencies for the models are 91% for the 12 V input version. The SIL40C2 series offers remote ON/OFF and over-current protection as standard.



All specifications are typical at nominal input, full load at 25 °C unless otherwise stated

## SPECIFICATIONS

### OUTPUT SPECIFICATIONS

Output voltage	(See Note 5)	0.6-5 V
Output setpoint accuracy	0.1% trim resistors	±1.0%
Line regulation	Low line to high line	±0.2%
Load regulation	Full load to min. load	±0.5%
Min/max load		0 A/40 A
Overshoot	At turn-on	0.5% max.
Undershoot	At turn-off	100 mV max.
Ripple and noise 5 Hz to 20 MHz	(See Note 1)	25 mV Vin = 5 V, Vout = 2.5 V
Transient response	(See Notes 1, 2)	150 mV max. deviation 30 µs recovery within regulation band

### INPUT SPECIFICATIONS

Input voltage range		4.5-13.8 Vdc
Input current	Minimum load Remote OFF	50 mA 5 mA
Input current (max.)	(See Note 3)	25 A @ Io max.
Start-up time	Remote ON/OFF	3 ms

### GENERAL SPECIFICATIONS

Efficiency	Vin=5 V, Vo=2.5 V, Io=20 A	94% Typ.
Switching frequency	Fixed	500 kHz
Approvals and standards (pending)		EN60950 UL/cUL60950
Material flammability		UL94V-0
Weight		17 g/0.06 oz.
MTBF	12 V @ 40 °C 100% load Bellcore 332	6,749,409 hours
Coplanarity		150 µm

### ENVIRONMENTAL SPECIFICATIONS

Thermal performance (See Note 5)	Operating ambient, temperature Non-operating	0 °C to +70 °C -40 °C to +125 °C
-------------------------------------	--	-------------------------------------

### PROTECTION

Short-circuit	Hiccup, non-latching
Over voltage	Hiccup, non-latching

### RECOMMENDED SYSTEM CAPACITANCE

Input capacitance	(See Note 6)	0 µF
Output capacitance	(See Note 7)	0 µF

### International Safety Standard Approvals



UL/cUL CAN/CSA 22.2 No. E139421  
UL60950 File No. TBD



TÜV Product Service (EN60950) Certificate No. TBD  
CB report and certificate to IEC60950

# SIL40C2 Series

4.5-13.8 Vin Single Output

March 15, 2006

DC-DC CONVERTERS

C Class Non-isolated

2

For the most current data and application support visit [www.artesyn.com/powergroup/products.htm](http://www.artesyn.com/powergroup/products.htm)

**NEW Product**

OUTPUT POWER (MAX.)	INPUT VOLTAGE	OVP	OUTPUT VOLTAGE	OUTPUT CURRENT (MIN.)	OUTPUT CURRENT (MAX.)	EFFICIENCY (TYP.)	REGULATION		MODEL NUMBER <sup>(8, 9)</sup>
							LINE	LOAD	
200 W	4.5-13.8 Vdc	N/A	0.6-5 Vdc	0 A	40 A	94%	±0.2%	±0.5%	SIL40C2-00SADJ-VJ

Part Number System with Options

**SIL40C2-00SADJ-VJ**

**Product Family**  
SIL = Single In Line  
SMT = Surface Mount

**Rated Output Current**  
06 = 6 A  
15 = 15 A  
20 = 20 A  
30 = 30 A  
40 = 40 A

**Performance**  
C = Cost Optimized

**Generation**  
Blank = Standard Part  
2 = Increased Current Density

**RoHS Compliance <sup>(8)</sup>**  
J = Pb-free (RoHS 6/6 compliant)

**Mounting Option**  
V = Vertical  
H = Horizontal

**Output Voltage**  
Single Adjustable Output

**Input Voltage**  
00 = 4.5-13.8 V

### Output Voltage Adjustment of the SIL40C2 Series

The ultra-wide output voltage trim range offers major advantages to users who select the SIL40C2. It is no longer necessary to purchase a variety of modules in order to cover different output voltages. The output voltage can be trimmed in a range of 0.6-5 V. When the SIL40C2 converter leaves the factory the output has been adjusted to the default voltage of 0.6 V.

### Notes

- 1 Measured as per recommended system capacitance.
- 2  $di/dt = 10 \text{ A}/\mu\text{s}$ ,  $V_{in} = \text{Nom}$ ,  $T_c = 25 \text{ }^\circ\text{C}$ , load change = 0.75  $I_o$  to full  $I_o$  and full  $I_o$  to 0.75.
- 3 External input fusing is recommended.
- 4 Additional part numbers may be available with different output voltages.
- 5 Airflow dependent, 100 LFM minimum required.
- 6 No capacitor needed for ripple current capability.
- 7 No capacitor needed for stability.
- 8 TSE RoHS 5/6 (non PB-free) compliant versions are also available on special request, please contact your local sales representative for details.
- 9 NOTICE: Some models may not support all options. Please contact your local Artesyn representative or use the on-line model number search tool at <http://www.artesyn.com/powergroup/products.htm> to find a suitable alternative.

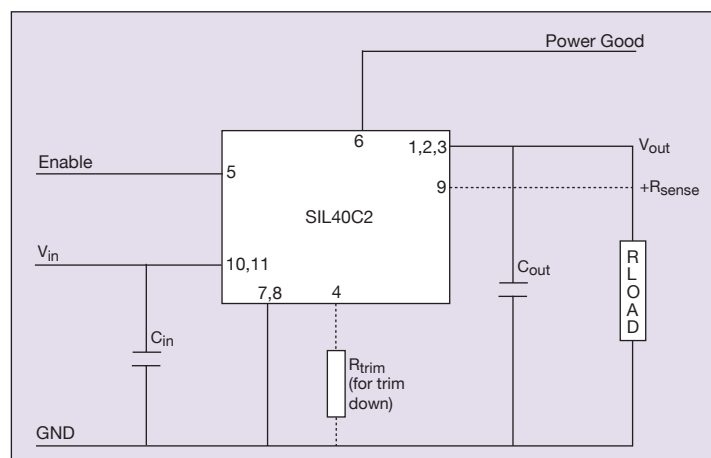


Figure 1: Standard Application Drawing

# SIL40C2 Series

4.5-13.8 Vin Single Output

March 15, 2006

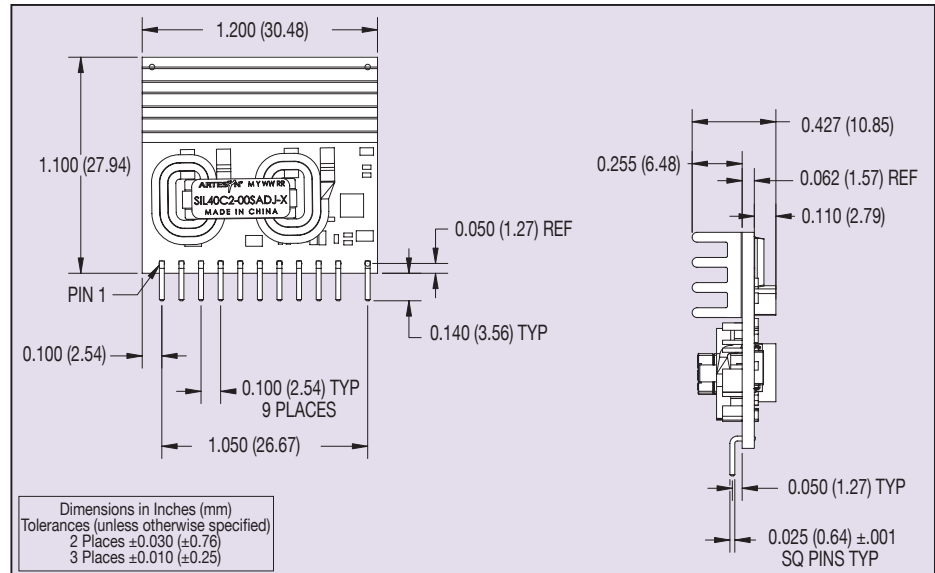
DC-DC CONVERTERS

C Class Non-isolated

3

For the most current data and application support visit [www.artesyn.com/powergroup/products.htm](http://www.artesyn.com/powergroup/products.htm)

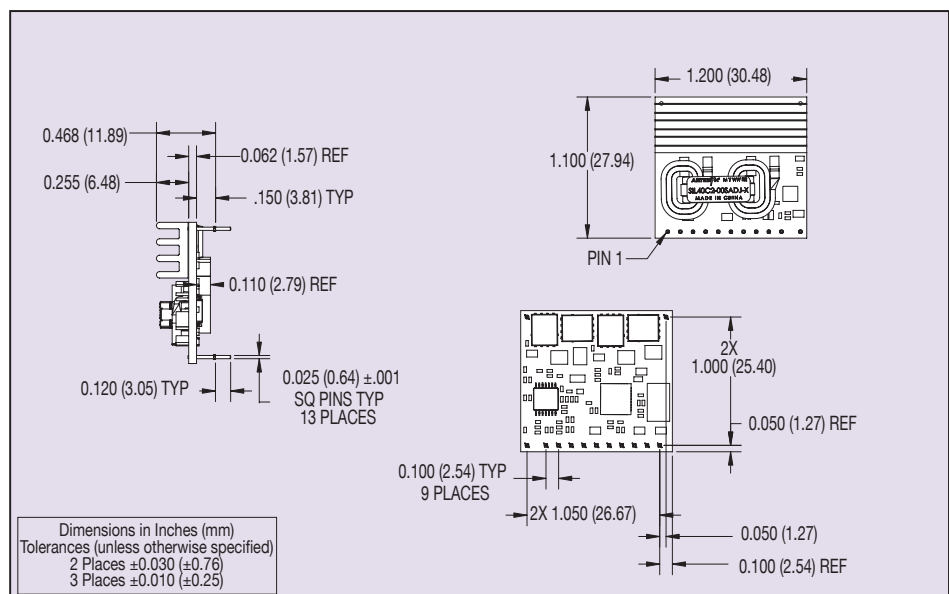
**NEW Product**



**Figure 2: Vertical Mount Mechanical Drawing**

PIN CONNECTIONS	
PIN NO.	FUNCTION
1	Vout
2	Vout
3	Vout
4	Trim
5	Enable
6	Power Good
7	Ground
8	Ground
9	(+) Sense
10	Vin
11	Vin
12	*Mech Support
13	*Mech Support

\* Horizontal and SMT version only



**Figure 3: Horizontal Mount Mechanical Drawing**

# SIL40C2 Series

4.5-13.8 Vin Single Output

March 15, 2006

DC-DC CONVERTERS

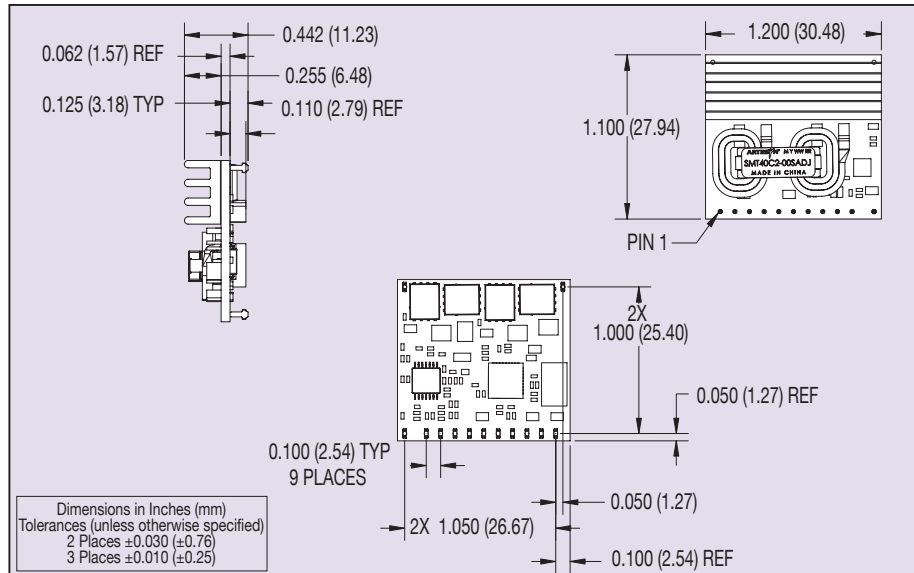
C Class Non-isolated

4

For the most current data and application support visit [www.artesyn.com/powergroup/products.htm](http://www.artesyn.com/powergroup/products.htm)

**NEW Product**

PIN CONNECTIONS	
PIN NO.	FUNCTION
1	Vout
2	Vout
3	Vout
4	Trim
5	Enable
6	Power Good
7	Ground
8	Ground
9	(+) Sense
10	Vin
11	Vin
12	*Mech Support
13	*Mech Support



**Figure 4: Surface Mount Mechanical Drawing**

\* Horizontal and SMT version only

Datasheet © Artesyn Technologies® 2005

The information and specifications contained in this datasheet are believed to be correct at time of publication. However, Artesyn Technologies accepts no responsibility for consequences arising from printing errors or inaccuracies. Specifications are subject to change without notice. No rights under any patent accompany the sale of any such product(s) or information contained herein.

Please consult our website for the following items: ✓Application Note ✓Longform Datasheet

[www.artesyn.com](http://www.artesyn.com)