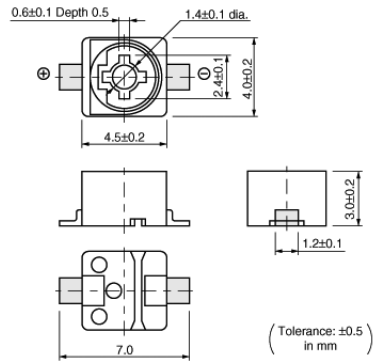


# TZB4R500BA10B00

In Production Recommended RoHS REACH

## Appearance & Shape



## Features

1. Miniature rectangular shape: 4.0(W)x4.5(L)x3.0(H)mm.
2. Color coded case facilitates identification of capacitance range.
3. Designed for automatic placement in surface mount applications.
4. Designed to withstand flux baths and solder baths (with cover film type).
5. Can be temporarily attached to PCB with adhesives (Terminal style A and B)
6. Can be reflow and flow (with cover film type) soldering method.
7. Stable characteristics over a wide frequency range. (Resonant frequency: 1000MHz min. / 6pF)

## Packaging Information

Packaging	Specifications	Minimum Order Quantity
B00	Bulk(Bag)	500

### Attention

1.This datasheet is downloaded from the website of Murata Manufacturing Co., Ltd. Therefore, it's specifications are subject to change or our products n it may be discontinued without advance notice. Please check with our sales representatives or product engineers before ordering.  
2.This datasheet has only typical specifications because there is no space for detailed specifications.  
Therefore, please review our product specifications or consult the approval sheet for product specifications before ordering.

# TZB4R500BA10B00

## Specifications

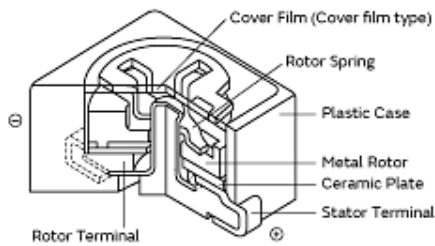
Shape	SMD
Operating Temperature Range	-25°C to 85°C
Thickness	3mm
Thickness Tolerance	±0.2
Rated Voltage	50Vdc
Cmin.(max.)	7pF
Cmax.	50pF
Adjustment Direction	Top
Soldering Method	Reflow Soldering Iron
TC	N750±300ppm/°C
Q	300min. at 1MHz, Cmax
Withstanding Voltage	110Vdc
Insulation Resistance(min.)	10000MΩ
Torque	1.5 to 9.8mNm
Stator/Case Color	Black+Marking
Mass	0.15g

**Attention**

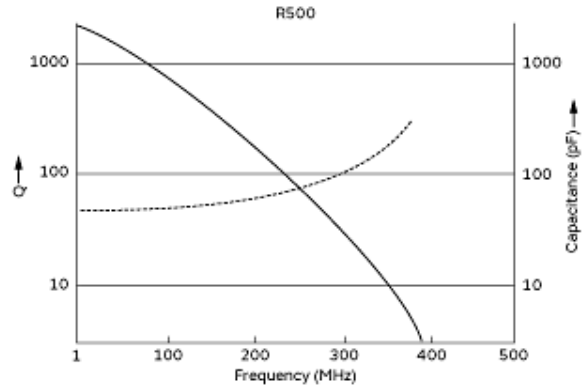
1.This datasheet is downloaded from the website of Murata Manufacturing Co., Ltd. Therefore, it's specifications are subject to change or our products may be discontinued without advance notice. Please check with our sales representatives or product engineers before ordering.  
2.This datasheet has only typical specifications because there is no space for detailed specifications.  
Therefore, please review our product specifications or consult the approval sheet for product specifications before ordering.

# TZB4R500BA10B00

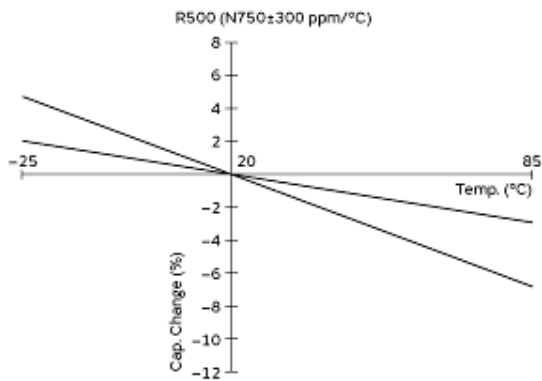
## Product Data



Constructions



Frequency Characteristics



Temp. Coeff. Characteristics

**Attention**

1. This datasheet is downloaded from the website of Murata Manufacturing Co., Ltd. Therefore, its specifications are subject to change or our products may be discontinued without advance notice. Please check with our sales representatives or product engineers before ordering.  
 2. This datasheet has only typical specifications because there is no space for detailed specifications.  
 Therefore, please review our product specifications or consult the approval sheet for product specifications before ordering.