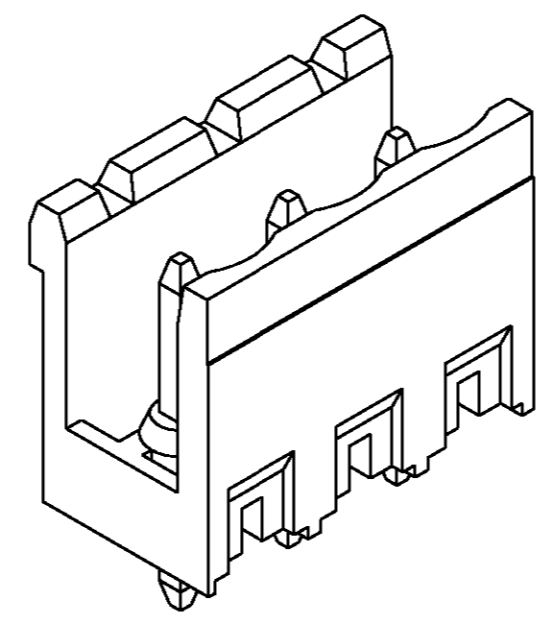
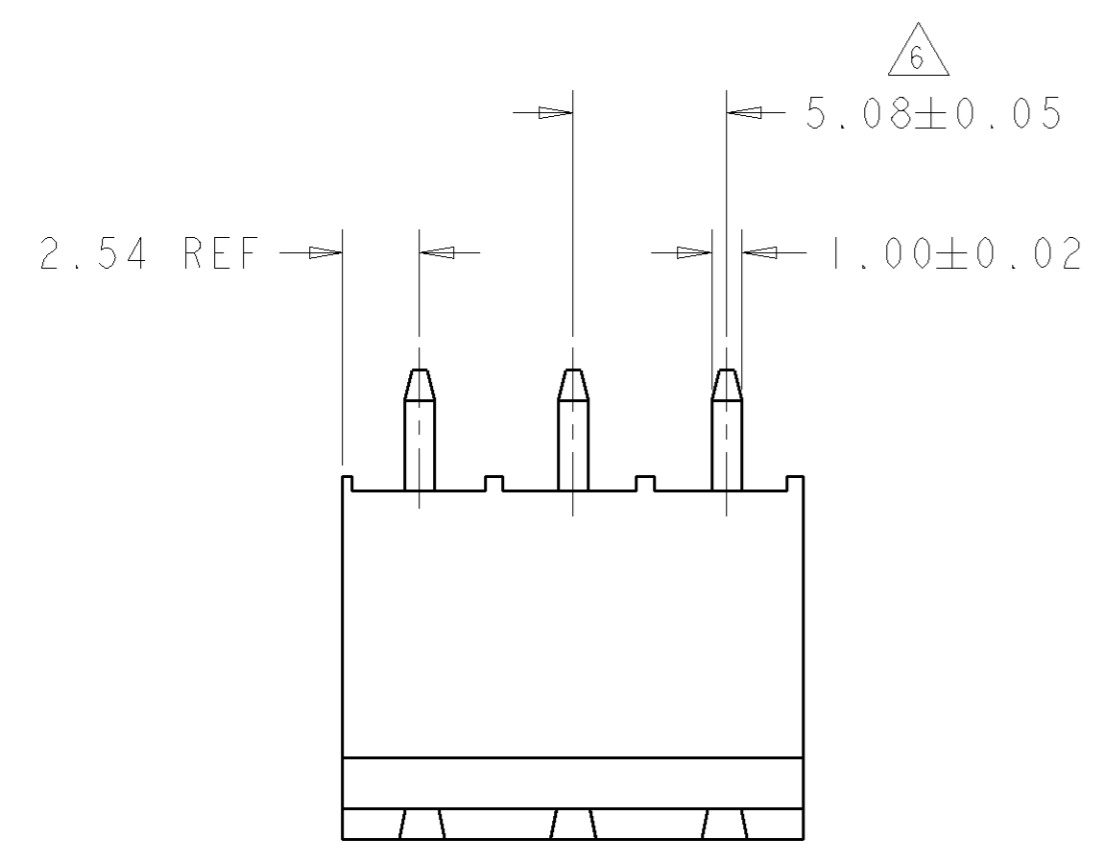


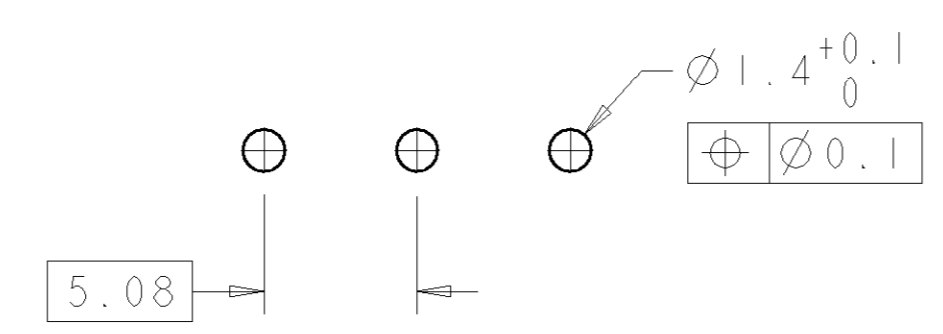
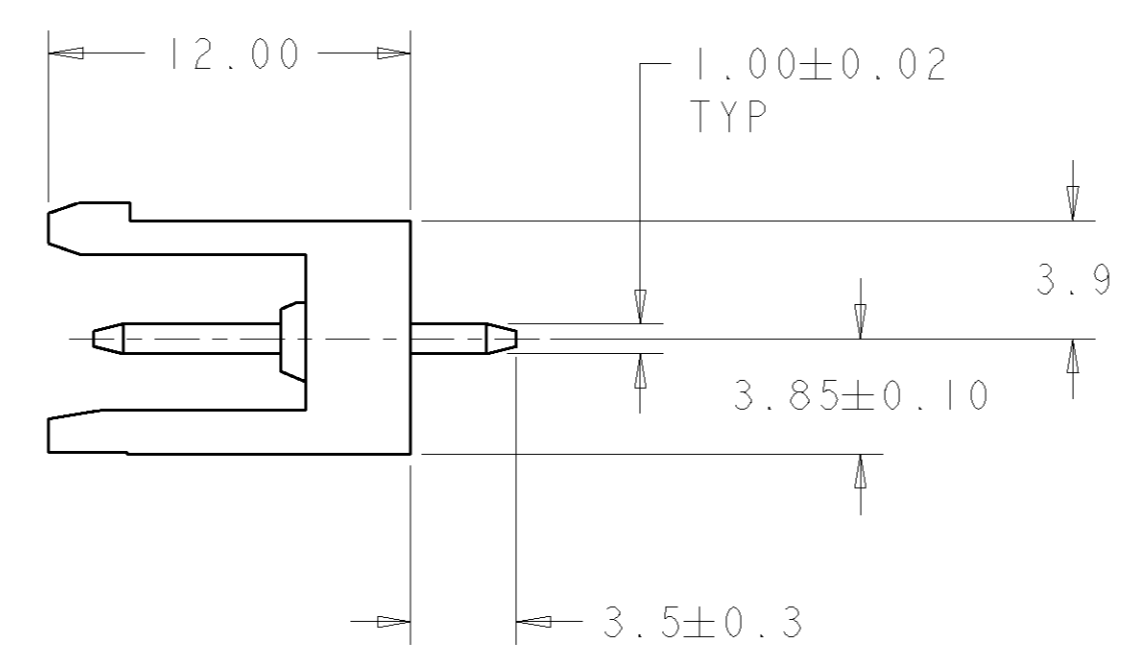
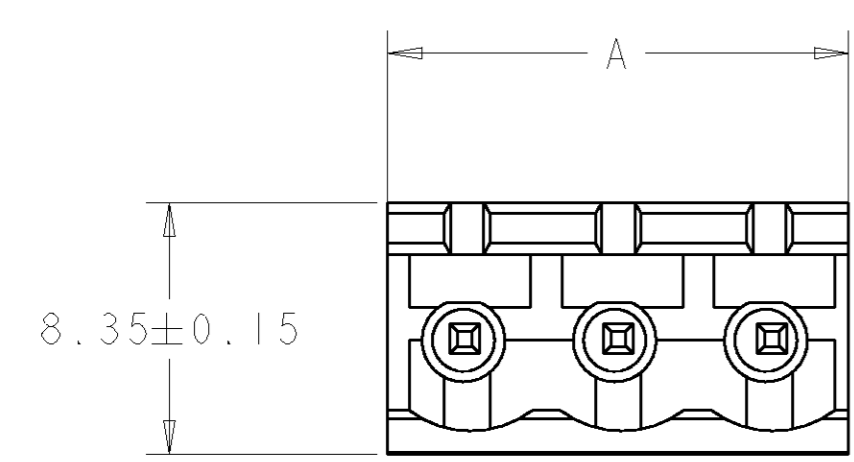
THIS DRAWING IS UNPUBLISHED. RELEASED FOR PUBLICATION 20  
 © COPYRIGHT 20 BY TYCO ELECTRONICS CORPORATION. ALL RIGHTS RESERVED.

| LOC | DIST | REVISIONS   |          |     |      |
|-----|------|-------------|----------|-----|------|
| P   | LTR  | DESCRIPTION | DATE     | DWN | APVD |
| FT  | 0    | A           | RELEASED | -   | -    |



1546213-3 AS SHOWN

- △ MATERIALS AND FINISH:  
 HOUSING: PA 6-6, UL 94-V0, COLOR GRAY.  
 TERMINAL: PHOSPHOR BRONZE, FINISH: TIN PLATED.
- SUITABLE FOR 1,6-2,4mm PC BOARD THICKNESS.
  - END-TO-END STACKABLE WITHOUT LOSS OF CENTERLINE SPACING.
  - RECOGNIZED UNDER THE COMPONENT PROGRAM OF UNDERWRITERS LABORATORIES INC. FILE N°E60677.
  - IMQ CERTIFICATE WITH SURVEILLANCE IN CONFORMITY WITH IEC 998-1/998-2-1.
- △ NOT CUMULATIVE TOLERANCE.



RECOMMENDED PC BOARD LAYOUT

|        |            |             |
|--------|------------|-------------|
| 127.00 | 25         | 2-1546213-5 |
| 121.92 | 24         | 2-1546213-4 |
| 116.84 | 23         | 2-1546213-3 |
| 111.76 | 22         | 2-1546213-2 |
| 106.68 | 21         | 2-1546213-1 |
| 101.60 | 20         | 2-1546213-0 |
| 96.52  | 19         | 1-1546213-9 |
| 91.44  | 18         | 1-1546213-8 |
| 86.36  | 17         | 1-1546213-7 |
| 81.28  | 16         | 1-1546213-6 |
| 76.20  | 15         | 1-1546213-5 |
| 71.12  | 14         | 1-1546213-4 |
| 66.04  | 13         | 1-1546213-3 |
| 60.96  | 12         | 1-1546213-2 |
| 55.88  | 11         | 1-1546213-1 |
| 50.80  | 10         | 1-1546213-0 |
| 45.72  | 9          | 1546213-9   |
| 40.64  | 8          | 1546213-8   |
| 35.56  | 7          | 1546213-7   |
| 30.48  | 6          | 1546213-6   |
| 25.40  | 5          | 1546213-5   |
| 20.32  | 4          | 1546213-4   |
| 15.24  | 3          | 1546213-3   |
| 10.16  | 2          | 1546213-2   |
| A      | NO OF POSN | PART NUMBER |

|   |  |                                 |  |                    |
|---|--|---------------------------------|--|--------------------|
| THIS DRAWING IS A CONTROLLED DOCUMENT FOR TYCO ELECTRONICS CORPORATION. IT IS SUBJECT TO CHANGE AND THE CONTROLLING ENGINEERING ORGANIZATION SHOULD BE CONTACTED FOR THE LATEST REVISION. |  | DWN<br>S. WELDON<br>02JUN2003   | Tyco Electronics<br>Harrisburg, PA 17105-3608                                      |                    |
| DIMENSIONS:<br>mm   |  | CHK<br>C. RICHARD<br>02JUN2003  | NAME<br>TERMINAL BLOCK HEADER ASSEMBLY<br>180° OPEN ENDS, STACKING<br>5.08mm PITCH |                    |
| TOLERANCES UNLESS OTHERWISE SPECIFIED:<br>0 PLC ±.3<br>1 PLC ±.3<br>2 PLC ±.25<br>3 PLC ±.2<br>4 PLC ±.2<br>ANGLES ±2<br>FINISH   |  | APVD<br>C. RICHARD<br>02JUN2003 | PRODUCT SPEC<br>108-20166  |                    |
| MATERIAL  |  | APPLICATION SPEC<br>114-20079   | RESTRICTED TO<br>-   |                    |
| △ -   |  | WEIGHT<br>-                     | SIZE<br>A2   | CAGE CODE<br>00779 |
| CUSTOMER DRAWING  |  | DRAWING NO<br>1546213           |  | SCALE<br>3:1       |
|   |  | SHEET<br>1                      |  | REV<br>A           |