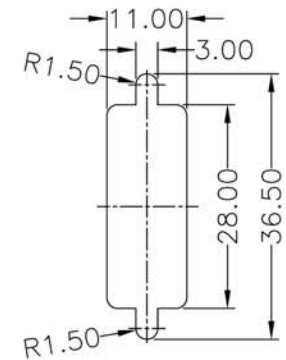
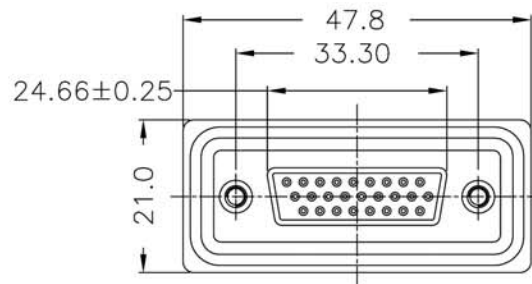
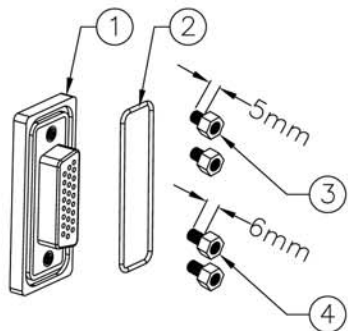


Screw L=5.0 For Panel Thickness Under 1.2mm

Screw L=6.0 For Panel Thickness Between 1.2~2.0mm



Recommended Panel Cut-Out

Note:

- * Waterproof Rate: IP67
- * Connector: Black, Nylon+GF
- * Pin: Copper Alloy, Gold Plated



ITEM NO
A-HDF26AA-WP

TITLE
D-SUB, High Density, Female, 26 pin, 90°

ASSMANN
Electronics, Inc.

1840 W. Drake Drive, Suite 101 - Tempe, AZ 85283
Toll Free: 1-877-277-6266 Email: info@usa-assmann.com

THIS DRAWING IS UNPUBLISHED
© Copyright 2008 by Assmann Electronic Components
All International Rights Reserved