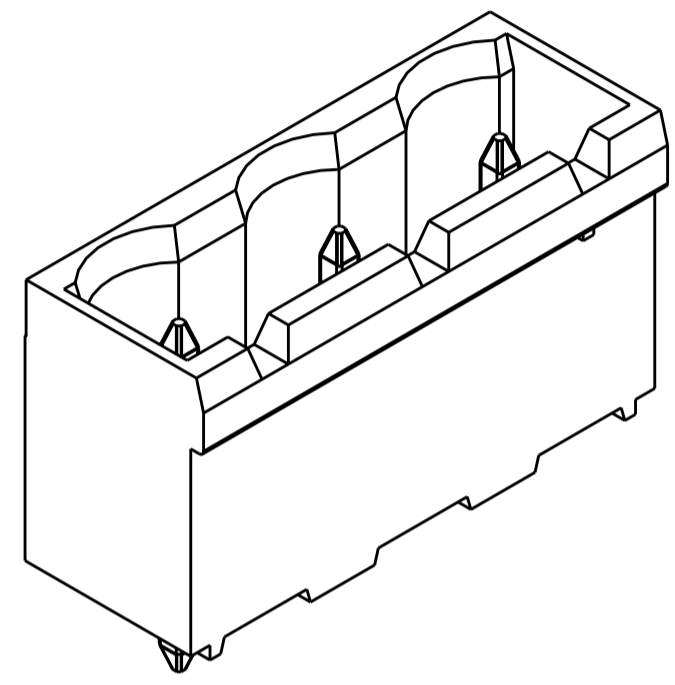
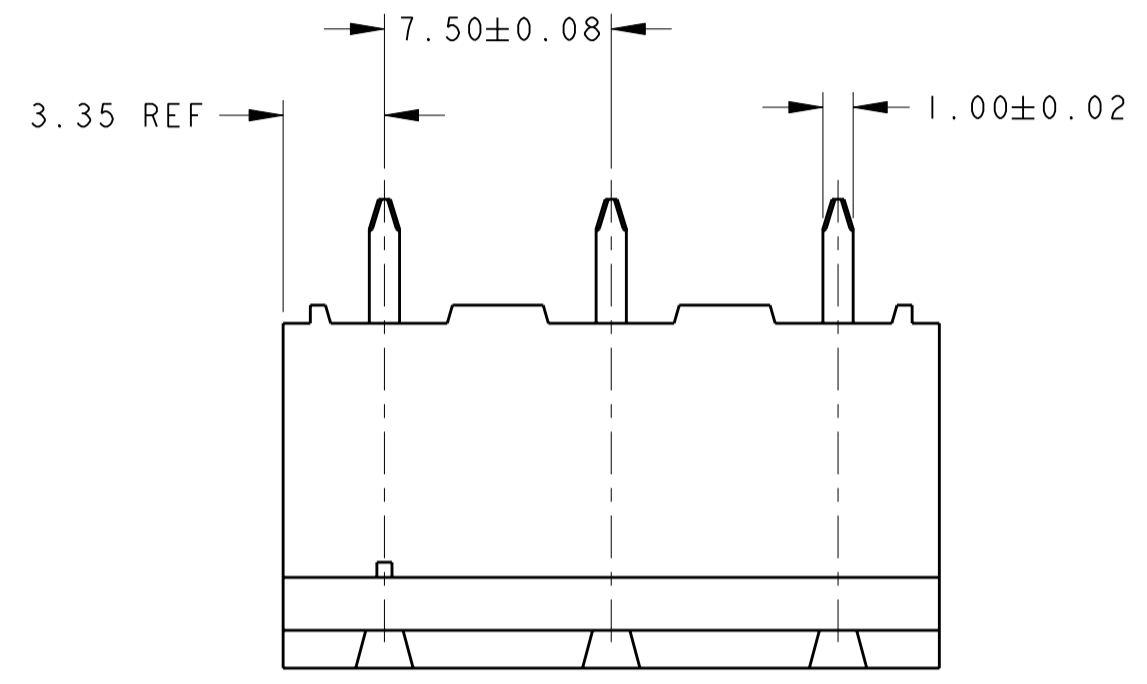


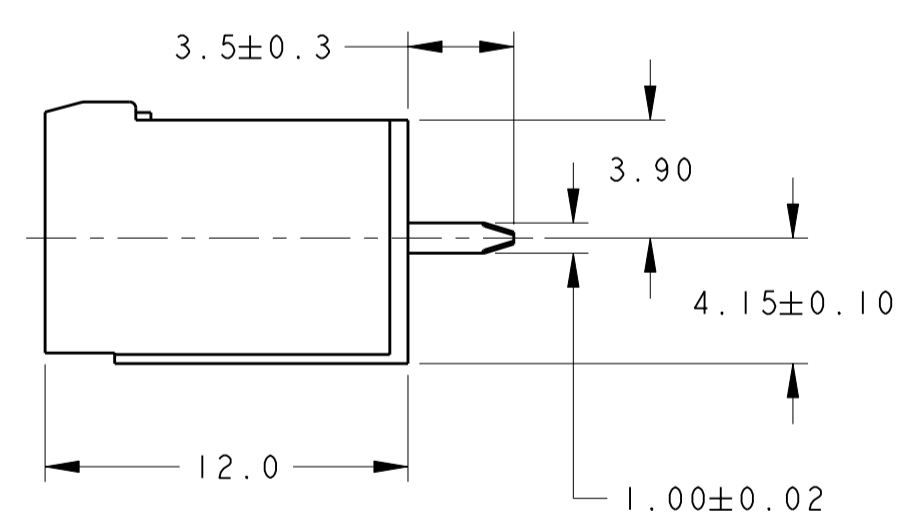
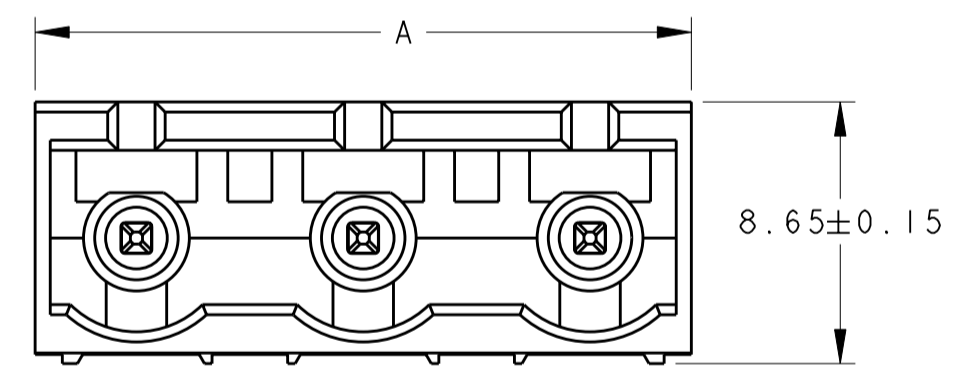
THIS DRAWING IS UNPUBLISHED. RELEASED FOR PUBLICATION 20
 © COPYRIGHT 20 BY TYCO ELECTRONICS CORPORATION. ALL RIGHTS RESERVED.

| LOC | | DIST | | REVISIONS | | | |
|-----|-----|-------------|---------------------------|-----------|-----|------|--|
| P | LTR | DESCRIPTION | | DATE | DWN | APVD | |
| FT | 0 | 01 | REVISED PER ECO-07-011269 | 15MAY2007 | SS | CR | |

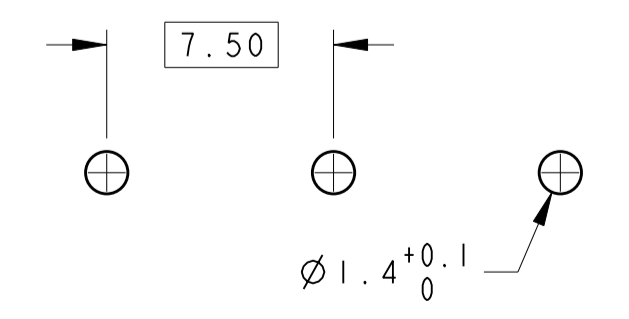


1776153-3 AS SHOWN

- MATERIALS AND FINISH
 HOUSING: HIGH TEMPERATURE POLYAMIDE, UL 94V-0 RATED,
 COLOR: BLACK.
 TERMINAL: PHOSPHOR BRONZE, TIN PLATED.
- SUITABLE FOR 1,6-2,4mm PC BOARD THICKNESS.
- RECOGNIZED UNDER THE COMPONENT PROGRAM OF
 UNDERWRITERS LABORATORIES INC., FILE N° E60677.
- IMQ CERTIFICATE WITH SURVEILLANCE IN CONFORMITY
 WITH IEC 998-1/998-2-1.



| 89.20 | 12 | 1-1776153-2 |
|-------|------------|-------------|
| 81.70 | 11 | 1-1776153-1 |
| 74.20 | 10 | 1-1776153-0 |
| 66.70 | 9 | 1776153-9 |
| 59.20 | 8 | 1776153-8 |
| 51.70 | 7 | 1776153-7 |
| 44.20 | 6 | 1776153-6 |
| 36.70 | 5 | 1776153-5 |
| 29.20 | 4 | 1776153-4 |
| 21.70 | 3 | 1776153-3 |
| 14.20 | 2 | 1776153-2 |
| A | NO OF POSN | PART NUMBER |



RECOMMENDED PC BOARD LAYOUT

| | | | |
|---|--|--|--|
| <small>THIS DRAWING IS A CONTROLLED DOCUMENT FOR TYCO ELECTRONICS CORPORATION IT IS SUBJECT TO CHANGE AND THE CONTROLLING ENGINEERING ORGANIZATION SHOULD BE CONTACTED FOR THE LATEST REVISION.</small> | | DWN S. WELDON 26 JUL 2005 CHK C. RICHARD 26 JUL 2005 APVD C. RICHARD 26 JUL 2005 | Tyco Electronics Harrisburg, PA 17105-3608 |
| DIMENSIONS: mm | TOLERANCES UNLESS OTHERWISE SPECIFIED: 0 PLC ±- 1 PLC ±.3 2 PLC ±.25 3 PLC ±- 4 PLC ±- ANGLES ±2 FINISH | PRODUCT SPEC - APPLICATION SPEC - WEIGHT - | NAME TERMINAL BLOCK HEADER ASSEMBLY 180 DEGREE, CLOSED END 7.5mm PITCH |
| MATERIAL | - | CUSTOMER DRAWING | SIZE A2 CAGE CODE 00779 DRAWING NO C-1776153 RESTRICTED TO - |
| SCALE 4:1 | | SHEET 1 OF 1 REV 01 | |