

PCM510xA 具有 PLL 和 32 位、384kHz PCM 接口的 2.1 V_{RMS}、112/106/100dB 音频立体声 DAC

1 特性

- 超低带外噪声
- 具有 BCK 基准的高性能集成音频锁相环 (PLL)，可在内部生成 SCK
- 直接线路电平 2.1 V_{RMS} 输出
- 无需隔直电容
- 线路电平输出支持低至 1kΩ 的负载
- 智能静音系统：软斜升或斜降搭配模拟静音，实现 120dB 静音信噪比 (SNR)
- 接收 16、24 和 32 位音频数据
- PCM 数据样式：I²S，左对齐
- 当 LRCK 和 BCK 被置为无效时，自动进入省电模式
- 1.8V 或 3.3V 故障安全低压 CMOS (LVCMOS) 数字输入
- 采用硬件引脚的简易配置
- 单电源供电：14
 - 3.3V 模拟电源、1.8V 或 3.3V 数字电源
- 符合 AEC-Q100 标准

2 应用

- A/V 接收器、DVD、BD 播放器
- 汽车信息娱乐系统和远程信息处理
- HDTV 接收器
- 汽车售后加装放大器

3 说明

PCM510xA 器件属于单片 CMOS 集成电路系列，由立体声数模转换器 (DAC) 和采用薄型小外形尺寸 (TSSOP) 封装的附加支持电路组成。PCM510xA 器件使用 TI 最新一代高级分段 DAC 架构产品，可实现出色的动态性能并提升针对时钟抖动的耐受度。

凭借 DirectPath™ 电荷泵技术，PCM510xA 器件提供 2.1 V_{RMS} 中央接地输出（设计人员无需在输出上连接隔直电容）以及传统意义上与单电源线路驱动器相关的外部静音电路。

集成线路驱动器的每个引脚支持低至 1kΩ 的负载，从而在性能上超过其他所有基于电荷泵的线路驱动器。

器件上集成的 PLL 免除了对于系统时钟（通常称为主时钟）的需要，从而实现一个 3 线制 I²C 连接并减少了系统电磁干扰 (EMI)。

智能时钟误差与 PowerSense 欠压保护采用双层系统，能够消除喀嗒和噼啪声。

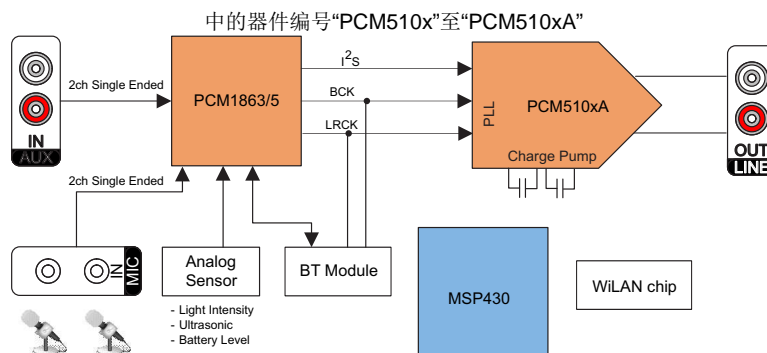
相比许多传统的开关电容 DAC 架构，PCM510xA 系列能够将带外噪声控制在 20dB 的较低水平，从而减少下游放大器/ADC 中的 EMI 和混叠（在 100kHz（OBN 典型值）到 3MHz 之间测得）。

表 1. 器件信息⁽¹⁾

| 器件型号 | 封装 | 封装尺寸 (标称值) |
|----------|------------|-----------------|
| PCM5102A | TSSOP (20) | 5.50mm x 4.40mm |
| PCM5101A | | |
| PCM5100A | | |

(1) 要了解所有可用封装，请见数据表末尾的可订购产品附录。

4 简化系统图



目录

| | | | | | |
|----------|--|-----------|-----------|--|-----------|
| 1 | 特性 | 1 | 9.3 | Feature Description..... | 14 |
| 2 | 应用 | 1 | 9.4 | Device Functional Modes..... | 25 |
| 3 | 说明 | 1 | 10 | Applications and Implementation..... | 26 |
| 4 | 简化系统图 | 1 | 10.1 | Application Information..... | 26 |
| 5 | 修订历史记录 | 2 | 11 | Power Supply Recommendations | 28 |
| 6 | Device Comparison | 4 | 11.1 | Power Supply Distribution and Requirements | 28 |
| 7 | Pin Configuration and Functions | 5 | 11.2 | Recommended Powerdown Sequence..... | 28 |
| 8 | Specifications..... | 6 | 11.3 | External Power Sense Undervoltage Protection Mode | 30 |
| 8.1 | Absolute Maximum Ratings | 6 | 11.4 | Power-On Reset Function..... | 32 |
| 8.2 | ESD Ratings | 6 | 11.5 | PCM510xA Power Modes | 33 |
| 8.3 | Recommended Operating Conditions..... | 6 | 12 | Layout..... | 34 |
| 8.4 | Thermal Information | 6 | 12.1 | Layout Guidelines | 34 |
| 8.5 | Electrical Characteristics..... | 7 | 13 | 器件和文档支持 | 35 |
| 8.6 | Timing Requirements..... | 11 | 13.1 | 相关链接 | 35 |
| 8.7 | Timing Requirements, XSM T..... | 11 | 13.2 | 社区资源 | 35 |
| 8.8 | Typical Characteristics..... | 12 | 13.3 | 商标 | 35 |
| 9 | Detailed Description | 14 | 13.4 | 静电放电警告 | 35 |
| 9.1 | Overview | 14 | 14 | 机械、封装和可订购信息..... | 35 |
| 9.2 | Functional Block Diagram | 14 | 14.1 | 机械数据 | 35 |

5 修订历史记录

注：之前版本的页码可能与当前版本有所不同。

| Changes from Revision B (January 2015) to Revision C | Page |
|---|------|
| • 已更改 简化系统图 | 1 |
| • Changed typical performance table to reflect part differences accurately | 4 |
| • Changed "Storage temperatures, T _{stg} " to "Operating junction temperature range at -40°C to 130°C" | 6 |
| • Changed "Storage temperature (Q1 devices) -40°C to 125°C" to "Storage temperatures, T _{stg} -65°C to 150°C" | 6 |
| • Changed the stereo line output load resistance MIN value in the Recommended Operating Conditions from "2 kΩ" to "1 kΩ"..... | 6 |
| • Changed the operating junction temperature range in the Recommended Operating Conditions from "MIN = -25°C MAX = 85°C" to "MIN = -40°C MAX = 130°C"..... | 6 |
| • Added "Q1 Automotive grade devices..." and "Consumer grade (non-Q1) devices..." to the condition statement in the Electrical Characteristics | 7 |
| • Added "Q1 Automotive grade devices..." and "Consumer grade (non-Q1) devices..." to the condition statement in the Typical Characteristics graphs section..... | 12 |
| • 已更改 "MCK" to "SCK" at the PLL Clock in the Functional Block Diagram | 14 |
| • Added label "Mute Circuit" and ground symbols to pins DEMP and FMT in Figure 33 | 26 |

| Changes from Revision A (September 2012) to Revision B | Page |
|---|------|
| • 已添加 ESD 额定值表，详细 说明部分，应用和实施部分，电源相关建议部分，器件和文档支持部分以及机械、封装和可订购信息 | 1 |
| • 已添加 1.8V DVDD 电源项 | 1 |
| • 已更改 特性 列表。 | 1 |
| • Changed "Operating temperature range " to "Operating junction temperature range" | 6 |
| • Deleted redundant PLL specification in the Recommended Operating Conditions | 6 |
| • 已删除 "Intelligent clock error..." and "...for pop-free performance." | 14 |
| • Clarified clock generation explanation..... | 24 |

- Clarified external SCK discussion. 25
- Deleted "The PCM510xA disables the internal PLL when an external SCK is supplied." 25

Changes from Original (May 2012) to Revision A

Page

- 已更改 前两页的编排 1
- Changed "VOUT = -1 dB" to "THD+N at -1 dBFS" in in the *Dynamic Performance* section of the [Electrical Characteristics](#) 8
- Changed reference to correct footnote..... 10
- Changed t_{SCKH} and t_{SCKL} values to 9ns..... 11
- Removed 48kHz sample rate with PLL-generated clock..... 25

6 Device Comparison

Differences Between PCM510xA Devices

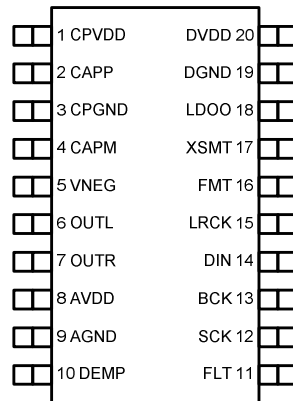
| PART NUMBER | DYNAMIC RANGE | SNR | THD |
|-------------|---------------|--------|--------|
| PCM5102A | 112dB | 112dB | –93 dB |
| PCM5101A | 106 dB | 106 dB | –92 dB |
| PCM5100A | 100 dB | 100 dB | –90 dB |

Typical Performance (3.3 V Power Supply)

| PARAMETER | PCM5102 / PCM5101 / PCM5100 |
|--|-----------------------------------|
| SNR | 112 / 106 / 100 dB |
| Dynamic range | 112 / 106 / 100 dB |
| THD+N at –1 dBFS | –93/ –92 / –90 dB |
| Full-scale single-ended output | 2.1 V _{RMS} (GND center) |
| Normal 8x oversampling digital filter latency | 20t _S |
| Low latency 8x oversampling digital filter latency | 3.5t _S |
| Sampling frequency | 8 kHz to 384 kHz |
| System clock multiples (f _{SCK}): 64, 128, 192, 256, 384, 512, 768, 1024, 1152, 1536, 2048, 3072 | Up to 50 MHz |

7 Pin Configuration and Functions

**PW 20-Pin Package
(Top View)**



Pin Functions

| PIN | | TYPE | DESCRIPTION |
|-------|-----|------|---|
| NAME | NO. | | |
| AGND | 9 | — | Analog ground |
| AVDD | 8 | P | Analog power supply, 3.3 V |
| BCK | 13 | I | Audio data bit clock input ⁽¹⁾ |
| CAPM | 4 | O | Charge pump flying capacitor terminal for negative rail |
| CAPP | 2 | O | Charge pump flying capacitor terminal for positive rail |
| CPGND | 3 | — | Charge pump ground |
| CPVDD | 1 | P | Charge pump power supply, 3.3 V |
| DEMP | 10 | I | De-emphasis control for 44.1-kHz sampling rate ⁽¹⁾ : Off (Low) / On (High) |
| DGND | 19 | — | Digital ground |
| DIN | 14 | I | Audio data input ⁽¹⁾ |
| DVDD | 20 | P | Digital power supply, 1.8 V or 3.3 V |
| FLT | 11 | I | Filter select : Normal latency (Low) / Low latency (High) |
| FMT | 16 | I | Audio format selection : I ² S (Low) / Left-justified (High) |
| LDOO | 18 | P | Internal logic supply rail terminal for decoupling, or external 1.8 V supply terminal |
| LRCK | 15 | I | Audio data word clock input ⁽¹⁾ |
| OUTL | 6 | O | Analog output from DAC left channel |
| OUTR | 7 | O | Analog output from DAC right channel |
| SCK | 12 | I | System clock input ⁽¹⁾ |
| VNEG | 5 | O | Negative charge pump rail terminal for decoupling, –3.3 V |
| XSMT | 17 | I | Soft mute control ⁽¹⁾ : Soft mute (Low) / soft un-mute (High) |

(1) Failsafe LVCMOS Schmitt trigger input

8 Specifications

8.1 Absolute Maximum Ratings

over operating free-air temperature range (unless otherwise noted)

| | | MIN | MAX | UNIT |
|---------------------------------------|------------------------|------|------|------|
| Supply voltage | AVDD, CPVDD, DVDD | -0.3 | 3.9 | V |
| | LDO with DVDD at 1.8 V | -0.3 | 2.25 | |
| Digital input voltage | DVDD at 1.8 V | -0.3 | 2.25 | |
| | DVDD at 3.3 V | -0.3 | 3.9 | |
| Analog input voltage | | -0.3 | 3.9 | |
| Operating junction temperature range | | -40 | 130 | |
| Storage temperature, T _{stg} | | -65 | 150 | °C |

8.2 ESD Ratings

| | | VALUE | UNIT |
|--|--|-------|------|
| V _(ESD) Electrostatic discharge | Human-body model (HBM), per ANSI/ESDA/JEDEC JS-001 ⁽¹⁾ | ±2000 | V |
| | Charged-device model (CDM), per JEDEC specification JESD22-C101 ⁽²⁾ | ±750 | |

(1) JEDEC document JEP155 states that 500-V HBM allows safe manufacturing with a standard ESD control process.

(2) JEDEC document JEP157 states that 250-V CDM allows safe manufacturing with a standard ESD control process.

8.3 Recommended Operating Conditions

| | | | | MIN | NOM | MAX | UNIT |
|-------------------|--------------------------------------|------------------------------------|------------|------|-----|------|------|
| AVDD | Analog power supply voltage range | Referenced to AGND ⁽¹⁾ | VCOM mode | 3 | 3.3 | 3.46 | V |
| | | | VREF mode | 3.2 | 3.3 | 3.46 | |
| DVDD | Digital power supply voltage range | Referenced to DGND ⁽¹⁾ | 1.8 V DVDD | 1.65 | 1.8 | 1.95 | V |
| | | | 3.3 V DVDD | 3.1 | 3.3 | 3.46 | |
| CPVDD | Charge pump supply voltage range | Referenced to CPGND ⁽¹⁾ | | 3.1 | 3.3 | 3.46 | V |
| MCLK | Master clock frequency | | | | | 50 | MHz |
| LOL, LOR | Stereo line output load resistance | | | 1 | 10 | | kΩ |
| C _{LOUT} | Digital output load capacitance | | | | 10 | | pF |
| T _J | Operating junction temperature range | | | -40 | | 130 | °C |

(1) All grounds on board are tied together; they must not differ in voltage by more than 0.2 V max, for any combination of ground signals.

8.4 Thermal Information

| THERMAL METRIC ⁽¹⁾ | | PW | UNIT |
|-------------------------------|--|---------|------|
| | | 20 PINS | |
| R _{θJA} | Junction-to-ambient thermal resistance | 91.2 | °C/W |
| R _{θJC(top)} | Junction-to-case (top) thermal resistance | 25.3 | |
| R _{θJB} | Junction-to-board thermal resistance | 42 | |
| ψ _{JT} | Junction-to-top characterization parameter | 1 | |
| ψ _{JB} | Junction-to-board characterization parameter | 41.5 | |
| R _{θJC(bot)} | Junction-to-case (bottom) thermal resistance | — | |

(1) For more information about traditional and new thermal metrics, see the *IC Package Thermal Metrics* application report, [SPRA953](#).

8.5 Electrical Characteristics

Q1 Automotive grade devices are specified for $T_A = -40^\circ\text{C}$ to 125°C . Consumer grade (non-Q1) devices are specified at $T_A = 25^\circ\text{C}$. All devices in the family are characterized with $AV_{DD} = CP_{VDD} = DVD = 3.3\text{ V}$, $f_S = 48\text{ kHz}$, system clock = $512 f_S$ and 24-bit data unless otherwise noted.

| PARAMETER | | TEST CONDITIONS | MIN | TYP | MAX | UNIT |
|---|------------------------|--|----------------------|----------------------|-----------------------|---------------|
| | Resolution | | 16 | 24 | 32 | Bits |
| Data Format (PCM Mode) | | | | | | |
| | Audio data bit length | | 16 | 24 | 32 | Bits |
| $f_S^{(1)}$ | Sampling frequency | | 8 | | 384 | kHz |
| f_{SCK} | System clock frequency | Clock multiples: 64, 128, 192, 256, 384, 512, 768, 1024, 1152, 1536, 2048, or 3072 | | | 50 | MHz |
| Digital Input/Output for non-Q1 Consumer Grade Devices | | | | | | |
| Logic family: 3.3 V LVCMOS compatible | | | | | | |
| V_{IH} | Input logic level | | $0.7 \times DV_{DD}$ | | | V |
| V_{IL} | | | | $0.3 \times DV_{DD}$ | | |
| I_{IH} | Input logic current | $V_{IN} = V_{DD}$ | | | 10 | μA |
| I_{IL} | | $V_{IN} = 0\text{ V}$ | | | -10 | |
| V_{OH} | Output logic level | $I_{OH} = -4\text{ mA}$ | $0.8 \times DV_{DD}$ | | | V |
| V_{OL} | | $I_{OL} = 4\text{ mA}$ | | | $0.22 \times DV_{DD}$ | |
| Logic family 1.8 V LVCMOS compatible | | | | | | |
| V_{IH} | Input logic level | | $0.7 \times DV_{DD}$ | | | V |
| V_{IL} | | | | $0.3 \times DV_{DD}$ | | |
| I_{IH} | Input logic current | $V_{IN} = V_{DD}$ | | | 10 | μA |
| I_{IL} | | $V_{IN} = 0\text{ V}$ | | | -10 | |
| V_{OH} | Output logic level | $I_{OH} = -2\text{ mA}$ | $0.8 \times DV_{DD}$ | | | V |
| V_{OL} | | $I_{OL} = 2\text{ mA}$ | | | $0.22 \times DV_{DD}$ | |
| Digital Input/Output for Q1 Automotive Grade Devices | | | | | | |
| Logic family: 3.3 V LVCMOS compatible | | | | | | |
| V_{IH} | Input logic level | | $0.7 \times DV_{DD}$ | | | V |
| V_{IL} | | | | $0.3 \times DV_{DD}$ | | |
| I_{IH} | Input logic current | $V_{IN} = V_{DD}$ | | | 10 | μA |
| I_{IL} | | $V_{IN} = 0\text{ V}$ | | | -10 | |
| V_{OH} | Output logic level | $I_{OH} = -4\text{ mA}$ | $0.8 \times DV_{DD}$ | | | V |
| V_{OL} | | $I_{OL} = 4\text{ mA}$ | | | $0.22 \times DV_{DD}$ | |
| Logic family 1.8 V LVCMOS compatible | | | | | | |
| V_{IH} | Input logic level | | $0.7 \times DV_{DD}$ | | | V |
| V_{IL} | | | | $0.3 \times DV_{DD}$ | | |
| I_{IH} | Input logic current | $V_{IN} = V_{DD}$ | | | 10 | μA |
| I_{IL} | | $V_{IN} = 0\text{ V}$ | | | -10 | |
| V_{OH} | Output logic level | $I_{OH} = -2\text{ mA}$ | $0.8 \times DV_{DD}$ | | | V |
| V_{OL} | | $I_{OL} = 2\text{ mA}$ | | | $0.3 \times DV_{DD}$ | |

(1) One sample time is defined as the reciprocal of the sampling frequency. $1t_S = 1/f_S$

Electrical Characteristics (continued)

Q1 Automotive grade devices are specified for $T_A = -40^\circ\text{C}$ to 125°C . Consumer grade (non-Q1) devices are specified at $T_A = 25^\circ\text{C}$. All devices in the family are characterized with $AVDD = CPVDD = DVD = 3.3\text{ V}$, $f_S = 48\text{ kHz}$, system clock = $512 f_S$ and 24-bit data unless otherwise noted.

| PARAMETER | | TEST CONDITIONS | | MIN | TYP | MAX | UNIT |
|--|--|-----------------|--|-----|-----|-----|------|
| Dynamic Performance (PCM Mode)⁽²⁾⁽³⁾ | | | | | | | |
| THD+N at $-1\text{ dBFS}^{(3)}$ | $f_S = 48\text{ kHz}$ | PCM5102A | | | -93 | -83 | dB |
| | | PCM5101A | | | -92 | -82 | |
| | | PCM5100A | | | -90 | -80 | |
| | $f_S = 96\text{ kHz and }192\text{ kHz}$ | PCM5102A | | | -93 | | |
| | | PCM5101A | | | -92 | | |
| | | PCM5100A | | | -90 | | |
| Dynamic range ⁽³⁾ | EIAJ, A-weighted, $f_S = 48\text{ kHz}$ | PCM5102A | | 106 | 112 | | |
| | | PCM5101A | | 100 | 106 | | |
| | | PCM5100A | | 95 | 100 | | |
| | EIAJ, A-weighted, $f_S = 96\text{ kHz and }192\text{ kHz}$ | PCM5102A | | | | 112 | |
| | | PCM5101A | | | | 106 | |
| | | PCM5100A | | | | 100 | |
| Signal-to-noise ratio ⁽³⁾ | EIAJ, A-weighted, $f_S = 48\text{ kHz}$ | PCM5102A | | | | 112 | |
| | | PCM5101A | | | | 106 | |
| | | PCM5100A | | | | 100 | |
| | EIAJ, A-weighted, $f_S = 96\text{ kHz and }192\text{ kHz}$ | PCM5102A | | | | | 112 |
| | | PCM5101A | | | | | 106 |
| | | PCM5100A | | | | | 100 |
| Signal to noise ratio with analog mute ⁽³⁾⁽⁴⁾ | EIAJ, A-weighted, $f_S = 48\text{ kHz}$ | | | 113 | 123 | | |
| | EIAJ, A-weighted, $f_S = 96\text{ kHz and }192\text{ kHz}$ | | | | 123 | | |
| Channel separation | $f_S = 48\text{ kHz}$ | PCM5102A | | 100 | 109 | | |
| | | PCM5101A | | 95 | 103 | | |
| | | PCM5100A | | 90 | 97 | | |
| | $f_S = 96\text{ kHz}$ | PCM5102A | | | | 109 | |
| | | PCM5101A | | | | 103 | |
| | | PCM5100A | | | | 97 | |
| | $f_S = 192\text{ kHz}$ | PCM5102A | | | | 109 | |
| | | PCM5101A | | | | 103 | |
| | | PCM5100A | | | | 97 | |

- (2) Filter condition: THD+N: 20-Hz HPF, 20-kHz AES17 LPF; Dynamic range: 20-Hz HPF, 20-kHz AES17 LPF; A-weighted signal-to-noise ratio: 20-Hz HPF, 20-kHz AES17 LPF; A-weighted channel separation: 20-Hz HPF, 20-kHz AES17 LPF. Analog performance specifications are measured using the System Two Cascade™ audio measurement system by Audio Precision™ in the RMS mode.
- (3) Output load is 10 kΩ, with 470-Ω output resistor and a 2.2-nF shunt capacitor (see recommended output filter).
- (4) Assert XSMT or both L-ch and R-ch PCM data are Bipolar Zero.

Electrical Characteristics (continued)

Q1 Automotive grade devices are specified for $T_A = -40^{\circ}\text{C}$ to 125°C . Consumer grade (non-Q1) devices are specified at $T_A = 25^{\circ}\text{C}$. All devices in the family are characterized with $AV_{DD} = CPV_{DD} = DVD = 3.3\text{ V}$, $f_S = 48\text{ kHz}$, system clock = $512 f_S$ and 24-bit data unless otherwise noted.

| PARAMETER | TEST CONDITIONS | MIN | TYP | MAX | UNIT | |
|---|--|---------------------------------|----------|--------------|------------|-----|
| Analog Output | | | | | | |
| Output voltage | | | 2.1 | | V_{RMS} | |
| Gain error | | -6 | ± 2 | 6 | % of FSR | |
| Gain error on Q1 Automotive Grade Devices | | -7 | ± 2 | 7 | % of FSR | |
| Gain mismatch, channel-to-channel | | -6 | ± 2 | 6 | % of FSR | |
| Gain mismatch, channel-to-channel on Q1 Devices | | -6 | ± 2 | 6 | % of FSR | |
| PCM5100/1 bipolar zero error | At bipolar zero | -5 | ± 1 | 5 | mV | |
| PCM5102 Bipolar zero error | At bipolar zero | -2 | ± 1 | 2 | mV | |
| Load impedance | | 1 | | | k Ω | |
| Filter Characteristics–1: Normal | | | | | | |
| Pass band | | | | $0.45f_S$ | | |
| Stop band | | $0.55f_S$ | | | | |
| Stop band attenuation | | -60 | | | dB | |
| Pass-band ripple | | | | ± 0.02 | | |
| Delay time | | | $20t_S$ | | s | |
| Filter Characteristics–2: Low Latency | | | | | | |
| Pass band | | | | $0.47f_S$ | | |
| Stop band | | $0.55f_S$ | | | | |
| Stop band attenuation | | -52 | | | dB | |
| Pass-band ripple | | | | ± 0.0001 | | |
| Delay time | | | $3.5t_S$ | | s | |
| Power Supply Requirements | | | | | | |
| DV_{DD} | Digital supply voltage | Target $DV_{DD} = 1.8\text{ V}$ | 1.65 | 1.8 | 1.95 | VDC |
| DV_{DD} | Digital supply voltage | Target $DV_{DD} = 3.3\text{ V}$ | 3 | 3.3 | 3.6 | VDC |
| AV_{DD} | Analog supply voltage | | 3 | 3.3 | 3.6 | |
| CPV_{DD} | Charge-pump supply voltage | | 3 | 3.3 | 3.6 | |
| I_{DD} | DV_{DD} supply current at $1.8\text{ V}^{(5)}$ | $f_S = 48\text{ kHz}$ | | 7 | | mA |
| | | $f_S = 96\text{ kHz}$ | | 8 | | |
| | | $f_S = 192\text{ kHz}$ | | 9 | | |
| I_{DD} | DV_{DD} supply current at $1.8\text{ V}^{(6)}$ | $f_S = 48\text{ kHz}$ | | 7 | | mA |
| | | $f_S = 96\text{ kHz}$ | | 8 | | |
| | | $f_S = 192\text{ kHz}$ | | 9 | | |
| I_{DD} | DV_{DD} supply current at $1.8\text{ V}^{(7)}$ | Standby | | 0.3 | | mA |
| I_{DD} | DV_{DD} supply current at $3.3\text{ V}^{(5)}$ | $f_S = 48\text{ kHz}$ | | 7 | 12 | mA |
| | | $f_S = 96\text{ kHz}$ | | 8 | | |
| | | $f_S = 192\text{ kHz}$ | | 9 | | |
| I_{DD} | DV_{DD} supply current at $3.3\text{ V}^{(6)}$ | $f_S = 48\text{ kHz}$ | | 8 | 13 | mA |
| | | $f_S = 96\text{ kHz}$ | | 9 | | |
| | | $f_S = 192\text{ kHz}$ | | 10 | | |
| I_{DD} | DV_{DD} supply current at $3.3\text{ V}^{(7)}$ | Standby | | 0.5 | 0.8 | mA |
| I_{DD} | AV_{DD} / CPV_{DD} supply current ⁽⁵⁾ | $f_S = 48\text{ kHz}$ | | 11 | 16 | mA |
| | | $f_S = 96\text{ kHz}$ | | 11 | | |
| | | $f_S = 192\text{ kHz}$ | | 11 | | |

(5) Input is Bipolar Zero data.

(6) Input is 1 kHz -1 dBFS data.

(7) Power Down Mode

Electrical Characteristics (continued)

Q1 Automotive grade devices are specified for $T_A = -40^\circ\text{C}$ to 125°C . Consumer grade (non-Q1) devices are specified at $T_A = 25^\circ\text{C}$. All devices in the family are characterized with $AV_{DD} = CPV_{DD} = DVD = 3.3\text{ V}$, $f_S = 48\text{ kHz}$, system clock = $512 f_S$ and 24-bit data unless otherwise noted.

| PARAMETER | | TEST CONDITIONS | MIN | TYP | MAX | UNIT |
|-----------|--|--------------------------------------|-----|-----|-------|------|
| I_{DD} | AV_{DD} / CPV_{DD} supply current ⁽⁶⁾ | $f_S = 48\text{ kHz}$ | | 22 | 32 | mA |
| | | $f_S = 96\text{ kHz}$ | | 22 | | |
| | | $f_S = 192\text{ kHz}$ | | 22 | | |
| I_{DD} | AV_{DD} / CPV_{DD} supply current ⁽⁷⁾ | $f_S = \text{n/a}$ | | 0.2 | 0.4 | mA |
| | Power dissipation, $DV_{DD} = 1.8\text{ V}$ ⁽⁵⁾ | $f_S = 48\text{ kHz}$ | | 49 | 185 | mW |
| | | $f_S = 96\text{ kHz}$ | | 51 | | |
| | | $f_S = 192\text{ kHz}$ | | 53 | | |
| | Power dissipation, $DV_{DD} = 1.8\text{ V}$ ⁽⁶⁾ | $f_S = 48\text{ kHz}$ | | 85 | 187 | mW |
| | | $f_S = 96\text{ kHz}$ | | 87 | | |
| | | $f_S = 192\text{ kHz}$ | | 89 | | |
| | Power dissipation, $DV_{DD} = 1.8\text{ V}$ ⁽⁷⁾ | $f_S = \text{n/a}$ (Power Down Mode) | | 1 | | mW |
| | Power dissipation, $DV_{DD} = 3.3\text{ V}$ ⁽⁵⁾ | $f_S = 48\text{ kHz}$ | | 60 | 92.4 | mW |
| | | $f_S = 96\text{ kHz}$ | | 63 | | |
| | | $f_S = 192\text{ kHz}$ | | 66 | | |
| | Power dissipation, $DV_{DD} = 3.3\text{ V}$ ⁽⁶⁾ | $f_S = 48\text{ kHz}$ | | 99 | 148.5 | mW |
| | | $f_S = 96\text{ kHz}$ | | 102 | | |
| | | $f_S = 192\text{ kHz}$ | | 106 | | |
| | Power dissipation, $DV_{DD} = 3.3\text{ V}$ ⁽⁷⁾ | $f_S = \text{n/a}$ (Power Down Mode) | | 2 | 4 | mW |

8.6 Timing Requirements

Figure 1 shows the timing requirements for the system clock input. For optimal performance, use a clock source with low phase jitter and noise.

| | | MIN | TYP | MAX | UNIT |
|------------|--------------------------------|--------------|-----|------|------|
| t_{SCY} | System clock pulse cycle time | 20 | | 1000 | ns |
| t_{SCKH} | System clock pulse width, High | DVDD = 1.8 V | 8 | | ns |
| | | DVDD = 3.3 V | 9 | | |
| t_{SCKL} | System clock pulse width, Low | DVDD = 1.8 V | 8 | | ns |
| | | DVDD = 3.3 V | 9 | | |

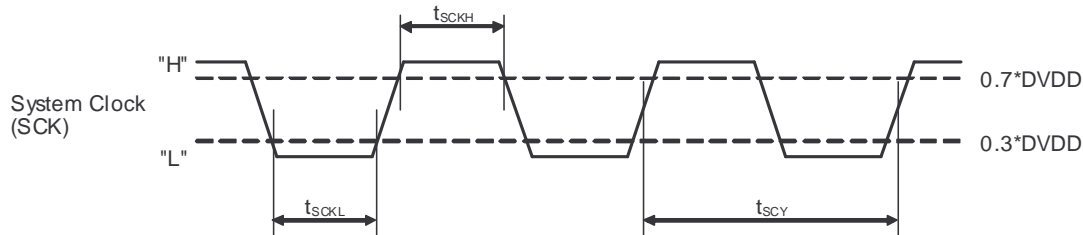


Figure 1. Timing Requirements for SCK Input

8.7 Timing Requirements, XSMT

| | | MIN | TYP | MAX | UNIT |
|-------|-----------|-----|-----|-----|------|
| t_r | Rise time | | | 20 | ns |
| t_f | Fall time | | | 20 | ns |

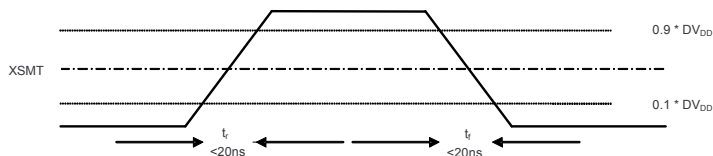


图 2. XSMT Timing for Soft Mute and Soft Un-Mute

8.8 Typical Characteristics

Q1 Automotive grade devices are specified for $T_A = -40^\circ\text{C}$ to 125°C . Consumer grade (non-Q1) devices are specified at $T_A = 25^\circ\text{C}$, $AV_{DD} = CPV_{DD} = DV_{DD} = 3.3\text{ V}$, $f_S = 48\text{ kHz}$, system clock = $512 f_S$ and 24-bit data unless otherwise noted.

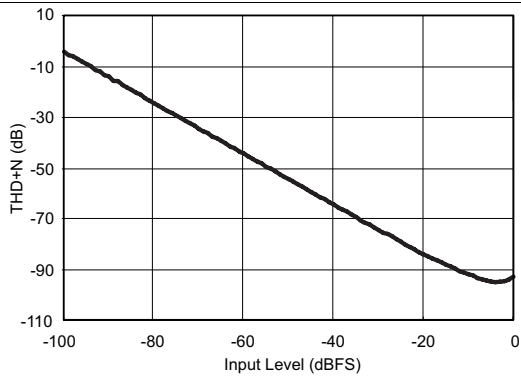


Figure 3. PCM5101 THD+N versus Input Level

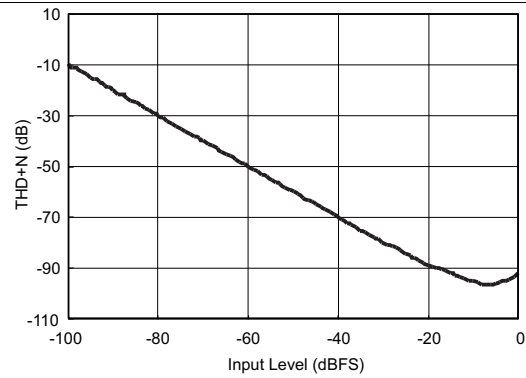


Figure 4. PCM5102 THD+N versus Input Level

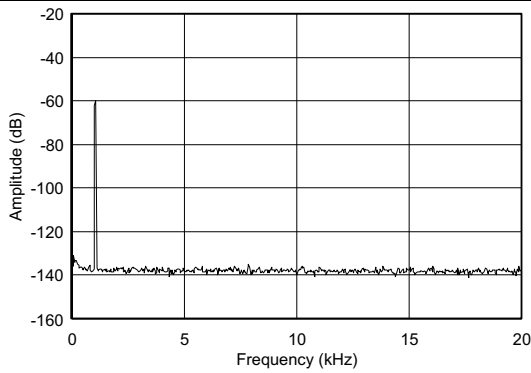


Figure 5. PCM5101 FFT Plot using a 1-kHz tone (-60dBFS) from DC to 20 kHz

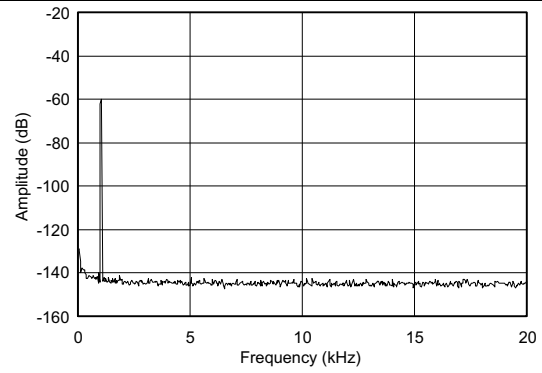


Figure 6. PCM5102 FFT Plot using a 1-kHz tone (-60dBFS) from DC to 20 kHz

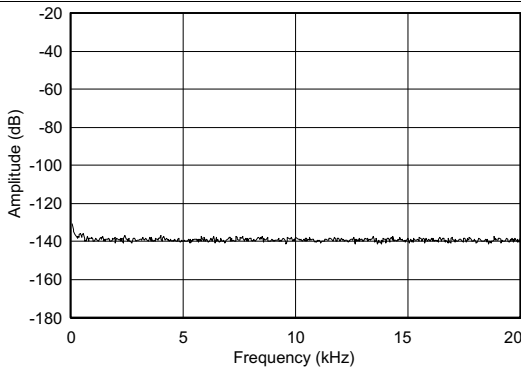


Figure 7. PCM5101 FFT Plot At Bipolar Zero Data (BPZ)

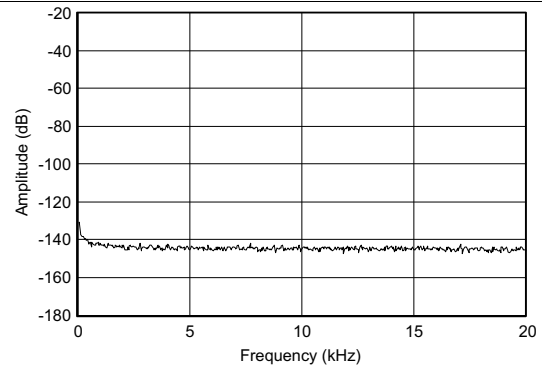


Figure 8. PCM5102 FFT Plot at BPZ

Typical Characteristics (continued)

Q1 Automotive grade devices are specified for $T_A = -40^{\circ}\text{C}$ to 125°C . Consumer grade (non-Q1) devices are specified at $T_A = 25^{\circ}\text{C}$, $AV_{DD} = CPV_{DD} = DV_{DD} = 3.3\text{ V}$, $f_S = 48\text{ kHz}$, system clock = $512 f_S$ and 24-bit data unless otherwise noted.

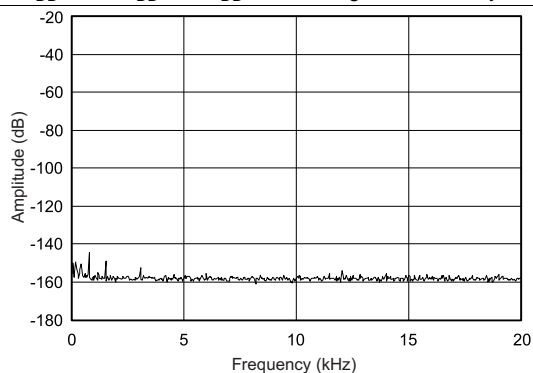


Figure 9. PCM5101 FFT Plot at BPZ With Analog Mute (AMUTE)

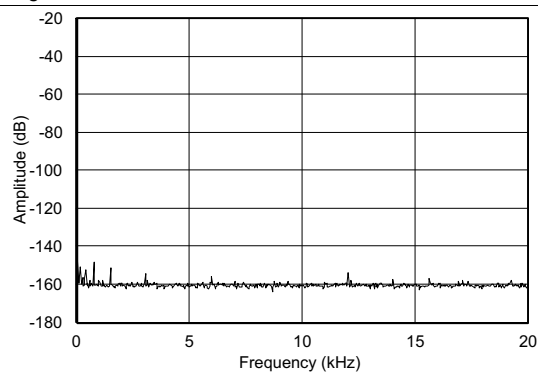


Figure 10. PCM5102 FFT Plot at BPZ With Analog Mute (AMUTE)

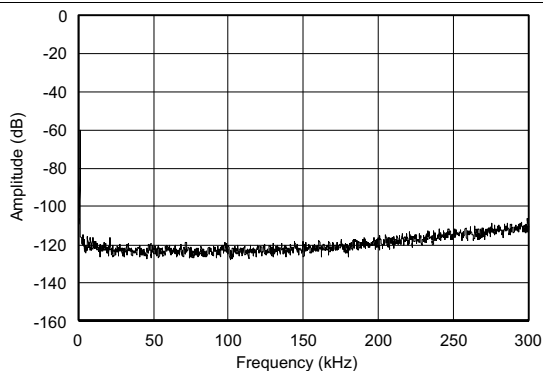


Figure 11. PCM5101 FFT Plot using a 1-kHz tone (-60dBFS) from DC to 300 kHz

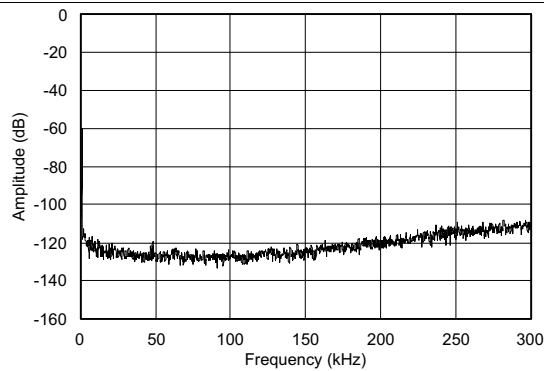


Figure 12. PCM5102 FFT Plot using a 1-kHz tone (-60dBFS) from DC to 300 kHz

9 Detailed Description

9.1 Overview

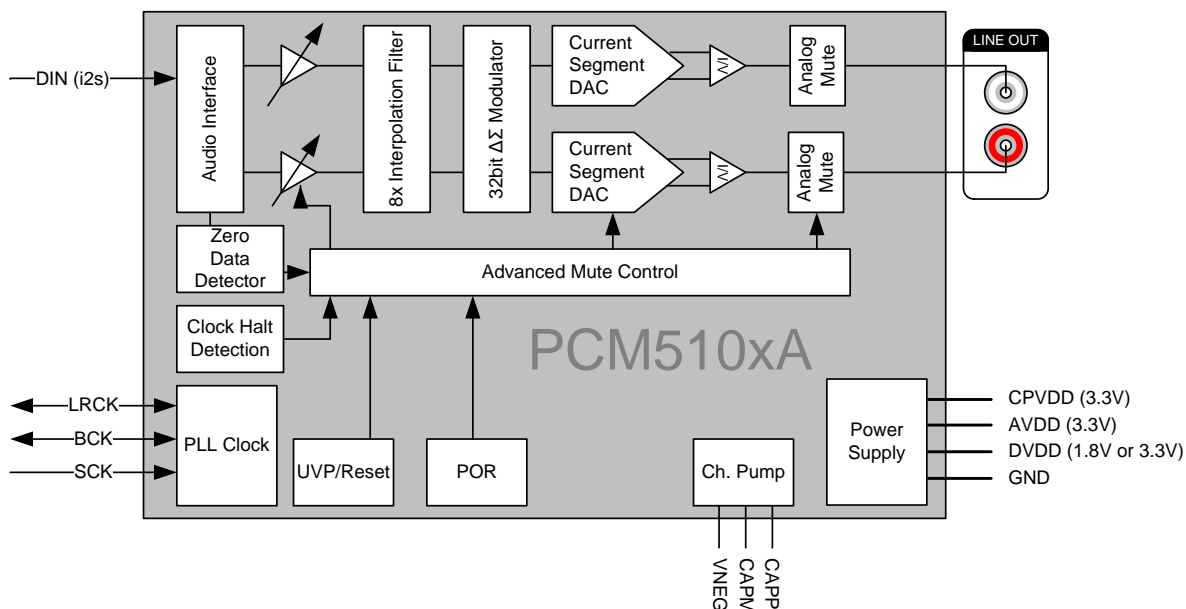
The integrated PLL on the device provided adds the flexibility to remove the system clock (commonly known as master clock), allowing a 3-wire I²S connection and reducing system EMI.

Powersense undervoltage protection utilizes a two-level mute system. Upon clock error or system power failure, the device digitally attenuates the data (or last known good data) and then mutes the analog circuit.

Compared with existing DAC technology, the PCM510xA devices offer up to 20 dB lower out-of-band noise, reducing EMI and aliasing in downstream amplifiers/ADCs. (from traditional 100-kHz OBN measurements to 3 MHz).

The PCM510xA devices accept industry-standard audio data formats with 16- to 32-bit data. Sample rates up to 384 kHz are supported.

9.2 Functional Block Diagram



9.3 Feature Description

9.3.1 Terminology

Sampling frequency is symbolized by f_s . Full scale is symbolized by FS. Sample time as a unit is symbolized by t_s .

9.3.2 Audio Data Interface

9.3.2.1 Audio Serial Interface

The audio interface port is a 3-wire serial port with the signals LRCK, BCK, and DIN. BCK is the serial audio bit clock, used to clock the serial data present on DIN into the serial shift register of the audio interface. Serial data is clocked into the PCM510xA on the rising edge of BCK. LRCK is the serial audio left/right word clock. LRCK polarity for left/right is given by the format selected.

Feature Description (continued)

Table 2. PCM510xA Audio Data Formats, Bit Depths and Clock Rates

| CONTROL MODE | FORMAT | DATA BITS | MAX LRCK FREQUENCY [f _s] | SCK RATE [x f _s] | BCK RATE [x f _s] |
|------------------|---------------------|----------------|--------------------------------------|------------------------------|------------------------------|
| Hardware Control | I ² S/LJ | 32, 24, 20, 16 | Up to 192 kHz | 128 – 3072 (≤50MHz) | 64, 48, 32 |
| | | | 384 kHz | 64, 128 | 64, 48, 32 |

The PCM510xA requires the synchronization of LRCK and system clock, but does not need a specific phase relation between LRCK and system clock.

If the relationship between LRCK and system clock changes more than ±5 SCK, internal operation (using an onchip oscillator) is initialized within one sample period and analog outputs are forced to the bipolar zero level until resynchronization between LRCK and system clock is completed.

If the relationship between LRCK and BCK are invalid more than 4 LRCK periods, internal operation (using an onchip oscillator) is initialized within one sample period and analog outputs are forced to the bipolar zero level until resynchronization between LRCK and BCK is completed.

9.3.2.2 PCM Audio Data Formats

The PCM510xA supports industry-standard audio data formats, including standard I²S and left-justified. Data formats are selected using the FMT (pin 16), Low for I²S, and High for Left-justified. All formats require binary two's-complement, MSB-first audio data; up to 32-bit audio data is accepted.

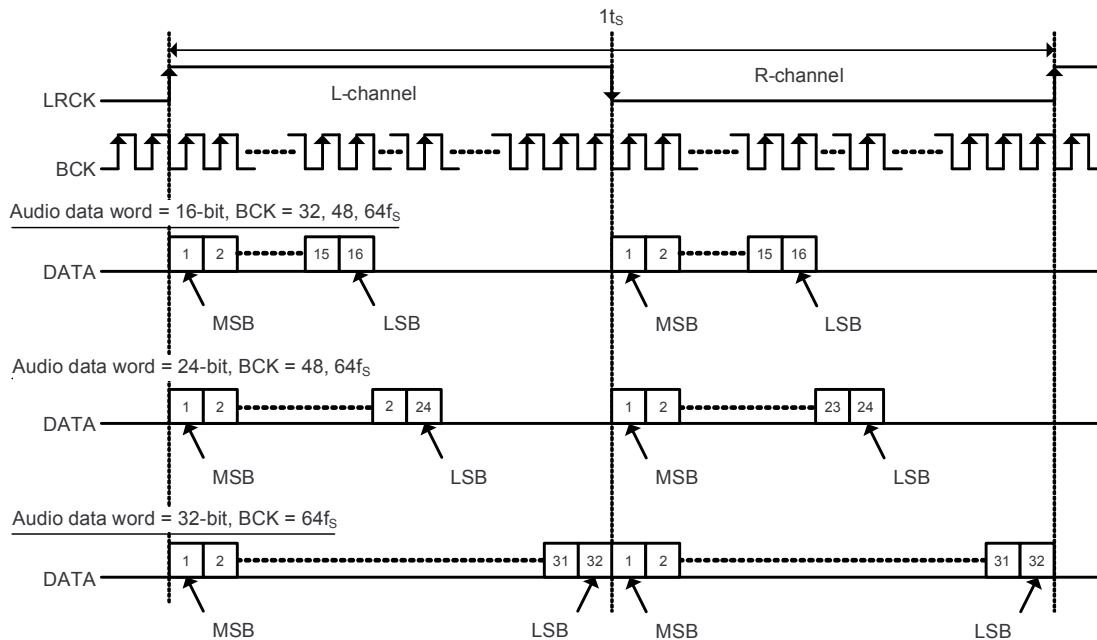


Figure 13. Left Justified Audio Data Format

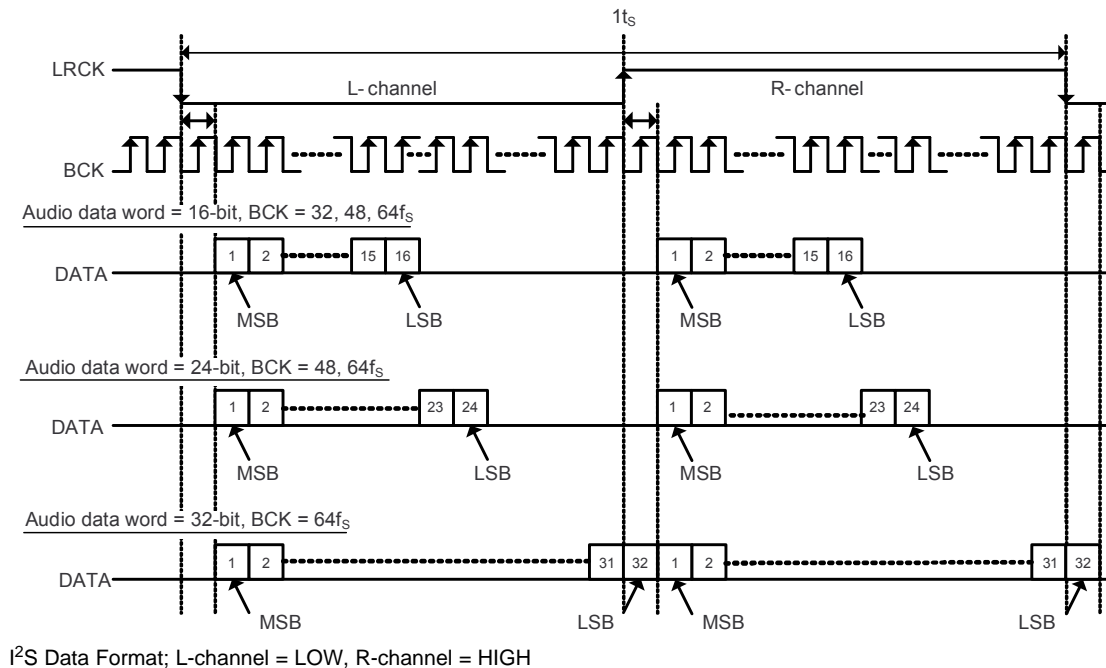


Figure 14. I²S Audio Data Format

9.3.2.3 Zero Data Detect

The PCM510xA has a zero-data detect function. When the device detects continuous zero data, it enters a full analog mute condition. The PCM510xA counts zero data over 1024 LRCKs (21ms @ 48kHz) before setting analog mute.

In Hardware mode, the device uses default values. By default, Both L-ch and R-ch have to be zero data for zero data detection to begin the muting process etc.

9.3.3 XSMT Pin (Soft Mute / Soft Un-Mute)

An external digital host controls the PCM510xA soft mute function by driving the XSMT pin with a specific minimum rise time (t_r) and fall time (t_f) for soft mute and soft un-mute. The PCM510xA requires t_r and t_f times of less than 20ns. In the majority of applications, this is no problem, however, traces with high capacitance may have issues.

When the XSMT pin is shifted from high to low (3.3 V to 0 V), a soft digital attenuation ramp begins. -1-dB attenuation is then applied every sample time from 0 dBFS to $-\infty$. The soft attenuation ramp takes 104 samples.

When the XSMT pin is shifted from low to high (0 V to 3.3 V), a soft digital “un-mute” is started. 1-dB gain steps are applied every sample time from $-\infty$ to 0 dBFS. The un-mute takes 104 samples.

In systems where XSMT is not required, it can be directly connected to AVDD.

9.3.4 Audio Processing

9.3.4.1 Interpolation Filter

The PCM510xA provides two types of interpolation filter. Users can select which filter to use by using the FLT pin (pin 11).

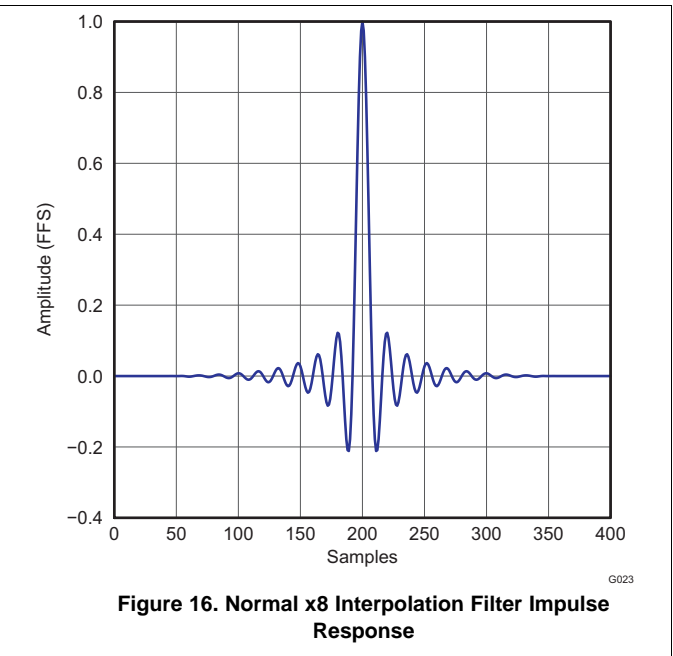
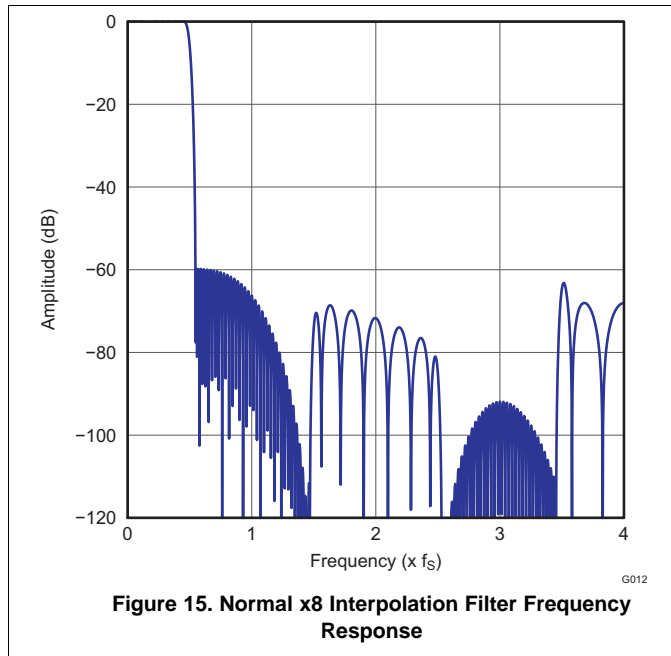
Table 3. Digital Interpolation Filter Options

| FLT Pin | Description |
|---------|---|
| 0 | FIR normal x8/x4/x2/x1 interpolation filters |
| 1 | IIR low-latency x8/x4/x2/x1 interpolation filters |

The normal x8 / x4 / x2 / x1(bypass) interpolation filter is programmed for sample rates from 8 kHz to 384 kHz.

Table 4. Normal x8 Interpolation Filter

| Parameter | Condition | Value (Typ) | Value (Max) | Units |
|-----------------------|--|------------------|-------------|-------|
| Filter gain pass band | 0 0.45f _S | | ±0.02 | dB |
| Filter gain stop band | 0.55f _S 7.455f _S | -60 | | dB |
| Filter group delay | | 22t _S | | s |



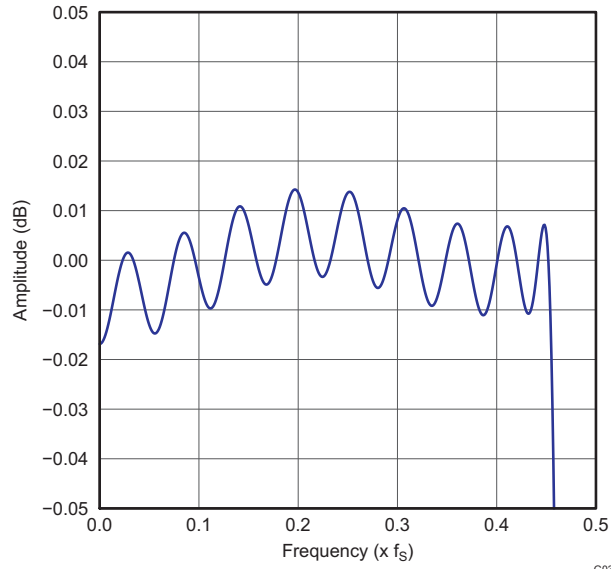


Figure 17. Normal x8 Interpolation Filter Passband Ripple

The normal x4 / x2 / x1 (bypass) interpolation filter is programmed for sample rates from 8 kHz to 384 kHz.

Table 5. Normal x4 Interpolation Filter

| Parameter | Condition | Value (Typ) | Value (Max) | Units |
|-----------------------|--|------------------|-------------|-------|
| Filter gain pass band | 0 0.45f _S | | ±0.02 | dB |
| Filter gain stop band | 0.55f _S 7.455f _S | -60 | | dB |
| Filter group delay | | 22t _S | | s |

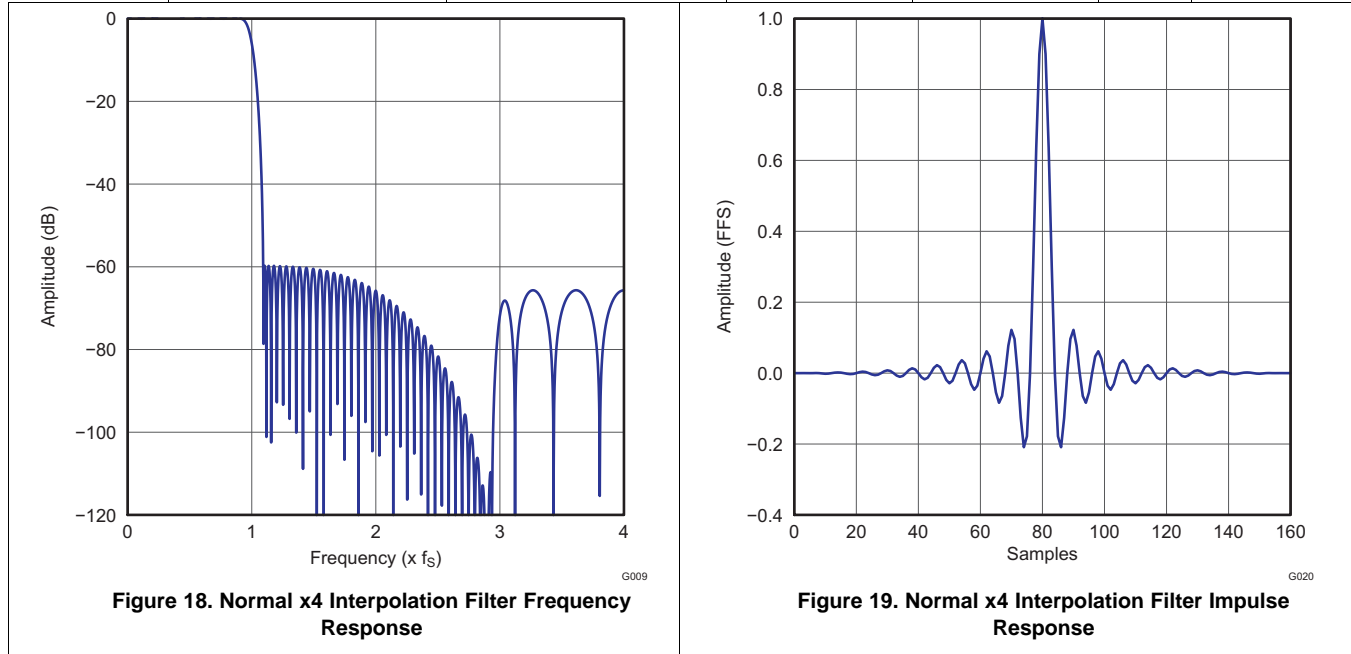


Figure 18. Normal x4 Interpolation Filter Frequency Response

Figure 19. Normal x4 Interpolation Filter Impulse Response

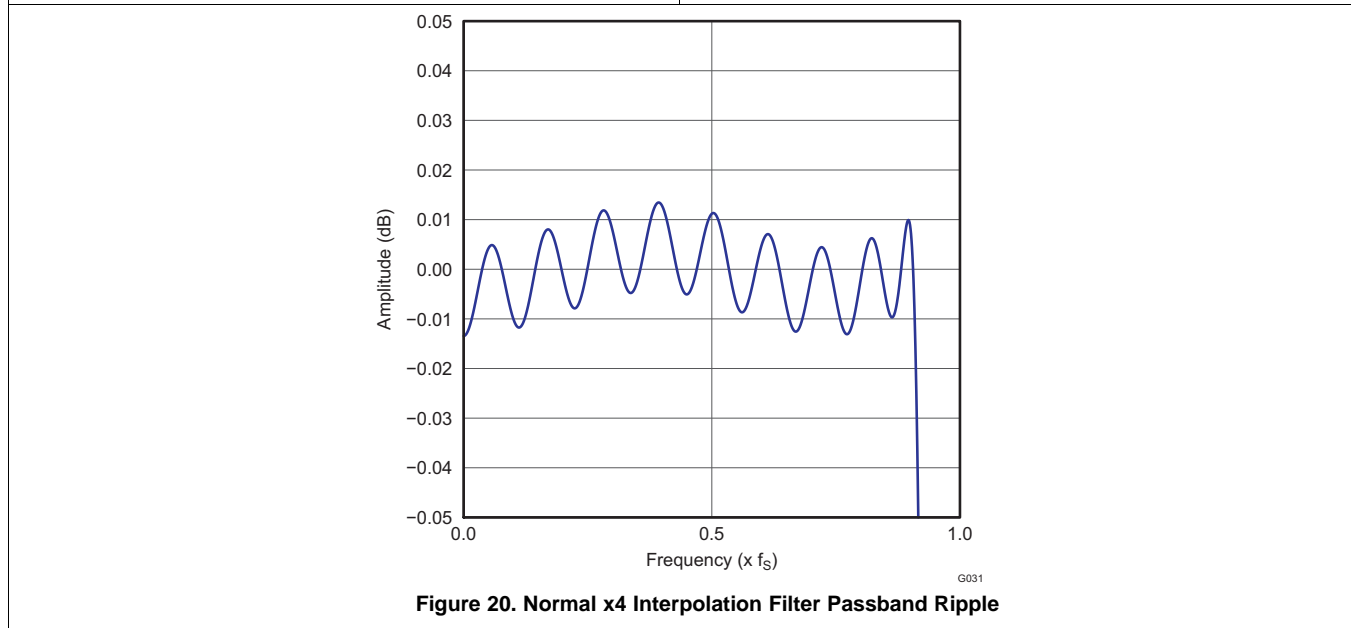


Figure 20. Normal x4 Interpolation Filter Passband Ripple

Table 6. Normal x2 Interpolation Filter

| Parameter | Condition | Value (Typ) | Value (Max) | Units |
|-----------------------|--|------------------|-------------|-------|
| Filter gain pass band | 0 0.45f _S | | ±0.02 | dB |
| Filter gain stop band | 0.55f _S 7.455f _S | -60 | | dB |
| Filter group delay | | 22t _S | | s |

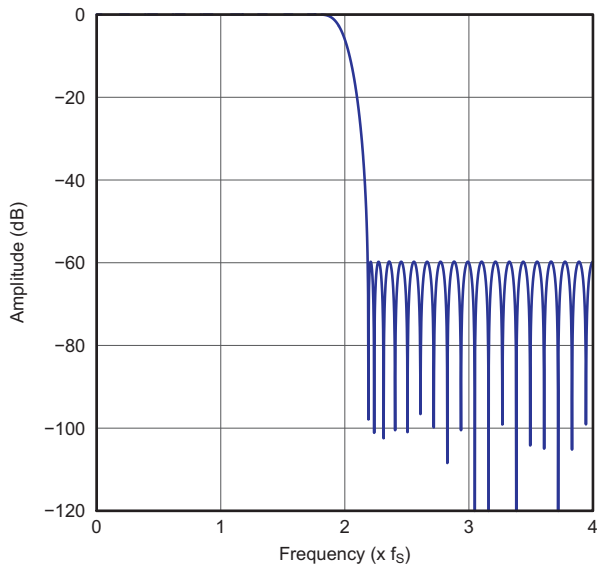


Figure 21. Normal x2 Interpolation Filter Frequency Response

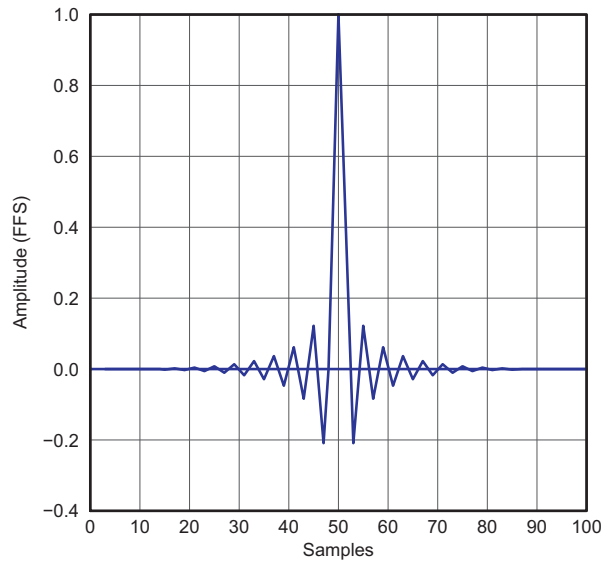


Figure 22. Normal x2 Interpolation Filter Impulse Response

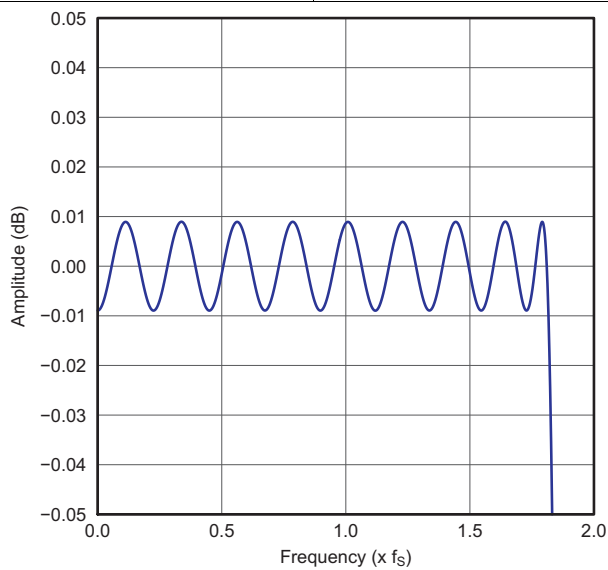


Figure 23. Normal x2 Interpolation Filter Passband Ripple

The low-latency x8 / x4 / x2 / x1 (bypass) interpolation filter is programmed for sample rates from 8 kHz to 384 kHz.

Table 7. Low Latency x8 Interpolation Filter

| Parameter | Condition | Value (Typ) | Units |
|-----------------------|--|-------------------|-------|
| Filter gain pass band | 0 0.45f _S | ±0.0001 | dB |
| Filter gain stop band | 0.55f _S 7.455f _S | -52 | dB |
| Filter group delay | | 3.5t _S | s |

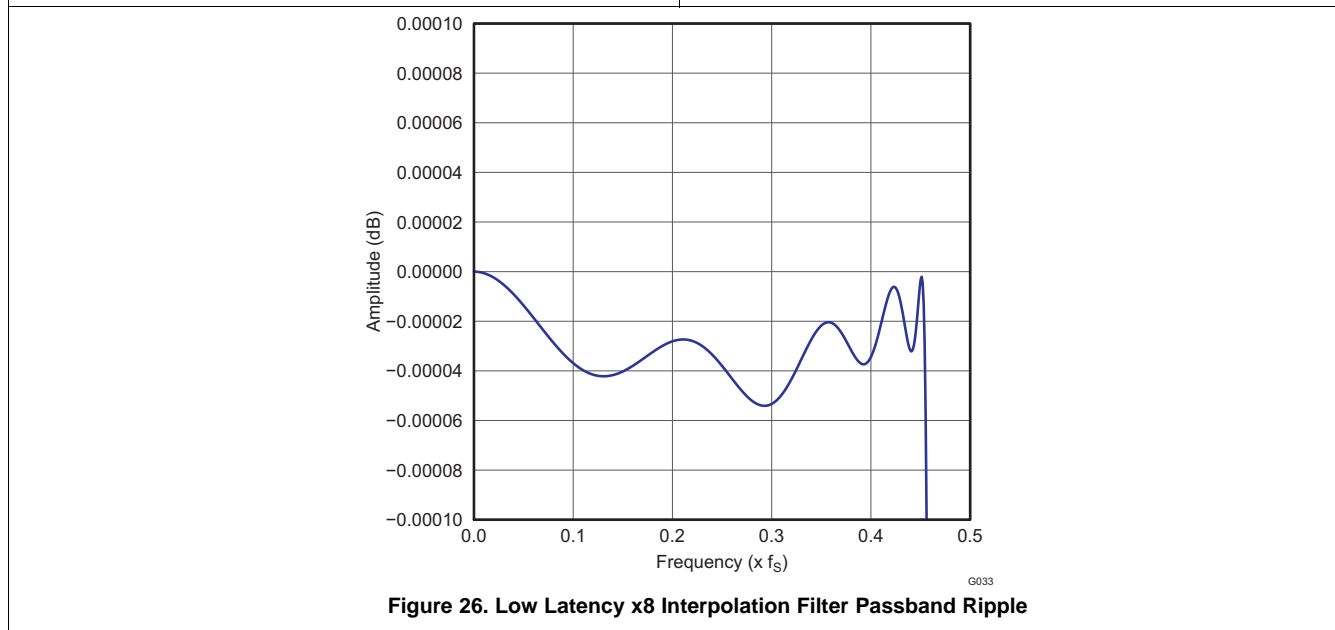
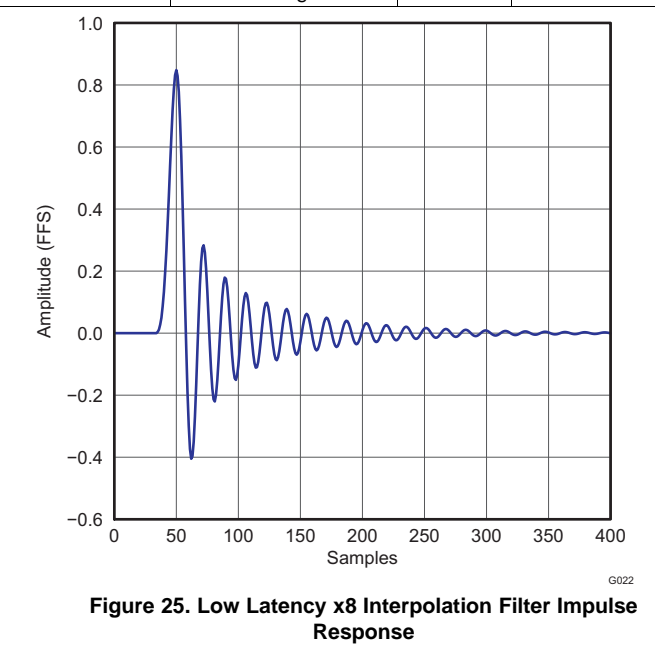
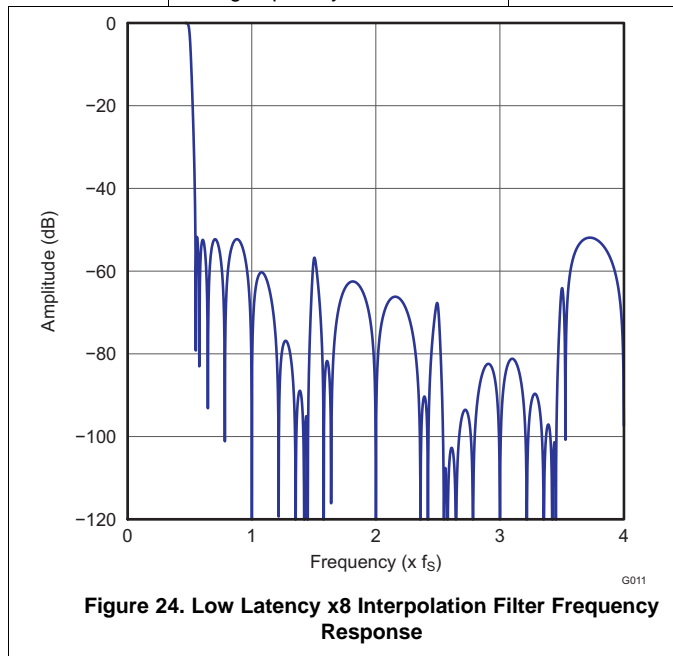


Table 8. Low Latency x4 Interpolation Filter

| Parameter | Condition | Value (Typ) | Units |
|-----------------------|--|-------------------|-------|
| Filter gain pass band | 0 0.45f _S | ±0.0001 | dB |
| Filter gain stop band | 0.55f _S 3.455f _S | -52 | dB |
| Filter group delay | | 3.5t _S | s |

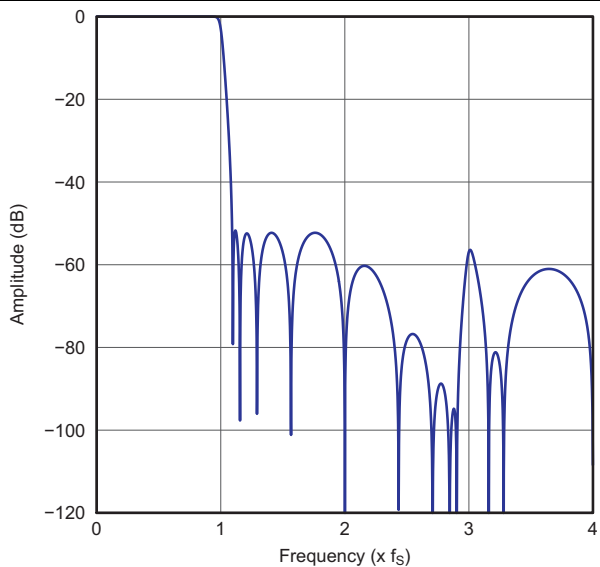


Figure 27. Low Latency x4 Interpolation Filter Frequency Response

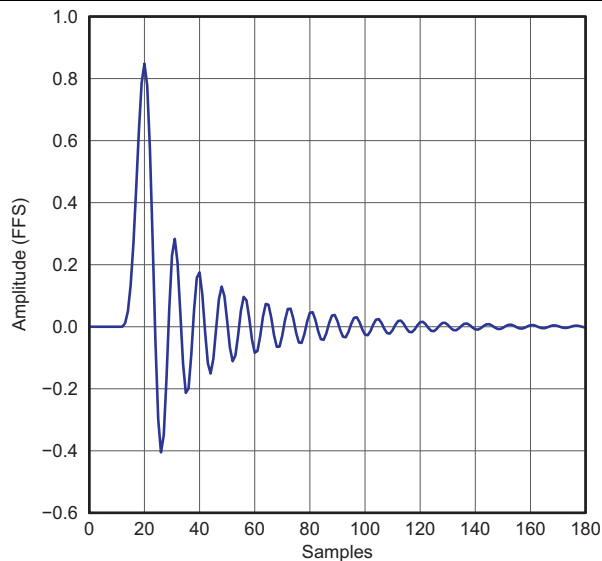


Figure 28. Low Latency x4 Interpolation Filter Impulse Response

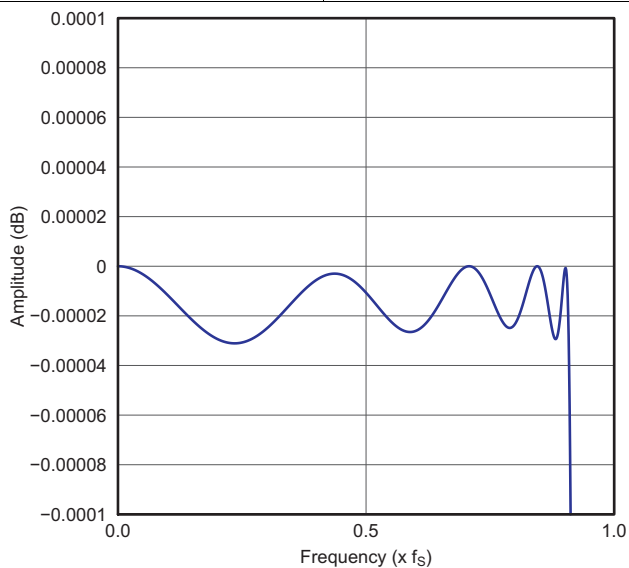
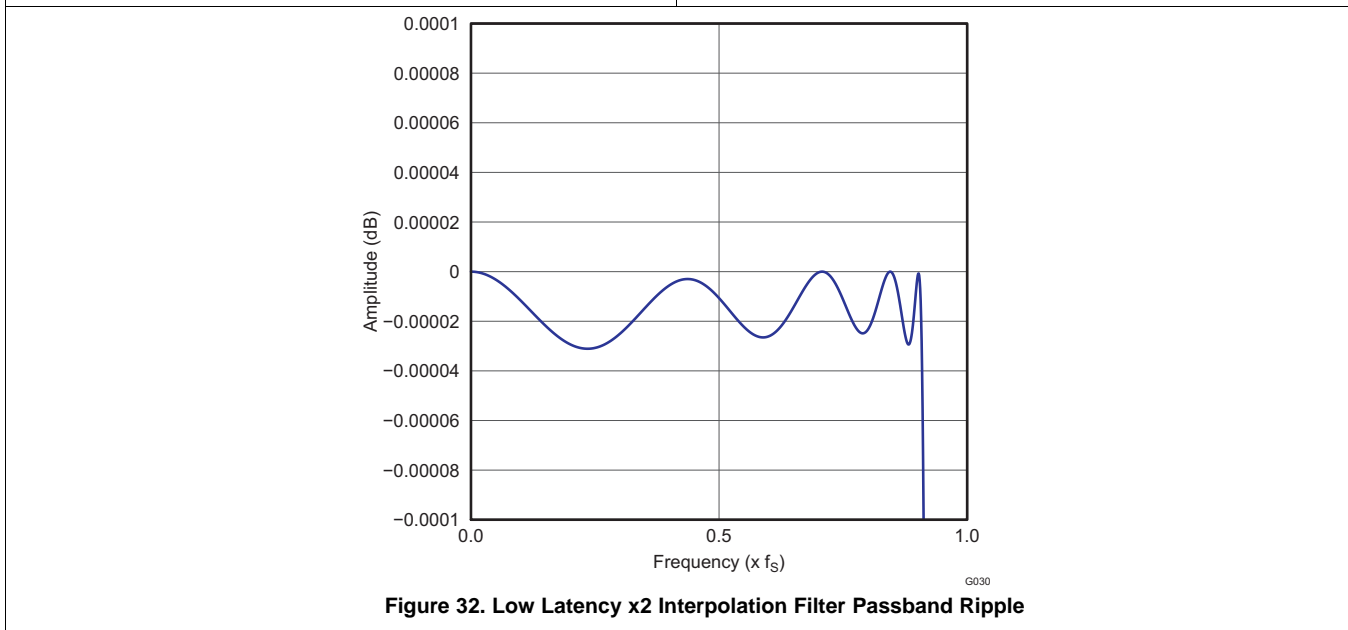
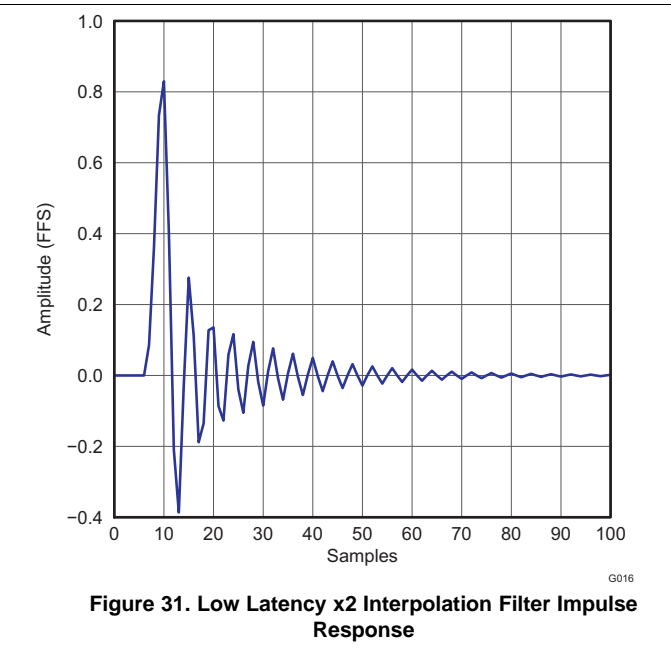
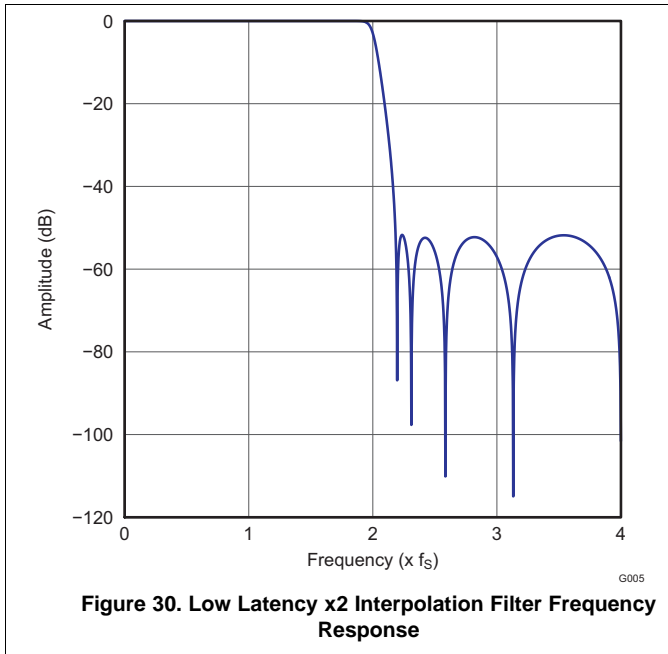


Figure 29. Low Latency x4 Interpolation Filter Passband Ripple

Table 9. Low Latency x2 Interpolation Filter

| Parameter | Condition | Value (Typ) | Units |
|-----------------------|--|-------------------|-------|
| Filter gain pass band | 0 0.45f _S | ±0.0001 | dB |
| Filter gain stop band | 0.55f _S 1.455f _S | -52 | dB |
| Filter group delay | | 3.5t _S | s |



9.3.5 Reset and System Clock Functions

9.3.5.1 Clocking Overview

The PCM510xA devices have flexible systems for clocking. Internally, the device requires a number of clocks, mostly at related clock rates to function correctly. All of these clocks can be derived from the serial audio interface in one form or another.

The data flows at the sample rate (f_s). Once the data is brought into the serial audio interface, it gets processed, interpolated and modulated all the way to $128 \times f_s$ before arriving at the current segments for the final digital to analog conversion.

The serial audio interface typically has 4 connections SCK (system master clock), BCK (bit clock), LRCK (left right word clock) and DIN (data). The device has an internal PLL that is used to take either SCK or BCK and create the higher rate clocks required by the interpolating processor and the DAC clock. This allows the device to operate with or without an external SCK.

9.3.5.2 Clock Slave Mode With Master/System Clock (SCK) Input (4 Wire I²S)

The PCM510xA requires a system clock to operate the digital interpolation filters and advanced segment DAC modulators. The system clock is applied at the SCK input and supports up to 50 MHz. The PCM510xA system-clock detection circuit automatically senses the system-clock frequency. Common audio sampling frequencies in the bands of 8 kHz, 16 kHz, (32 kHz - 44.1 kHz - 48 kHz), (88.2kHz - 96kHz), (176.4 kHz - 192 kHz), and 384 kHz with $\pm 4\%$ tolerance are supported. Values in the parentheses are grouped when detected, e.g. 88.2kHz and 96kHz are detected as "double rate," 32kHz, 44.1kHz and 48kHz will be detected as "single rate".

The sampling frequency detector sets the clock for the digital filter, Delta Sigma Modulator (DSM) and the Negative Charge Pump (NCP) automatically. Table 10 shows examples of system clock frequencies for common audio sampling rates.

SCK rates that are not common to standard audio clocks, between 1 MHz and 50 MHz, are only supported in software mode, available only in the PCM512x, PCM514x, and PCM5242 devices, by configuring various PLL and clock-divider registers. This programmability allows the device to become a clock master and drive the host serial port with LRCK and BCK, from a non-audio related clock (for example, using 12 MHz to generate 44.1 kHz [LRCK] and 2.8224 MHz [BCK]).

Table 10. System Master Clock Inputs for Audio Related Clocks

| Sampling Frequency | System Clock Frequency (f_{SCK}) (MHz) | | | | | | | | | | | |
|--------------------|--|------------------------|-----------------------|------------------|------------------|------------------|------------------|------------------|------------------|------------------|------------------|------------------|
| | 64 f_s | 128 f_s | 192 f_s | 256 f_s | 384 f_s | 512 f_s | 768 f_s | 1024 f_s | 1152 f_s | 1536 f_s | 2048 f_s | 3072 f_s |
| 8 kHz | – ⁽¹⁾ | 1.024 ⁽²⁾ | 1.536 ⁽²⁾ | 2.048 | 3.072 | 4.096 | 6.144 | 8.192 | 9.216 | 12.288 | 16.384 | 24.576 |
| 16 kHz | – ⁽¹⁾ | 2.048 ⁽²⁾ | 3.072 ⁽²⁾ | 4.096 | 6.144 | 8.192 | 12.288 | 16.384 | 18.432 | 24.576 | 36.864 | 49.152 |
| 32 kHz | – ⁽¹⁾ | 4.096 ⁽²⁾ | 6.144 ⁽²⁾ | 8.192 | 12.288 | 16.384 | 24.576 | 32.768 | 36.864 | 49.152 | – ⁽¹⁾ | – ⁽¹⁾ |
| 44.1 kHz | – ⁽¹⁾ | 5.6488 ⁽²⁾ | 8.4672 ⁽²⁾ | 11.2896 | 16.9344 | 22.5792 | 33.8688 | 45.1584 | – ⁽¹⁾ | – ⁽¹⁾ | – ⁽¹⁾ | – ⁽¹⁾ |
| 48 kHz | – ⁽¹⁾ | 6.144 ⁽²⁾ | 9.216 ⁽²⁾ | 12.288 | 18.432 | 24.576 | 36.864 | 49.152 | – ⁽¹⁾ | – ⁽¹⁾ | – ⁽¹⁾ | – ⁽¹⁾ |
| 88.2 kHz | – ⁽¹⁾ | 11.2896 ⁽²⁾ | 16.9344 | 22.5792 | 33.8688 | 45.1584 | – ⁽¹⁾ | – ⁽¹⁾ | – ⁽¹⁾ | – ⁽¹⁾ | – ⁽¹⁾ | – ⁽¹⁾ |
| 96 kHz | – ⁽¹⁾ | 12.288 ⁽²⁾ | 18.432 | 24.576 | 36.864 | 49.152 | – ⁽¹⁾ | – ⁽¹⁾ | – ⁽¹⁾ | – ⁽¹⁾ | – ⁽¹⁾ | – ⁽¹⁾ |
| 176.4 kHz | – ⁽¹⁾ | 22.579 | 33.8688 | 45.1584 | – ⁽¹⁾ | – ⁽¹⁾ | – ⁽¹⁾ | – ⁽¹⁾ | – ⁽¹⁾ | – ⁽¹⁾ | – ⁽¹⁾ | – ⁽¹⁾ |
| 192 kHz | – ⁽¹⁾ | 24.576 | 36.864 | 49.152 | – ⁽¹⁾ | – ⁽¹⁾ | – ⁽¹⁾ | – ⁽¹⁾ | – ⁽¹⁾ | – ⁽¹⁾ | – ⁽¹⁾ | – ⁽¹⁾ |
| 384 kHz | 24.576 | 49.152 | – ⁽¹⁾ | – ⁽¹⁾ | – ⁽¹⁾ | – ⁽¹⁾ | – ⁽¹⁾ | – ⁽¹⁾ | – ⁽¹⁾ | – ⁽¹⁾ | – ⁽¹⁾ | – ⁽¹⁾ |

(1) This system clock rate is not supported for the given sampling frequency.

(2) This system clock rate is supported by PLL mode.

9.3.5.3 Clock Slave Mode with BCK PLL to Generate Internal Clocks (3-Wire PCM)

The system clock PLL mode allows designers to use a simple 3-wire I²S audio source. The 3-wire source reduces the need for a high frequency SCK, making PCB layout easier, and reduces high frequency electromagnetic interference.

The internal PLL is disabled as soon as an external SCK is supplied.

The device starts up expecting an external SCK input, but if BCK and LRCK start correctly while SCK remains at ground level for 16 successive LRCK periods, then the internal PLL starts, automatically generating an internal SCK from the BCK reference. Specific BCK rates are required to generate an appropriate master clock. [Table 11](#) describes the minimum and maximum BCK per LRCK for the integrated PLL to automatically generate an internal SCK.

Table 11. BCK Rates (MHz) by LRCK Sample Rate for PCM510xA PLL Operation

| Sample f (kHz) | BCK (f _s) | |
|----------------|-----------------------|--------|
| | 32 | 64 |
| 8 | – | – |
| 16 | – | 1.024 |
| 32 | 1.024 | 2.048 |
| 44.1 | 1.4112 | 2.8224 |
| 48 | 1.536 | 3.072 |
| 96 | 3.072 | 6.144 |
| 192 | 6.144 | 12.288 |
| 384 | 12.288 | 24.576 |

9.4 Device Functional Modes

9.4.1 External SCK and PLL Activation

As discussed in [Clock Slave Mode with BCK PLL to Generate Internal Clocks \(3-Wire PCM\)](#), the internal PLL of a PCM510xA device supplies a SCK if an external SCK is not present at powerup.

9.4.1.1 Interpolation Filter Modes

Interpolation-filter options are controlled by the FLT pin. See [Table 3](#).

9.4.1.2 44.1kHz De-emphasis

De-emphasis control for 44.1-kHz f_s is controlled by the DEMP pin. See [Pin Configuration and Functions](#).

9.4.1.3 Audio Format

Audio format is selected by the FMT pin. See [Pin Configuration and Functions](#).

10 Applications and Implementation

注

Information in the following applications sections is not part of the TI component specification, and TI does not warrant its accuracy or completeness. TI's customers are responsible for determining suitability of components for their purposes. Customers should validate and test their design implementation to confirm system functionality.

10.1 Application Information

10.1.1 Typical Applications

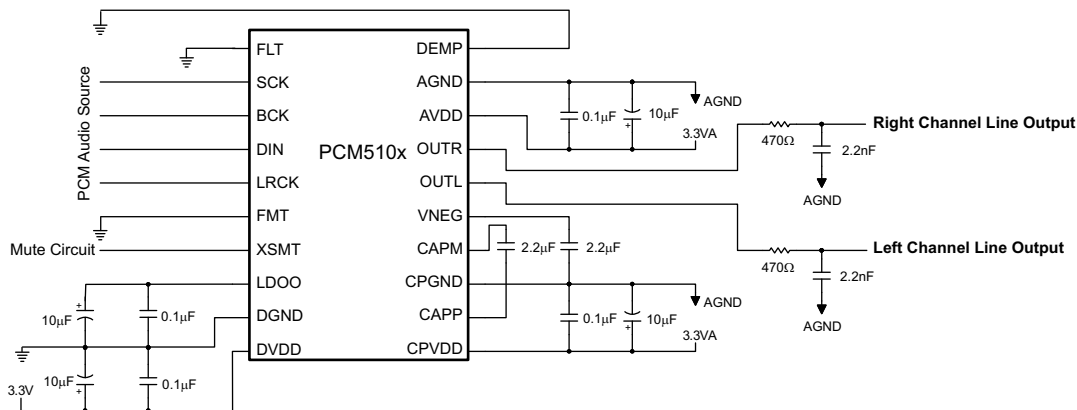


Figure 33. Simplified Schematic, Hardware-Controlled Subsystem

10.1.1.1 Example Design Requirements

- Device control method: hardware control
 - Normal filter latency
 - I²S digital audio interface
 - Power rail monitoring from the system 12-V rail to mute early on system power loss
- Single-ended 2.1-V_{RMS} analog outputs
- 3-wire I²S interface (BCK PLL)
- Single 3.3-V supply

10.1.1.2 Detailed Design Procedure

- Device control method: See [Pin Configuration and Functions](#) and [Audio Processing](#).
 - Normal filter latency: FLT pin tied low
 - Audio format selection: FMT pin tied low
- Clock and PLL setup (See [Reset and System Clock Functions](#)). Ensure incoming BCK meets minimum requirements.
- XSMT pin setup for 12-V monitoring (See [External Power Sense Undervoltage Protection Mode](#)).
- Single-supply 3.3-V operation (See [Setting Digital Power Supplies and I/O Voltage Rails](#))

Application Information (接下页)

10.1.1.3 Application Curve

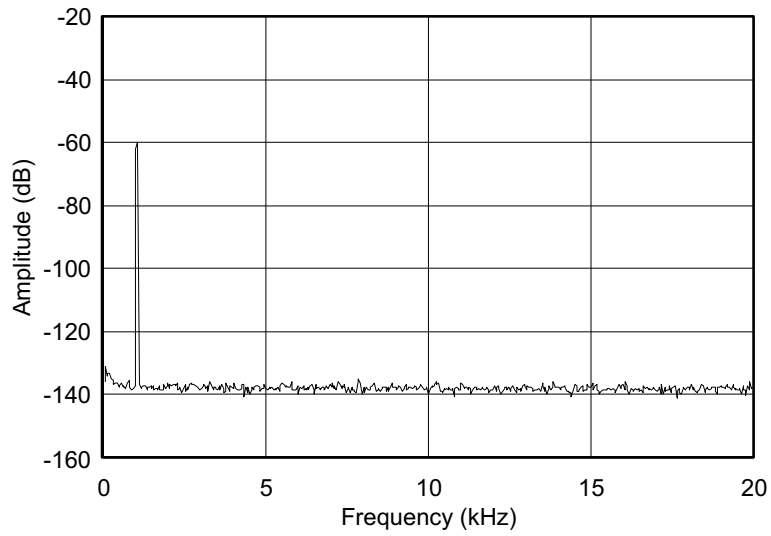


Figure 34. PCM5101A FFT Plot, DC to 20 kHz with a 1 kHz, -60dBFS Input

11 Power Supply Recommendations

11.1 Power Supply Distribution and Requirements

The PCM510xA devices are powered through the following pins:

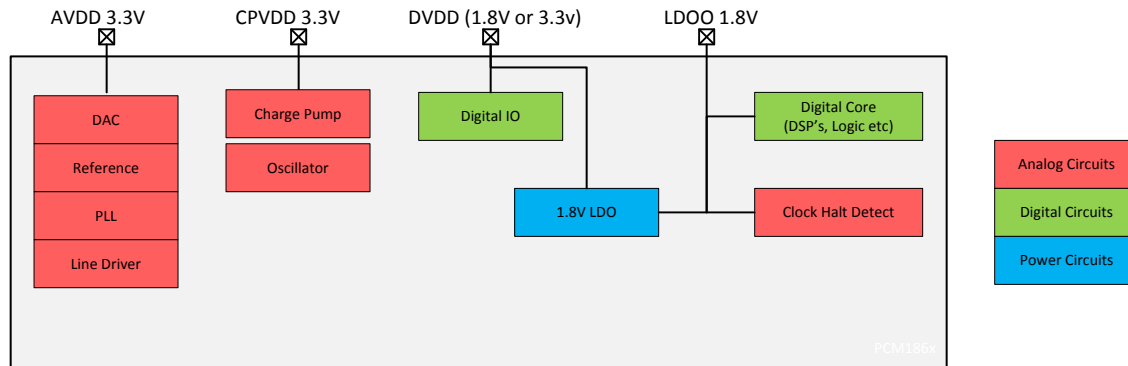


图 35. Power Distribution Tree within PCM510xA

表 12. Power Supply Pin Descriptions

| NAME | USAGE / DESCRIPTION |
|-------|--|
| AVDD | Analog voltage supply; must be 3.3 V. This powers all analog circuitry that the DAC runs on. |
| DVDD | Digital voltage supply. This is used as the I/O voltage control and the input to the onchip LDO. |
| CPVDD | Charge Pump Voltage Supply - must be 3.3 V |
| LDOO | Output from the onchip LDO. Should be used with a 0.1- μ F decoupling cap. Can be driven (used as power input) with a 1.8-V supply to bypass the onchip LDO for lower power consumption. |
| AGND | Analog ground |
| DGND | Digital ground |

11.2 Recommended Powerdown Sequence

Under certain conditions, the PCM510xA devices can exhibit some pop on power down. Pops are caused by a device not having enough time to detect power loss and start the muting process.

The PCM510xA devices have two auto-mute functions to mute the device upon power loss (intentional or unintentional).

XSMT = 0

When the XSMT pin is pulled low, the incoming PCM data is attenuated to 0, closely followed by a hard analog mute. This process takes 150 sample times (t_s) + 0.2 ms.

Because this mute time is mainly dominated by the sampling frequency, systems sampling at 192 kHz will mute much faster than a 48-kHz system.

Clock Error Detect

When clock error is detected on the incoming data clock, the PCM510xA devices switch to an internal oscillator, and continue to drive the output, while attenuating the data from the last known value. Once this process is complete, the PCM510xA outputs are hard muted to ground.

11.2.1 Planned Shutdown

These auto-muting processes can be manipulated by system designs to mute before power loss in the following ways:

1. Assert XSMT low 150 t_s + 0.2 ms before power is removed.

Recommended Powerdown Sequence (continued)

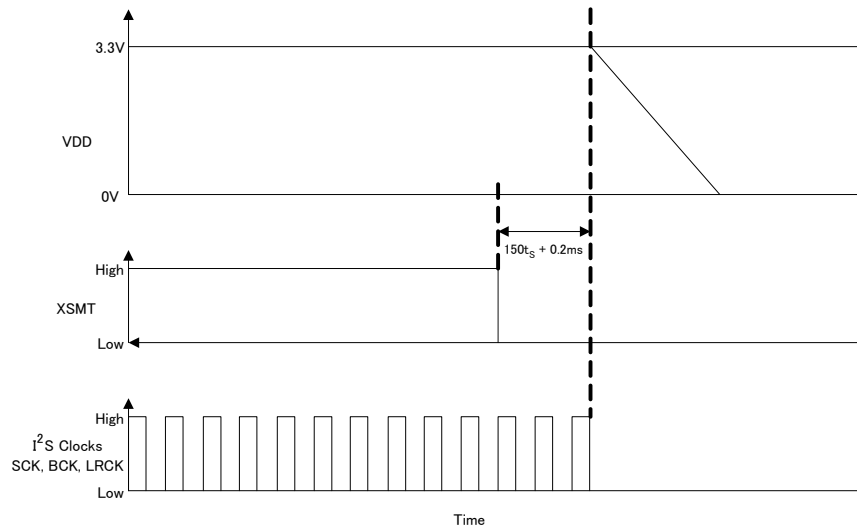


Figure 36. Assert XSMT

2. Stop I²S clocks (SCK, BCK, LRCK) 3 ms before powerdown as shown in [Figure 37](#).

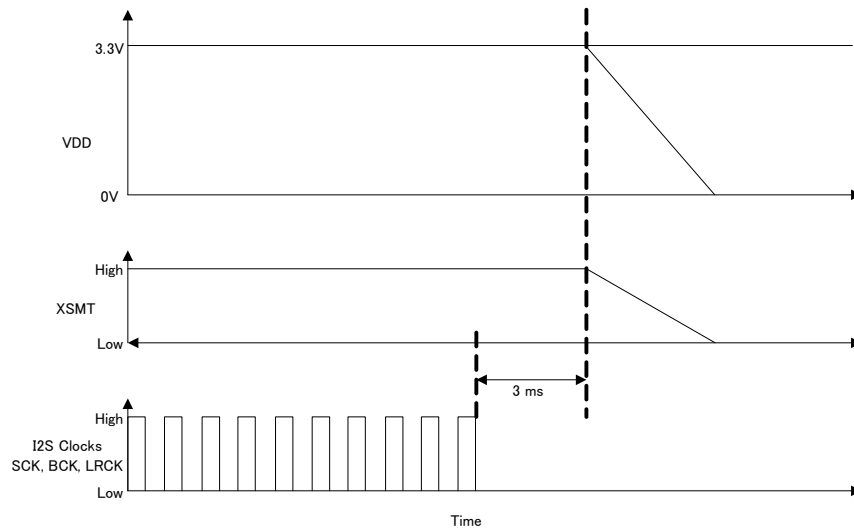


Figure 37. Stop I²C Clocks

11.2.2 Unplanned Shutdown

Many systems use a low-noise regulator to provide an AVDD 3.3-V supply for the DAC. The XSMT Pin can take advantage of such a feature to measure the pre-regulated output from the system SMPS to mute the output before the entire SMPS discharges. [Figure 38](#) shows how to configure such a system to use the XSMT pin. The XSMT pin can also be used in parallel with a GPIO pin from the system microcontroller/DSP or power supply.

Recommended Powerdown Sequence (continued)

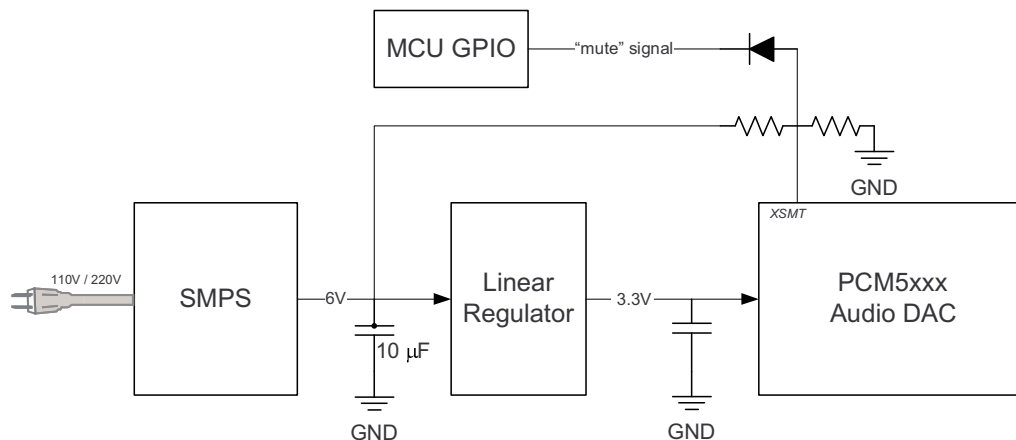


Figure 38. Using the XSMT Pin

11.3 External Power Sense Undervoltage Protection Mode

NOTE

External Power Sense Undervoltage Protection Mode is supported only when DVDD = 3.3 V.

The XSMT pin can also be used to monitor a system voltage, such as the 24-VDC LCD TV backlight, or 12-VDC system supply using a voltage divider created with two resistors. (See [Figure 39](#))

- If the XSMT pin makes a transition from “1” to “0” over 6 ms or more, the device switches into external undervoltage protection mode. This mode uses two trigger levels:
 - When the XSMT pin level reaches 2 V, soft mute process begins.
 - When the XSMT pin level reaches 1.2 V, analog mute engages, regardless of digital audio level, and analog shutdown begins. (DAC and related circuitry powers down).

If XSMT is moved from “1” to “0” in 20 ns or less, then the device will interpret it as a digital controlled request to mute. It will perform a soft mute, then move to standby.

A timing diagram to show this is shown in [Figure 40](#).

NOTE

The XSMT input pin voltage range is from -0.3 V to $DVDD+0.3$ V. The ratio of external resistors must produce a voltage within this input range. Any increase in power supply (such as power supply positive noise or ripple) can pull the XSMT pin higher than $DVDD+0.3$ V.

For example, if the PCM510xA is monitoring a 12-V input, and dividing the voltage by 4, then the voltage at XSMT during ideal power supply conditions is 3.3 V. A voltage spike higher than 14.4 V causes a voltage greater than 3.6 V ($DVDD+0.3$) on the XSMT pin, potentially damaging the device.

Providing the divider is set appropriately, any DC voltage can be monitored.

External Power Sense Undervoltage Protection Mode (continued)

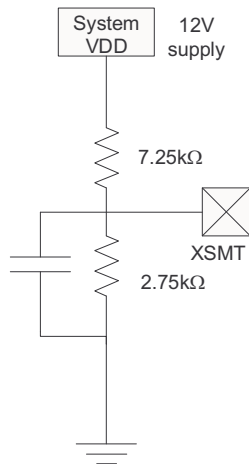


Figure 39. XSMT in External UVP Mode

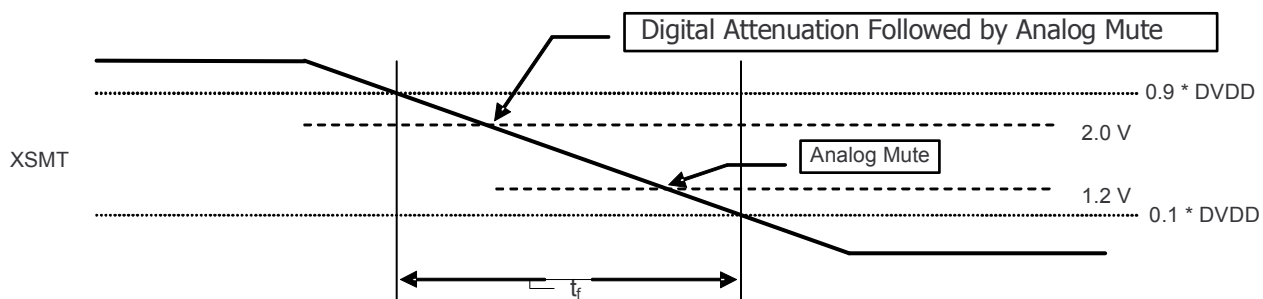


Figure 40. XSMT Timing for Undervoltage Protection

The trigger voltage values for the soft mute and hard mute are shown in Table 13. The range of values will vary from device to device, but typical thresholds are shown. XSMT should be set up to nominally be 3.3 V along with DVDD, but derived from a higher system power supply rail.

Table 13. Distribution of Voltage Thresholds

| | MIN | TYP | MAX |
|-----------------------------|----------|-------|----------|
| Soft Mute Threshold Voltage | 2.0 V | 2.2 V | 0.9×DVDD |
| Hard Mute Threshold Voltage | 0.1×DVDD | 0.9 V | 1.2 V |

11.4 Power-On Reset Function

Power-On Reset, DVDD 3.3-V Supply

The PCM510xA includes a power-on reset function shown in [Figure 41](#). With $V_{DD} > 2.8$ V, the power-on reset function is enabled. After the initialization period, the PCM510xA is set to its default reset state. Analog output will begin ramping after valid data has been passing through the device for the given group delay given by the digital interpolation filter selected.

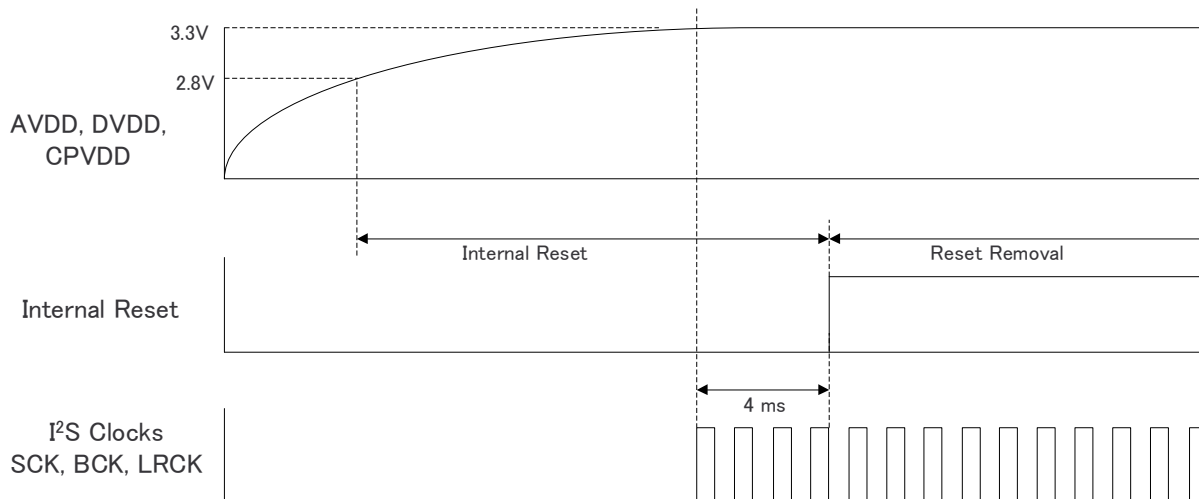


Figure 41. Power-On Reset Timing, DVDD = 3.3 V

Power-On Reset, DVDD 1.8-V Supply

The PCM510xA includes a power-on reset function shown in [Figure 42](#) operating at DVDD = 1.8 V. With AVDD greater than approximately 2.8 V, CPVDD greater than approximately 2.8 V, and DVDD greater than approximately 1.5 V, the power-on reset function is enabled. After the initialization period, the PCM510xA is set to its default reset state.

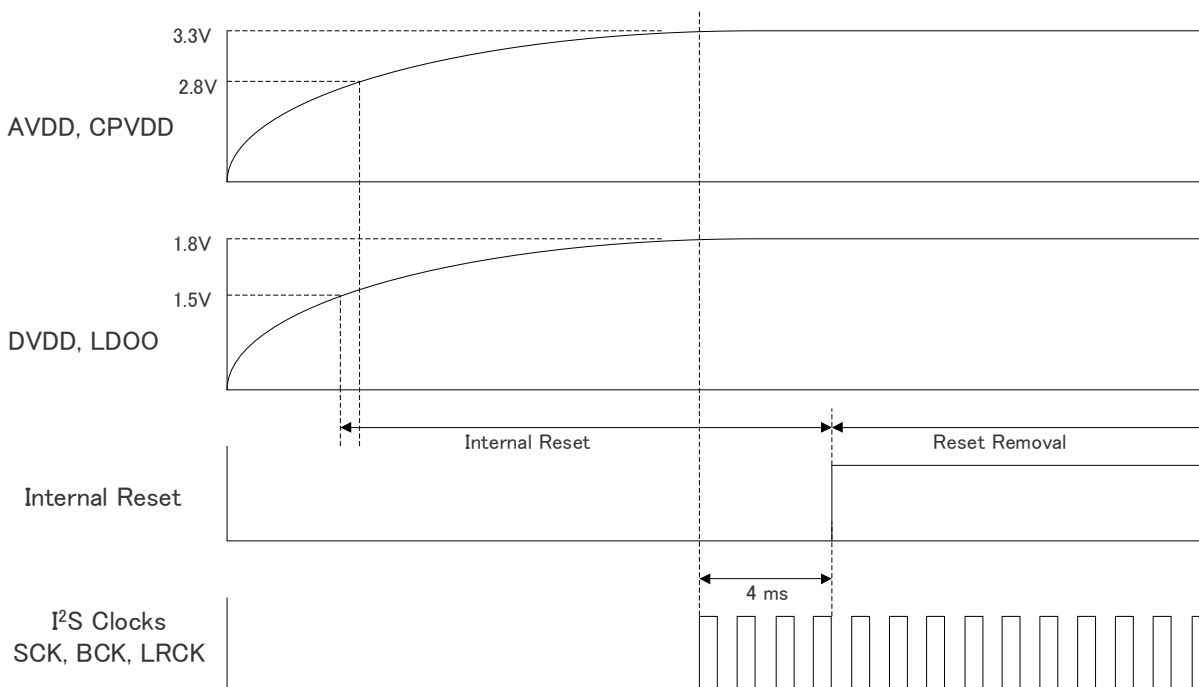


Figure 42. Power-On Reset Timing, DVDD = 1.8 V

11.5 PCM510xA Power Modes

11.5.1 Setting Digital Power Supplies and I/O Voltage Rails

The internal digital core of the PCM510xA devices run from a 1.8-V supply. This can be generated by the internal LDO, or by an external 1.8-V supply.

DVDD is used to set the I/O voltage, and to be used as the input to the onchip LDO that creates the 1.8 V required by the digital core.

For systems that require 3.3 V I/O support, but lower power consumption, DVDD should be connected to 3.3 V and LDOO can be connected to an external 1.8-V source. Doing so will disable the onchip LDO.

When setting I/O voltage to be 1.8 V, both DVDD and LDOO must be provided with an external 1.8-V supply.

11.5.2 Power Save Modes

The PCM510xA devices offer two power-save modes: standby and power-down.

When a clock error (SCK, BCK, and LRCK) or clock halt is detected, the PCM510xA device automatically enters standby mode. The DAC and line driver are also powered down.

When BCK and LRCK remain at a low level for more than 1 second, the PCM510xA device automatically enters powerdown mode. Power-down mode disables the negative charge pump and bias/reference circuit, in addition to those disabled in standby mode.

When expected audio clocks (SCK, BCK, LRCK) are applied to the PCM510xA device, or if BCK and LRCK start correctly while SCK remains at ground level for 16 successive LRCK periods, the device starts its powerup sequence automatically.

12 Layout

12.1 Layout Guidelines

- The PCM510xA family of devices are simple to layout. Most engineers use a shared common ground for an entire device. GND can be consider AGND and DGND connected.
- Good system partitioning should keep digital clock and interface traces away from the analog outputs for highest analog performance. This reduces any high speed clock return currents influencing the analog outputs.
- Power supply and charge pump decoupling capacitors should be placed as close as possible to the device.
- The top layer should be used for routing signals, whilst the bottom layer can be used for GND.

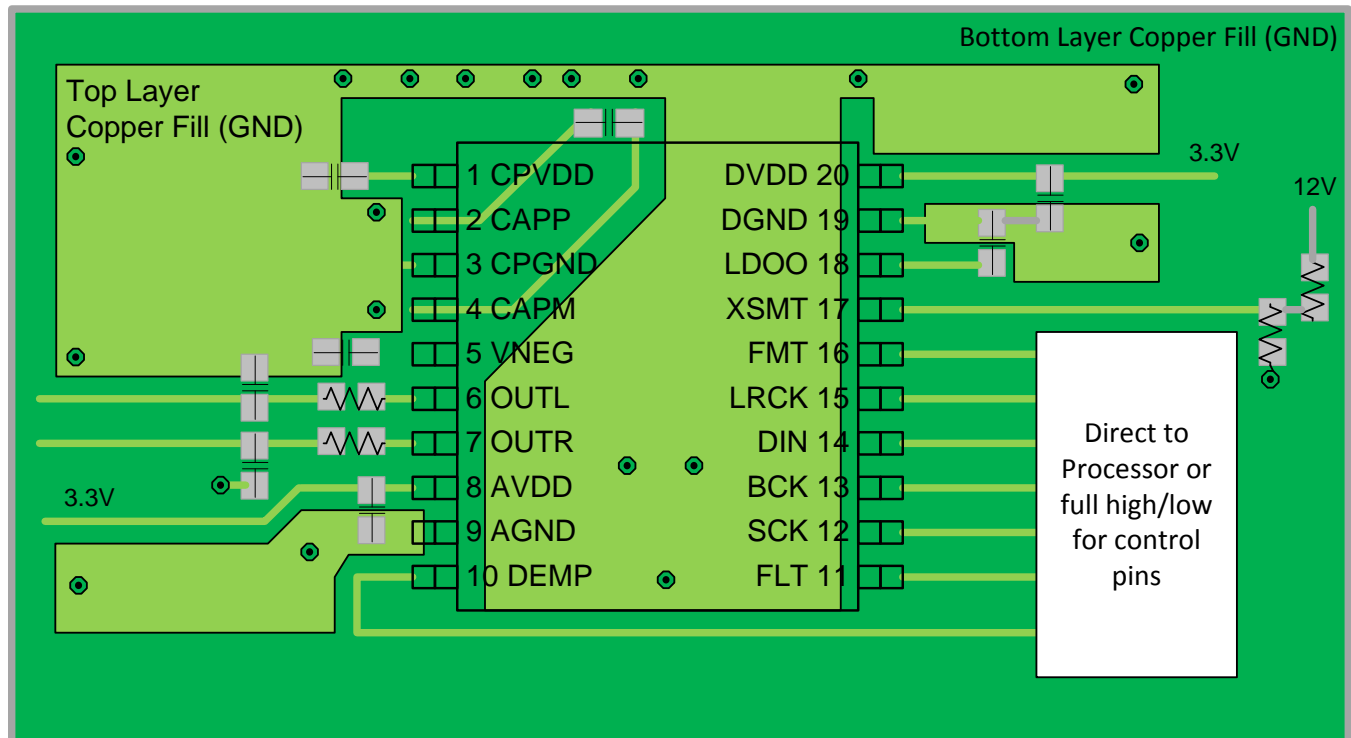


图 43. PCM510x Layout Example

13 器件和文档支持

13.1 相关链接

下面的表格列出了快速访问链接。范围包括技术文档、支持和社区资源、工具和软件，以及样片或购买的快速访问。

表 14. 相关链接

| 部件 | 产品文件夹 | 样片与购买 | 技术文档 | 工具与软件 | 支持与社区 |
|-------------|-----------------------|-----------------------|-----------------------|-----------------------|-----------------------|
| PCM5100A | 请单击此处 | 请单击此处 | 请单击此处 | 请单击此处 | 请单击此处 |
| PCM5101A | 请单击此处 | 请单击此处 | 请单击此处 | 请单击此处 | 请单击此处 |
| PCM5102A | 请单击此处 | 请单击此处 | 请单击此处 | 请单击此处 | 请单击此处 |
| PCM5100A-Q1 | 请单击此处 | 请单击此处 | 请单击此处 | 请单击此处 | 请单击此处 |
| PCM5101A-Q1 | 请单击此处 | 请单击此处 | 请单击此处 | 请单击此处 | 请单击此处 |
| PCM5102A-Q1 | 请单击此处 | 请单击此处 | 请单击此处 | 请单击此处 | 请单击此处 |

13.2 社区资源

[E2E™ 音频转换器论坛 TI](#)

[E2E 社区](#)

13.3 商标

DirectPath is a trademark of Texas Instruments, Inc.

System Two Cascade, Audio Precision are trademarks of Audio Precision.

13.4 静电放电警告



ESD 可能会损坏该集成电路。德州仪器 (TI) 建议通过适当的预防措施处理所有集成电路。如果不遵守正确的处理措施和安装程序，可能会损坏集成电路。

ESD 的损坏小至导致微小的性能降级，大至整个器件故障。精密的集成电路可能更容易受到损坏，这是因为非常细微的参数更改都可能会导致器件与其发布的规格不相符。

14 机械、封装和可订购信息

以下页中包括机械、封装和可订购信息。这些信息是针对指定器件可提供的最新数据。这些数据会在无通知且不对本文档进行修订的情况下发生改变。欲获得该数据表的浏览器版本，请查阅左侧的导航栏。

14.1 机械数据

重要声明

德州仪器(TI)及其下属子公司有权根据 JESD46 最新标准,对所提供的产品和服务进行更正、修改、增强、改进或其它更改,并有权根据 JESD48 最新标准中止提供任何产品和服务。客户在下订单前应获取最新的相关信息,并验证这些信息是否完整且是最新的。所有产品的销售都遵循在订单确认时所提供的TI 销售条款与条件。

TI 保证其所销售的组件的性能符合产品销售时 TI 半导体产品销售条件与条款的适用规范。仅在 TI 保证的范围内,且 TI 认为有必要时才会使用测试或其它质量控制技术。除非适用法律做出了硬性规定,否则没有必要对每种组件的所有参数进行测试。

TI 对应用帮助或客户产品设计不承担任何义务。客户应对其使用 TI 组件的产品和应用自行负责。为尽量减小与客户产品和应用相关的风险,客户应提供充分的设计与操作安全措施。

TI 不对任何 TI 专利权、版权、屏蔽作品权或其它与使用了 TI 组件或服务的组合设备、机器或流程相关的 TI 知识产权中授予的直接或隐含权限作出任何保证或解释。TI 所发布的与第三方产品或服务有关的信息,不能构成从 TI 获得使用这些产品或服务的许可、授权、或认可。使用此类信息可能需要获得第三方的专利权或其它知识产权方面的许可,或是 TI 的专利权或其它知识产权方面的许可。

对于 TI 的产品手册或数据表中 TI 信息的重要部分,仅在没有对内容进行任何篡改且带有相关授权、条件、限制和声明的情况下才允许进行复制。TI 对此类篡改过的文件不承担任何责任或义务。复制第三方的信息可能需要服从额外的限制条件。

在转售 TI 组件或服务时,如果对该组件或服务参数的陈述与 TI 标明的参数相比存在差异或虚假成分,则会失去相关 TI 组件或服务的所有明示或暗示授权,且这是不正当的、欺诈性商业行为。TI 对任何此类虚假陈述均不承担任何责任或义务。

客户认可并同意,尽管任何应用相关信息或支持仍可能由 TI 提供,但他们将独立负责满足与其产品及其在应用中使用的 TI 产品相关的所有法律、法规和安全相关要求。客户声明并同意,他们具备制定与实施安全措施所需的全部专业技术和知识,可预见故障的危险后果、监测故障及其后果、降低有可能造成人身伤害的故障的发生机率并采取适当的补救措施。客户将全额赔偿因在此类安全关键应用中使用任何 TI 组件而对 TI 及其代理造成的任何损失。

在某些场合中,为了推进安全相关应用有可能对 TI 组件进行特别的促销。TI 的目标是利用此类组件帮助客户设计和创立其特有的可满足适用的功能安全性标准和要求的终端产品解决方案。尽管如此,此类组件仍然服从这些条款。

TI 组件未获得用于 FDA Class III (或类似的生命攸关医疗设备)的授权许可,除非各方授权官员已经达成了专门管控此类使用的特别协议。

只有那些 TI 特别注明属于军用等级或“增强型塑料”的 TI 组件才是设计或专门用于军事/航空应用或环境的。购买者认可并同意,对并非指定面向军事或航空航天用途的 TI 组件进行军事或航空航天方面的应用,其风险由客户单独承担,并且由客户独立负责满足与此类使用相关的所有法律和法规要求。

TI 已明确指定符合 ISO/TS16949 要求的产品,这些产品主要用于汽车。在任何情况下,因使用非指定产品而无法达到 ISO/TS16949 要求, TI 不承担任何责任。

| | 产品 | | 应用 |
|---------------|--|--------------|--|
| 数字音频 | www.ti.com.cn/audio | 通信与电信 | www.ti.com.cn/telecom |
| 放大器和线性器件 | www.ti.com.cn/amplifiers | 计算机及周边 | www.ti.com.cn/computer |
| 数据转换器 | www.ti.com.cn/dataconverters | 消费电子 | www.ti.com.cn/consumer-apps |
| DLP® 产品 | www.dlp.com | 能源 | www.ti.com.cn/energy |
| DSP - 数字信号处理器 | www.ti.com.cn/dsp | 工业应用 | www.ti.com.cn/industrial |
| 时钟和计时器 | www.ti.com.cn/clockandtimers | 医疗电子 | www.ti.com.cn/medical |
| 接口 | www.ti.com.cn/interface | 安防应用 | www.ti.com.cn/security |
| 逻辑 | www.ti.com.cn/logic | 汽车电子 | www.ti.com.cn/automotive |
| 电源管理 | www.ti.com.cn/power | 视频和影像 | www.ti.com.cn/video |
| 微控制器 (MCU) | www.ti.com.cn/microcontrollers | | |
| RFID 系统 | www.ti.com.cn/rfidsys | | |
| OMAP应用处理器 | www.ti.com/omap | | |
| 无线连通性 | www.ti.com.cn/wirelessconnectivity | 德州仪器在线技术支持社区 | www.deyisupport.com |

邮寄地址: 上海市浦东新区世纪大道1568号, 中建大厦32楼邮政编码: 200122
Copyright © 2016, 德州仪器半导体技术(上海)有限公司

PACKAGING INFORMATION

| Orderable Device | Status (1) | Package Type | Package Drawing | Pins | Package Qty | Eco Plan (2) | Lead/Ball Finish (6) | MSL Peak Temp (3) | Op Temp (°C) | Device Marking (4/5) | Samples |
|------------------|---------------|--------------|--------------------|------|----------------|----------------------------|-------------------------|----------------------|--------------|-------------------------|-------------------------|
| PCM5100APW | ACTIVE | TSSOP | PW | 20 | 70 | Green (RoHS & no Sb/Br) | CU NIPDAU | Level-1-260C-UNLIM | -25 to 85 | PCM5100A | Samples |
| PCM5100APWR | ACTIVE | TSSOP | PW | 20 | 2000 | Green (RoHS & no Sb/Br) | CU NIPDAU | Level-1-260C-UNLIM | -25 to 85 | PCM5100A | Samples |
| PCM5100AQPWRQ1 | ACTIVE | TSSOP | PW | 20 | 2000 | Green (RoHS & no Sb/Br) | CU NIPDAU | Level-1-260C-UNLIM | -40 to 125 | P5100AQ1 | Samples |
| PCM5101APW | ACTIVE | TSSOP | PW | 20 | 70 | Green (RoHS & no Sb/Br) | CU NIPDAU | Level-1-260C-UNLIM | -25 to 85 | PCM5101A | Samples |
| PCM5101APWR | ACTIVE | TSSOP | PW | 20 | 2000 | Green (RoHS & no Sb/Br) | CU NIPDAU | Level-1-260C-UNLIM | -25 to 85 | PCM5101A | Samples |
| PCM5101AQPWRQ1 | ACTIVE | TSSOP | PW | 20 | 2000 | Green (RoHS & no Sb/Br) | CU NIPDAU | Level-1-260C-UNLIM | -40 to 125 | P5101AQ1 | Samples |
| PCM5102APW | ACTIVE | TSSOP | PW | 20 | 70 | Green (RoHS & no Sb/Br) | CU NIPDAU | Level-1-260C-UNLIM | -25 to 85 | PCM5102A | Samples |
| PCM5102APWR | ACTIVE | TSSOP | PW | 20 | 2000 | Green (RoHS & no Sb/Br) | CU NIPDAU | Level-1-260C-UNLIM | -25 to 85 | PCM5102A | Samples |
| PCM5102AQPWRQ1 | ACTIVE | TSSOP | PW | 20 | 2000 | Green (RoHS & no Sb/Br) | CU NIPDAU | Level-1-260C-UNLIM | -40 to 125 | P5102AQ1 | Samples |

(1) The marketing status values are defined as follows:

ACTIVE: Product device recommended for new designs.

LIFEBUY: TI has announced that the device will be discontinued, and a lifetime-buy period is in effect.

NRND: Not recommended for new designs. Device is in production to support existing customers, but TI does not recommend using this part in a new design.

PREVIEW: Device has been announced but is not in production. Samples may or may not be available.

OBSELETE: TI has discontinued the production of the device.

(2) Eco Plan - The planned eco-friendly classification: Pb-Free (RoHS), Pb-Free (RoHS Exempt), or Green (RoHS & no Sb/Br) - please check <http://www.ti.com/productcontent> for the latest availability information and additional product content details.

TBD: The Pb-Free/Green conversion plan has not been defined.

Pb-Free (RoHS): TI's terms "Lead-Free" or "Pb-Free" mean semiconductor products that are compatible with the current RoHS requirements for all 6 substances, including the requirement that lead not exceed 0.1% by weight in homogeneous materials. Where designed to be soldered at high temperatures, TI Pb-Free products are suitable for use in specified lead-free processes.

Pb-Free (RoHS Exempt): This component has a RoHS exemption for either 1) lead-based flip-chip solder bumps used between the die and package, or 2) lead-based die adhesive used between the die and leadframe. The component is otherwise considered Pb-Free (RoHS compatible) as defined above.

Green (RoHS & no Sb/Br): TI defines "Green" to mean Pb-Free (RoHS compatible), and free of Bromine (Br) and Antimony (Sb) based flame retardants (Br or Sb do not exceed 0.1% by weight in homogeneous material)

- (3) MSL, Peak Temp. - The Moisture Sensitivity Level rating according to the JEDEC industry standard classifications, and peak solder temperature.
- (4) There may be additional marking, which relates to the logo, the lot trace code information, or the environmental category on the device.
- (5) Multiple Device Markings will be inside parentheses. Only one Device Marking contained in parentheses and separated by a "~" will appear on a device. If a line is indented then it is a continuation of the previous line and the two combined represent the entire Device Marking for that device.
- (6) Lead/Ball Finish - Orderable Devices may have multiple material finish options. Finish options are separated by a vertical ruled line. Lead/Ball Finish values may wrap to two lines if the finish value exceeds the maximum column width.

Important Information and Disclaimer:The information provided on this page represents TI's knowledge and belief as of the date that it is provided. TI bases its knowledge and belief on information provided by third parties, and makes no representation or warranty as to the accuracy of such information. Efforts are underway to better integrate information from third parties. TI has taken and continues to take reasonable steps to provide representative and accurate information but may not have conducted destructive testing or chemical analysis on incoming materials and chemicals. TI and TI suppliers consider certain information to be proprietary, and thus CAS numbers and other limited information may not be available for release.

In no event shall TI's liability arising out of such information exceed the total purchase price of the TI part(s) at issue in this document sold by TI to Customer on an annual basis.

OTHER QUALIFIED VERSIONS OF PCM5100A, PCM5100A-Q1, PCM5101A, PCM5101A-Q1, PCM5102A, PCM5102A-Q1 :

- Catalog: [PCM5100A](#), [PCM5101A](#), [PCM5102A](#)
- Automotive: [PCM5100A-Q1](#), [PCM5101A-Q1](#), [PCM5102A-Q1](#)

NOTE: Qualified Version Definitions:

- Catalog - TI's standard catalog product
- Automotive - Q100 devices qualified for high-reliability automotive applications targeting zero defects

TAPE AND REEL INFORMATION



QUADRANT ASSIGNMENTS FOR PIN 1 ORIENTATION IN TAPE



*All dimensions are nominal

| Device | Package Type | Package Drawing | Pins | SPQ | Reel Diameter (mm) | Reel Width W1 (mm) | A0 (mm) | B0 (mm) | K0 (mm) | P1 (mm) | W (mm) | Pin1 Quadrant |
|----------------|--------------|-----------------|------|------|--------------------|--------------------|---------|---------|---------|---------|--------|---------------|
| PCM5100APWR | TSSOP | PW | 20 | 2000 | 330.0 | 16.4 | 6.95 | 7.1 | 1.6 | 8.0 | 16.0 | Q1 |
| PCM5100AQPWRQ1 | TSSOP | PW | 20 | 2000 | 330.0 | 16.4 | 6.95 | 7.1 | 1.6 | 8.0 | 16.0 | Q1 |
| PCM5101APWR | TSSOP | PW | 20 | 2000 | 330.0 | 16.4 | 6.95 | 7.1 | 1.6 | 8.0 | 16.0 | Q1 |
| PCM5101AQPWRQ1 | TSSOP | PW | 20 | 2000 | 330.0 | 16.4 | 6.95 | 7.1 | 1.6 | 8.0 | 16.0 | Q1 |
| PCM5102APWR | TSSOP | PW | 20 | 2000 | 330.0 | 16.4 | 6.95 | 7.1 | 1.6 | 8.0 | 16.0 | Q1 |
| PCM5102AQPWRQ1 | TSSOP | PW | 20 | 2000 | 330.0 | 16.4 | 6.95 | 7.1 | 1.6 | 8.0 | 16.0 | Q1 |

TAPE AND REEL BOX DIMENSIONS


*All dimensions are nominal

| Device | Package Type | Package Drawing | Pins | SPQ | Length (mm) | Width (mm) | Height (mm) |
|----------------|--------------|-----------------|------|------|-------------|------------|-------------|
| PCM5100APWR | TSSOP | PW | 20 | 2000 | 367.0 | 367.0 | 38.0 |
| PCM5100AQPWRQ1 | TSSOP | PW | 20 | 2000 | 367.0 | 367.0 | 38.0 |
| PCM5101APWR | TSSOP | PW | 20 | 2000 | 367.0 | 367.0 | 38.0 |
| PCM5101AQPWRQ1 | TSSOP | PW | 20 | 2000 | 367.0 | 367.0 | 38.0 |
| PCM5102APWR | TSSOP | PW | 20 | 2000 | 367.0 | 367.0 | 38.0 |
| PCM5102AQPWRQ1 | TSSOP | PW | 20 | 2000 | 367.0 | 367.0 | 38.0 |

PW (R-PDSO-G20)

PLASTIC SMALL OUTLINE



4040064-5/G 02/11

- NOTES:
- A. All linear dimensions are in millimeters. Dimensioning and tolerancing per ASME Y14.5M-1994.
 - B. This drawing is subject to change without notice.
 - C. Body length does not include mold flash, protrusions, or gate burrs. Mold flash, protrusions, or gate burrs shall not exceed 0,15 each side.
 - D. Body width does not include interlead flash. Interlead flash shall not exceed 0,25 each side.
 - E. Falls within JEDEC MO-153

PW (R-PDSO-G20)

PLASTIC SMALL OUTLINE



- NOTES:
- A. All linear dimensions are in millimeters.
 - B. This drawing is subject to change without notice.
 - C. Publication IPC-7351 is recommended for alternate design.
 - D. Laser cutting apertures with trapezoidal walls and also rounding corners will offer better paste release. Customers should contact their board assembly site for stencil design recommendations. Refer to IPC-7525 for other stencil recommendations.
 - E. Customers should contact their board fabrication site for solder mask tolerances between and around signal pads.

重要声明

德州仪器(TI) 及其下属子公司有权根据 JESD46 最新标准, 对所提供的产品和服务进行更正、修改、增强、改进或其它更改, 并有权根据 JESD48 最新标准中止提供任何产品和服务。客户在下订单前应获取最新的相关信息, 并验证这些信息是否完整且是最新的。所有产品的销售都遵循在订单确认时所提供的TI 销售条款与条件。

TI 保证其所销售的组件的性能符合产品销售时 TI 半导体产品销售条件与条款的适用规范。仅在 TI 保证的范围内, 且 TI 认为有必要时才会使用测试或其它质量控制技术。除非适用法律做出了硬性规定, 否则没有必要对每种组件的所有参数进行测试。

TI 对应用帮助或客户产品设计不承担任何义务。客户应对其使用 TI 组件的产品和应用自行负责。为尽量减小与客户产品和应用相关的风险, 客户应提供充分的设计与操作安全措施。

TI 不对任何 TI 专利权、版权、屏蔽作品权或其它与使用了 TI 组件或服务的组合设备、机器或流程相关的 TI 知识产权中授予的直接或间接权限制作出任何保证或解释。TI 所发布的与第三方产品或服务有关的信息, 不能构成从 TI 获得使用这些产品或服务的许可、授权、或认可。使用此类信息可能需要获得第三方的专利权或其它知识产权方面的许可, 或是 TI 的专利权或其它知识产权方面的许可。

对于 TI 的产品手册或数据表中 TI 信息的重要部分, 仅在没有对内容进行任何篡改且带有相关授权、条件、限制和声明的情况下才允许进行复制。TI 对此类篡改过的文件不承担任何责任或义务。复制第三方的信息可能需要服从额外的限制条件。

在转售 TI 组件或服务时, 如果对该组件或服务参数的陈述与 TI 标明的参数相比存在差异或虚假成分, 则会失去相关 TI 组件或服务的所有明示或暗示授权, 且这是不正当的、欺诈性商业行为。TI 对任何此类虚假陈述均不承担任何责任或义务。

客户认可并同意, 尽管任何应用相关信息或支持仍可能由 TI 提供, 但他们将独自负责满足与其产品及其应用中使用 TI 产品相关的所有法律、法规和安全相关要求。客户声明并同意, 他们具备制定与实施安全措施所需的全部专业技术和知识, 可预见故障的危险后果、监测故障及其后果、降低有可能造成人身伤害的故障的发生机率并采取适当的补救措施。客户将全额赔偿因在此类安全关键应用中使用任何 TI 组件而对 TI 及其代理造成的任何损失。

在某些场合中, 为了推进安全相关应用有可能对 TI 组件进行特别的促销。TI 的目标是利用此类组件帮助客户设计和创立其特有的可满足适用的功能安全性标准和要求的终端产品解决方案。尽管如此, 此类组件仍然服从这些条款。

TI 组件未获得用于 FDA Class III (或类似的生命攸关医疗设备) 的授权许可, 除非各方授权官员已经达成了专门管控此类使用的特别协议。

只有那些 TI 特别注明属于军用等级或“增强型塑料”的 TI 组件才是设计或专门用于军事/航空应用或环境的。购买者认可并同意, 对并非指定面向军事或航空航天用途的 TI 组件进行军事或航空航天方面的应用, 其风险由客户单独承担, 并且由客户独自负责满足与此类使用相关的所有法律和法规要求。

TI 已明确指定符合 ISO/TS16949 要求的产品, 这些产品主要用于汽车。在任何情况下, 因使用非指定产品而无法达到 ISO/TS16949 要求, TI 不承担任何责任。

| | 产品 | | 应用 |
|---------------|--|--------------|--|
| 数字音频 | www.ti.com.cn/audio | 通信与电信 | www.ti.com.cn/telecom |
| 放大器和线性器件 | www.ti.com.cn/amplifiers | 计算机及周边 | www.ti.com.cn/computer |
| 数据转换器 | www.ti.com.cn/dataconverters | 消费电子 | www.ti.com.cn/consumer-apps |
| DLP® 产品 | www.dlp.com | 能源 | www.ti.com.cn/energy |
| DSP - 数字信号处理器 | www.ti.com.cn/dsp | 工业应用 | www.ti.com.cn/industrial |
| 时钟和计时器 | www.ti.com.cn/clockandtimers | 医疗电子 | www.ti.com.cn/medical |
| 接口 | www.ti.com.cn/interface | 安防应用 | www.ti.com.cn/security |
| 逻辑 | www.ti.com.cn/logic | 汽车电子 | www.ti.com.cn/automotive |
| 电源管理 | www.ti.com.cn/power | 视频和影像 | www.ti.com.cn/video |
| 微控制器 (MCU) | www.ti.com.cn/microcontrollers | | |
| RFID 系统 | www.ti.com.cn/rfidsys | | |
| OMAP应用处理器 | www.ti.com.cn/omap | | |
| 无线连通性 | www.ti.com.cn/wirelessconnectivity | 德州仪器在线技术支持社区 | www.deyisupport.com |

Mailing Address: Texas Instruments, Post Office Box 655303, Dallas, Texas 75265
Copyright © 2016, Texas Instruments Incorporated