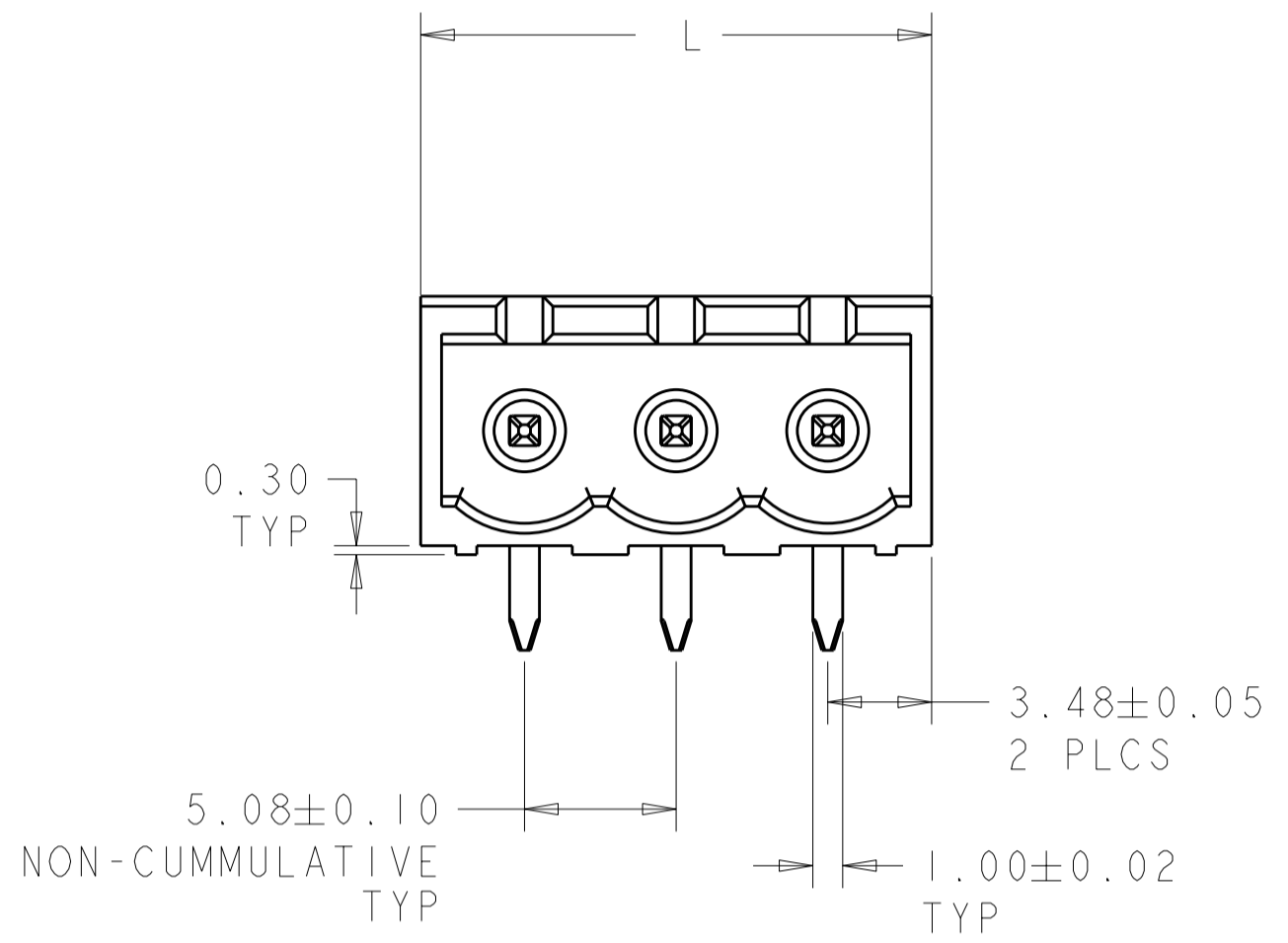
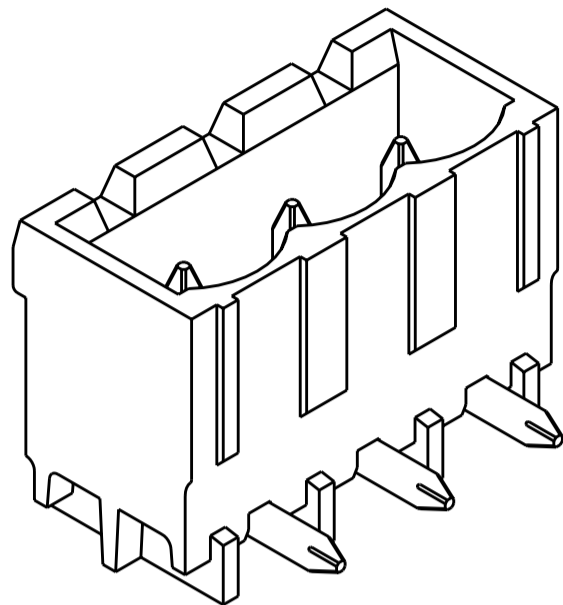
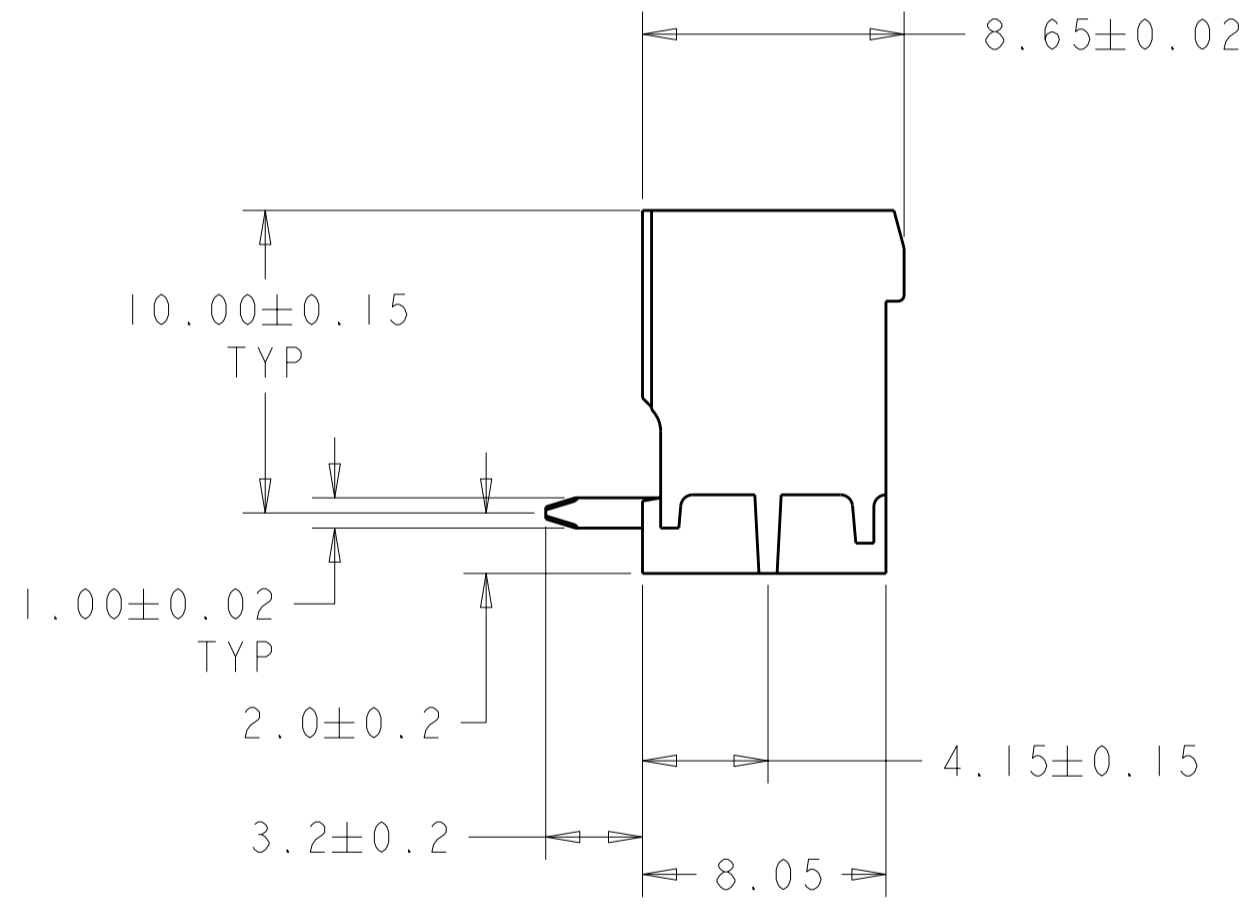
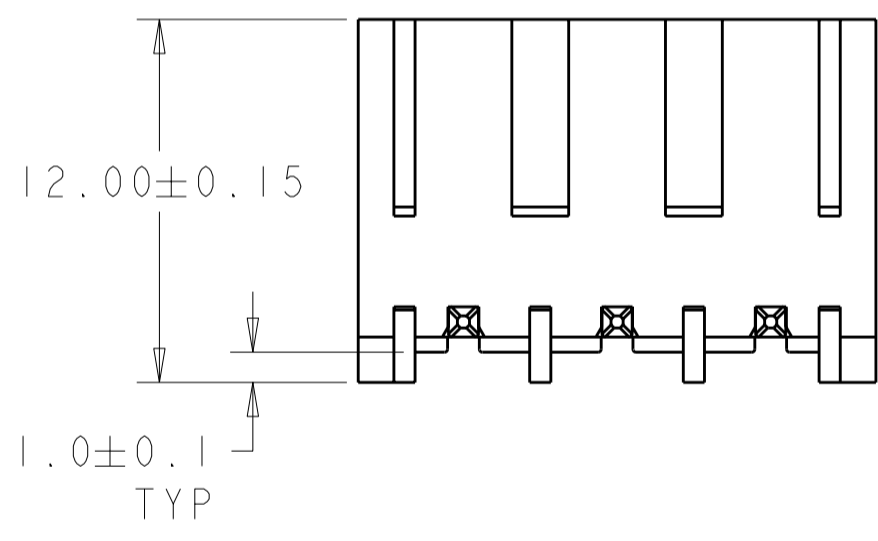


THIS DRAWING IS UNPUBLISHED. RELEASED FOR PUBLICATION 20
 © COPYRIGHT 20 BY TYCO ELECTRONICS CORPORATION. ALL RIGHTS RESERVED.

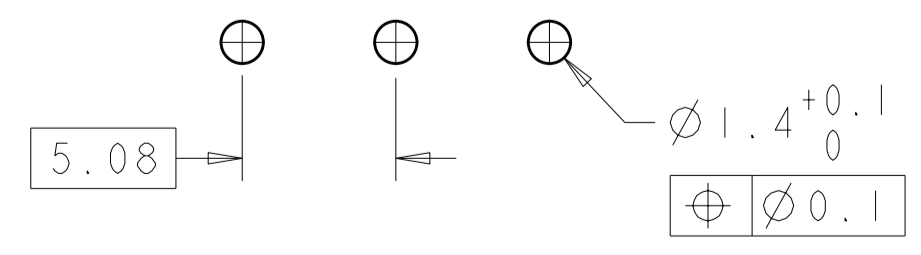
LOC		DIST		REVISIONS			
P	LTR	DESCRIPTION	DATE	DWN	APVD		
	A3	REVISED PER ECO-06-29210	14DEC2006	SS	CR		
	A4	REVISED ECO-07-018765	27AUG2007	SW	CR		
	A5	ECO-08-024206	02OCT2008	MB	CR		



- 1. MATERIALS AND FINISH:
 HOUSING: NYLON OR POLYESTER, HIGH TEMPERATURE, UL 94-V0, COLOR: BLACK.
 TERMINAL: PHOSPHOR BRONZE, FINISH: SEE TABLE.
- 2. SUITABLE FOR 1,6-2, 4mm PC BOARD THICKNESS.
- 3. RECOGNIZED UNDER THE COMPONENT PROGRAM OF UNDERWRITERS LABORATORIES INC. FILE N° E60677.
- 4. IMQ CERTIFICATE WITH SURVEILLANCE IN CONFORMITY WITH IEC 998-1/998-2-1.
- 5. PARTS PLACED ON 44mm WIDE TAPE X 20mm PITCH AND PACKAGED ON REEL.



0.8µm GOLD	-	22.20±0.10	4	1-1776038-6
TIN PLATED	5	27.28±0.10	5	1-1776038-5
TIN PLATED	5	22.20±0.10	4	1-1776038-4
TIN PLATED	-	62.84±0.20	12	1-1776038-2
TIN PLATED	-	57.76±0.20	11	1-1776038-1
TIN PLATED	-	52.68±0.20	10	1-1776038-0
TIN PLATED	-	47.60±0.15	9	1776038-9
TIN PLATED	-	42.52±0.15	8	1776038-8
TIN PLATED	-	37.44±0.15	7	1776038-7
TIN PLATED	-	32.36±0.15	6	1776038-6
TIN PLATED	-	27.28±0.10	5	1776038-5
TIN PLATED	-	22.20±0.10	4	1776038-4
TIN PLATED	-	17.12±0.10	3	1776038-3
TIN PLATED	-	12.04±0.10	2	1776038-2
CONTACT FINISH	PACKAGING	DIM L	NO OF POSN	PART NUMBER



RECOMMENDED PC BOARD LAYOUT

THIS DRAWING IS A CONTROLLED DOCUMENT FOR TYCO ELECTRONICS CORPORATION. IT IS SUBJECT TO CHANGE AND THE CONTROLLING ENGINEERING ORGANIZATION SHOULD BE CONTACTED FOR THE LATEST REVISION.		DWN: S. WELDON 09JUL2004	AMP Tyco Electronics Harrisburg, PA 17105-3608	
DIMENSIONS: mm		CHK: C. RICHARD 12JUL2004	NAME: TERMINAL BLOCK HEADER ASSEMBLY, 90 DEGREE, CLOSED ENDS, HIGH TEMPERATURE, 5.08mm PITCH	
TOLERANCES UNLESS OTHERWISE SPECIFIED: 0 PLC ±- 1 PLC ±0.1 2 PLC ±- 3 PLC ±- 4 PLC ±- ANGLES ±- FINISH		APVD: C. RICHARD 12JUL2004	SIZE: A2 CAGE CODE: 00779 DRAWING NO: 1776038 RESTRICTED TO: -	
MATERIAL: -		PRODUCT SPEC: -	SCALE: 4:1 SHEET 1 OF 1 REV A5	
CUSTOMER DRAWING		APPLIC. SPEC: -		
		WEIGHT: -		