



Color Lens Strobe Attachment

The System Sensor color lens attachments are easy to install to any indoor or outdoor SpectrAlert® Advance strobe devices to provide distinctive visual signaling.



Features

- Available in four colors — amber, blue, green, and red
- Easily attaches to any non-fire printed SpectrAlert Advance strobe
- Outdoor rated from –35°F to 151°F
- Wall or ceiling mount lenses available
- Applications include mass notification, severe weather, emergency response, and more
- UL 1638 listed

The System Sensor SpectrAlert Advance color lens attachments come in four colors—amber, blue, green, and red—for mass notification, severe weather, emergency response, and other non-fire applications. The lenses easily attach to any non-fire printed SpectrAlert Advance strobes, including horn strobes, speaker strobes and strobe-only devices. The lenses may be used with wall or ceiling strobes in indoor or outdoor applications.

Each lens ships with a clear adhesive on the bottom surface. The lens is then aligned with the clear strobe and applied.

Agency Listings



S3593



7300-1653:204

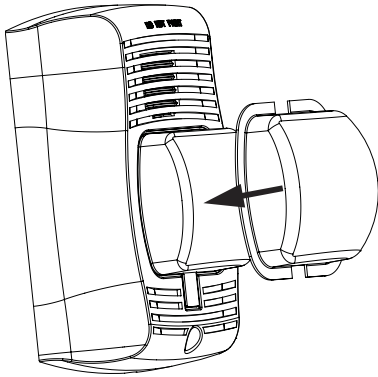
SpectrAlert® Advance Color Lens Strobe Attachment Specifications

Architectural/Engineering Specifications

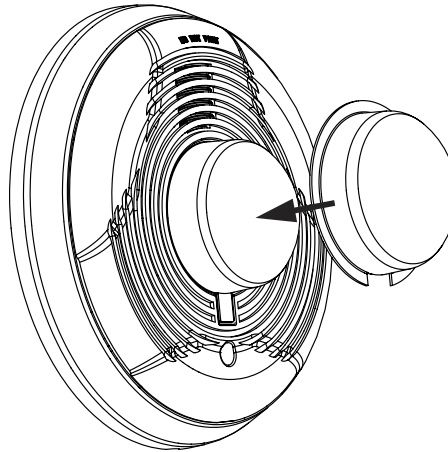
The System Sensor SpectrAlert Advance color lens attachments shall be approved for fire protective service as listed in UL 1638. The lens attachments shall only be used with non-fire printed System Sensor strobe devices. The lens shall mount to any wall or ceiling mount strobes and be rated from -35°F to 151°F.

Lens Installation

Installation to Wall Mount Strobe



Installation to Ceiling Mount Strobe



Candela Rating for UL1638

Light output of color lenses is measured per UL1638, on axis, and is not derated.

Strobe Output (cd)	
Candela Switch Setting	On-Axis Candela Rating (UL1638) – All Colors
15	15
15/75*	NA
30	30
75	75
95	95
110	110
115	115
135	135
150	150
177	177
185	185

*15/75 Candela setting not to be used with color lenses

Ordering Information

Part No.	Description
LENS-B	Wall mount lens attachment, blue
LENS-R	Wall mount lens attachment, red
LENS-G	Wall mount lens attachment, green
LENS-A	Wall mount lens attachment, amber
LENS-BC	Ceiling mount lens attachment, blue
LENS-RC	Ceiling mount lens attachment, red
LENS-GC	Ceiling mount lens attachment, green
LENS-AC	Ceiling mount lens attachment, amber

Color lens attachments may be used with the following System Sensor non-fire (Plain) indoor or outdoor strobe models: SR-P, SRH-P, SW-P, SWH-P, P2R-P, P2RH-P, P2W-P, P2WH-P, P4R-P, P4RH-P, P4W-P, P4WH-P, P2RK-P, P2RHK-P, SCR-P, SCRH-P, SCW-P, SCWH-P, PC2R-P, PC2RH-P, PC2W-P, PC2WH-P, SPWW-P, SPSR-P, SPSWH-P, SPSRH-P, SPSWV-P, SPSRV-P, SPSCW-P, SPSCWH-P, SPSCWV-P, SPSCWVH-P.



3825 Ohio Avenue • St. Charles, IL 60174
Phone: 800-SENSOR2 • Fax: 630-377-6495

©2008 System Sensor.
Product specifications subject to change without notice. Visit systemsensor.com for current product information, including the latest version of this data sheet.
A05-0439-001 • 11/08 • #2065