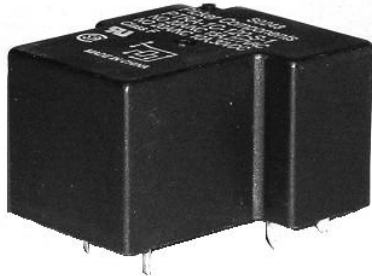


## 30 AMP Power PCB Relay With AC Coils

## PTRA



### FEATURES

- New power PCB relay with AC Coils
- Up to 30 amp switching capacity
- Up to 2 horsepower rating
- From 12 to 220 volt AC coils
- UL Class F insulation standard
- Available with UL 873 spacing
- Epoxy sealed, immersion cleanable

 File # E93379

### UL/CSA RATINGS

Load Type	Voltage	1 Form A (SPST-NO)	1 Form B (SPST-NC)	1 Form C (SPDT)	
				NO	NC
General Purpose	120 VAC	30 A	15 A	20 A	10 A
	240 VAC	30 A	15 A	20 A	10 A
	30 VDC	20 A	10 A	20 A	10 A
Resistive ( 100,000 cycles)	120 VAC	30 A	15 A	20 A	10 A
	240 VAC	30 A	15 A	20 A	10 A
Motor ( 30,000 cycles )	240 VAC	2 HP	.5 HP	2 HP	.5 HP
	120 VAC	1 HP	.25 HP	1 HP	.25 HP
LRA/FLA (locked rotor amps/full load amps)	240 VAC	80 A/30 A	30 A/10 A	50 A/20 A	20 A/7 A
	120 VAC	98 A/22 A	30 A/10 A	50 A/20 A	20 A/7 A

### CONTACT DATA

<b>Material</b>		AgCdO (Silver Cadmium Oxide), AgSnOInO (Silver Tin Indium Oxide)
<b>Initial Contact Resistance</b>		50 milliohms max @ 0.1A, 6VDC
<b>Service Life</b>	<b>Mechanical</b>	1 X 10 <sup>7</sup> Operations
	<b>Electrical</b>	1 X 10 <sup>5</sup> Operations

### CHARACTERISTICS

<b>Operate Time</b>	20 ms. max
<b>Release Time</b>	15 ms. max
<b>Insulation Resistance</b>	1,000 megohms min, at 500 VDC, 50%RH
<b>Dielectric Strength</b>	1500 Vrms, 1 min. between open contacts
	1500 Vrms, 1 min. between coil and contacts
<b>Shock Resistance</b>	10 g, 11ms, functional; 100 g, destructive
<b>Vibration Resistance</b>	DA 1.5mm, 10-55 Hz
<b>Power Consumption</b>	0.9W, approx.
<b>Ambient Temperature Range</b>	-55 degrees C to 105 degrees C operating, -55 to 155 degrees C storage
<b>Weight</b>	30 grams approx.

PTRA Rev C 3-25-04

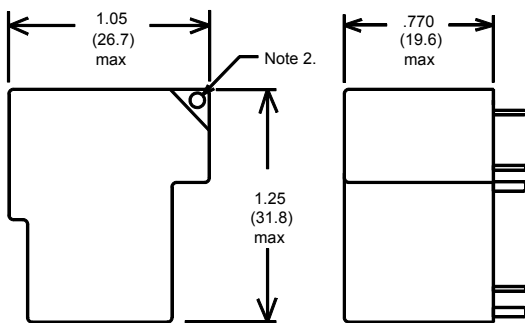
**ORDERING INFORMATION**

Example:	PTRA	-1C	-120	S	T	-1
Model						
Contact Form						
1A, 1B, or 1C						
Coil Voltage						
Configuration						
Nil: Open Frame; S: Sealed plastic case						
Contact Material						
Nil: AgCdO; T: AgSnOInO						
Spacing						
Nil: UL 508; -1: UL 873 (Pin # 6 Omitted)						

**COIL DATA**

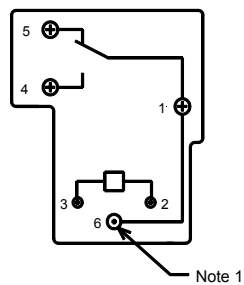
Coil Voltage	Resistance ohms <sub>s</sub> + 10%	Must Operate Voltage Max. (VAC)	Must Release Voltage Min. (VAC)	Continuous Voltage Max. (VDC)
12	26	10.20	1.8	13.8
24	106	20.40	3.6	27.6
120	2750	93.50	16.0	138
220/240	11000	187.00	33.0	276

**Overall Dimensions**  
Inches (millimeters)

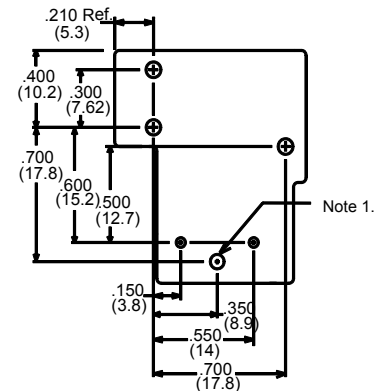


- Notes:**  
 1. This pin omitted for UL 873 version.  
 2. Breakable nib may be removed after flux removal.

**Schematic**



**Pin Layout**  
Bottom View



Tolerances  $\pm .010$  unless otherwise noted  
 Holes for load term.  $.081 \pm .005$  Dia. ( $2.06 \pm .13$ )  
 Holes for Coil term.  $.043 \pm .003$  Dia. ( $1.09 \pm .08$ )



3220 Commander Drive, Suite 102, Carrollton, Texas 75006

Sales: Call Toll Free (888) 997-3933 Fax (818) 342-5296 email: pickerwest@sbcglobal.net URL: pickercomponents.com