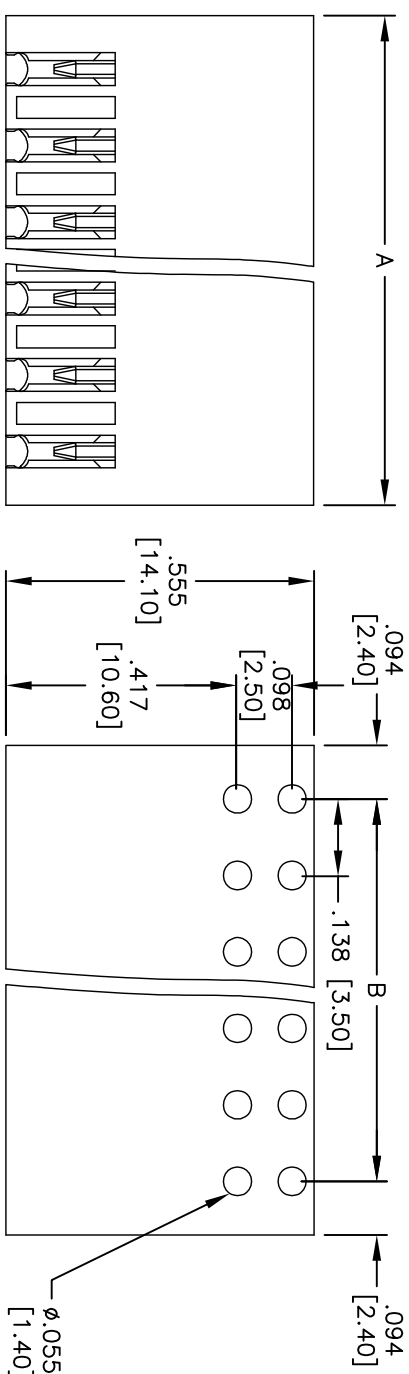


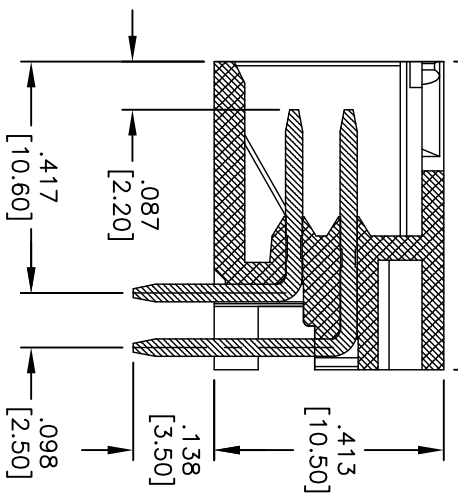
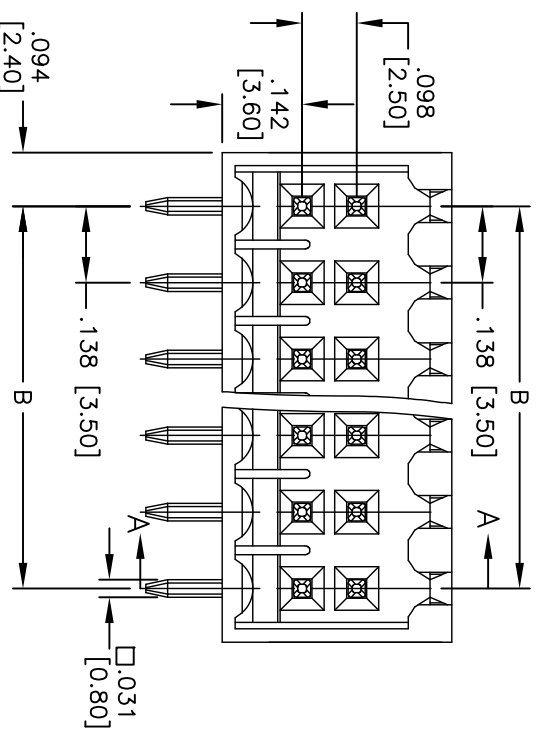
Rev	AWO #	Description	Date	Appr
-		RELEASED	10/29/10	

APPROVED: _____ TITLE: _____

DATE: _____



RECOMMENDED PCB LAYOUT



SECTION A-A

SPECIFICATIONS:
 Material:
 Insulator: Thermoplastic, rated UL 94V-0
 Insulator color: Orange
 Contact: Copper Alloy, Tin plated.
 Electrical:
 Operation voltage: 150 VAC
 Current rating: 7 Amps
 Mechanical:
 Withstanding Voltage: 1.3KV
 Environmental:
 Operating temperature: -40°C to +115°C
 Lead free, RoHS compliant.
 Recommended soldering temp: 235°C for 5 sec.

ADAM TECH
 909 Rahway Avenue, Union, NJ 07083
 Phone: 908-687-5000 Fax: 908-687-5710

EURO BLOCK, .138 [3.50] PITCH,
CLOSE TYPE, RIGHT ANGLE



UNLESS OTHERWISE SPECIFIED
 ALL DIMENSIONS ARE MM [INCHES]
 TOLERANCES: EXCEPT AS NOTED
 INCHES HOLEES

.X	± .10	ØXX	± .10
.XX	± .020	ØXXX	± .015
.XXX	± .015	ØXXXX	± .010

Poles: 4, 6, 8 thru 48
 A = .138 [3.50] X No. of Spaces + .193 [4.90]
 B = .138 [3.50] X No. of Spaces

APPROVALS	DATE	TITLE	SIZE	PART NO.	SCALE	SHEET 1 OF 1
DRAWN AY	10/29/10	EURO BLOCK, .138 [3.50] PITCH, CLOSE TYPE, RIGHT ANGLE	X	EB120-XX-A	MKS	1
CHECKED AW	10/29/10					
APPROVED						