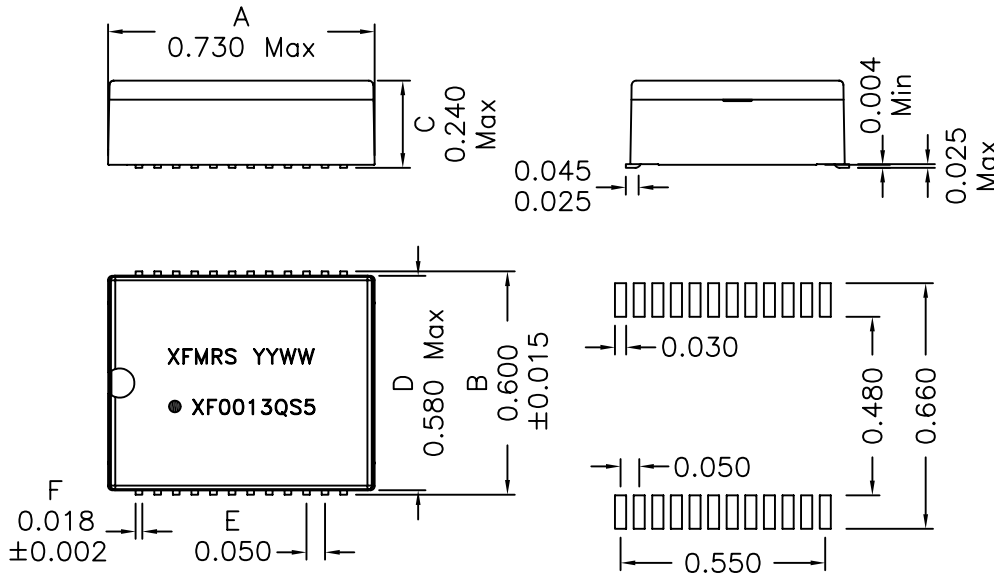
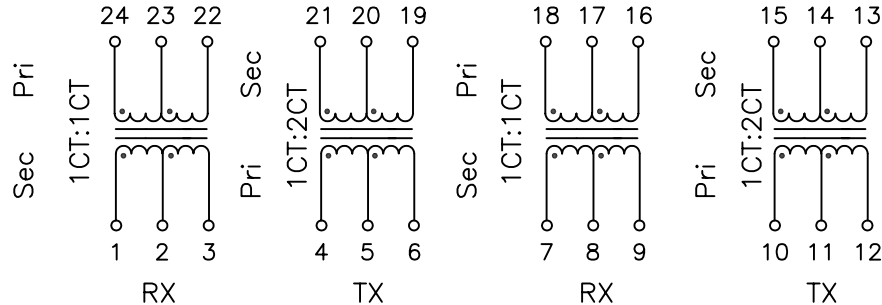


### 1. Mechanical Dimensions:



SUGGESTED PAD LAYOUT

### 2. Schematic:



### 3. Electrical Specifications: @25°C

- Isolation: 1500 Vrms (PRI to SEC)
- TX Turns Ratio: 1CT:2CT ±3% (PRI:SEC)
- RCV Turns Ratio: 1CT:1CT ±3% (PRI:SEC)
- PRI OCL: 1.20mH Minimum @100KHz 100mV
- Cw/w: 35pF Maximum @100KHz 100mV (PRI/SEC)
- PRI LL: 0.5uH Maximum @100KHz 100mV
- DCR: P4-6, P10-12, P18-16, P24-22  
0.8 Ohms Max
- Crosstalk: (0.1-10MHz) -60dB Typ
- PRI PINS: P4-5-6, P10-11-12  
P24-23-22, P18-17-16
- Q: 5 Min @10KHz 50mV

Notes:

1. Solderability: Leads shall meet MIL-STD-202G, Method 208H for solderability.
2. Flammability: UL94V-0
3. ASTM oxygen index: > 28%
4. Insulation System: Class F 155°C. UL file E151556
5. Operating Temperature Range: All listed parameters are to be within tolerance from -40°C to +85°C
6. Storage Temperature Range: -55°C to +125°C
7. Aqueous wash compatible
8. SMD Lead Coplanarity: ±0.004"(0.102mm)
9. Electrical and mechanical specifications 100% tested
10. RoHS Compliant Component

<b>XFMRS Inc</b> www.XFMRS.com	Title: T1/E1/CEPT DUAL PORT		
	UNLESS OTHERWISE SPECIFIED TOLERANCES: .xxx ±0.010 Dimensions in INCH		P/N: XF0013QS5 REV. B
SHEET 1 OF 1	DWN.	Feng	Aug-19-11
	CHK.	YK Liao	Aug-19-11
	APP.	BW	Aug-19-11

DOC. REV: B/1