

NCR-1567

**Rugged IP67 Wireless Edge Appliance
for Industrial SD-WAN and Cybersecurity**



Images are for reference only. See ordering information for SKU details.

■ Features

- Fanless Design Compliant with IP67 and MIL-STD-810G
- Intel® Atom® C3000 Extended Temperature CPU (Denverton)
- 2x DDR4 2133/1866 MHz ECC SODIMM Slots, Max. 64GB
- M12 I/O: 4x LAN with SR-IOV, 2x PoE+, 1x USB, 1x RS232/485
- Wide Operating Temperature: -40~70°C (by SKU)
- 1x M.2 Socket for 5G, 1x M.2 socket for Wi-Fi 6, 1x Micro SIM
- Intel® QuickAssist Technology
- On-board eMMC 64GB, 1x M.2 2242 B Key, TPM 2.0

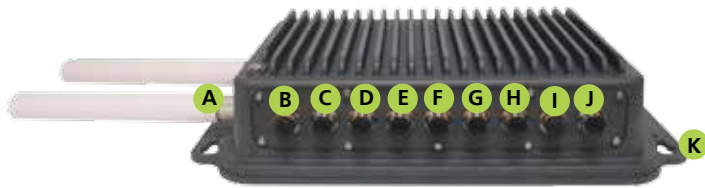
■ Preliminary Specifications

Platform	
Form Factor	Desktop
Processor Options	Intel® Atom® C3000 (Denverton)
CPU Socket	Onboard
Chipset	SoC
Security Acceleration	Intel® QuickAssist Technology
BIOS	AMI SPI Flash BIOS
System Memory	
Technology	DDR4 2133/1866 MT/s ECC SODIMM
Max. Capacity	64 GB
Socket	2x 260-pin SODIMM
Networking	
Ethernet Ports	4x GbE LAN with SR-IOV, 2x GbE POE+ by M12 X-coded 8pin Female connector with isolation 1.5KVAC/2.1KVDC
Bypass	N/A
NIC Module Slot	N/A
LOM	
IO Interface	N/A
OPMA Slot	N/A
I/O Interface	
Reset Button	N/A
LED	N/A
Power Button	N/A
Console	1 x RS232/485 by M12 X-coded 8pin Female connector with isolation 1.5KVAC/2.1KVDC
USB	1 x USB 3.0 by M12 A-coded 8pin Male connector
LCD Module	N/A
Display	N/A
Storage	
HDD/SSD Support	1x SATA port (option), 1x M.2 2242 B key
eMMC	On-board eMMC 64GB(max.)

Expansion	
M.2 for 5G	1x M.2 304(5)2 B Key socket for 5G
M.2 for Wi-Fi 6	1x M.2 2230 E Key socket for WiFi 6
SIM Card Slot	Micro-SIM & 1x eSIM (reserved)
Miscellaneous	
Watchdog	Yes
Internal RTC with Li Battery	Yes
TPM	Onboard TPM 2.0
Cooling	
Processor	Passive CPU Heatsink
System	Fanless
Environmental Parameters	
Temperature	-40~70°C Operating (C3708/C3508/C3308) -40~60°C Operating (C3808) -40~85°C Ambient storage
Humidity (RH)	5~90% Operating 5~95% Non-Operating
System Dimensions	
(WxDxH)	370mm x 210mm x 83mm
Weight	4.6 kg
Package Dimensions	
(WxDxH)	TBD
Weight	TBD
Power	
Type / Watts	DC-IN, Up to 150W
Input	Rated 24-36Vdc (range 9-50Vdc), supports with reverse protection by M12 K-coded 5pin Male connector with isolation 1.5KVAC/2.1KVDC
Certification	
Approvals and Compliance	CE/FCC class A, UL 62368-1, CB, IP67, MIL-STD-810G

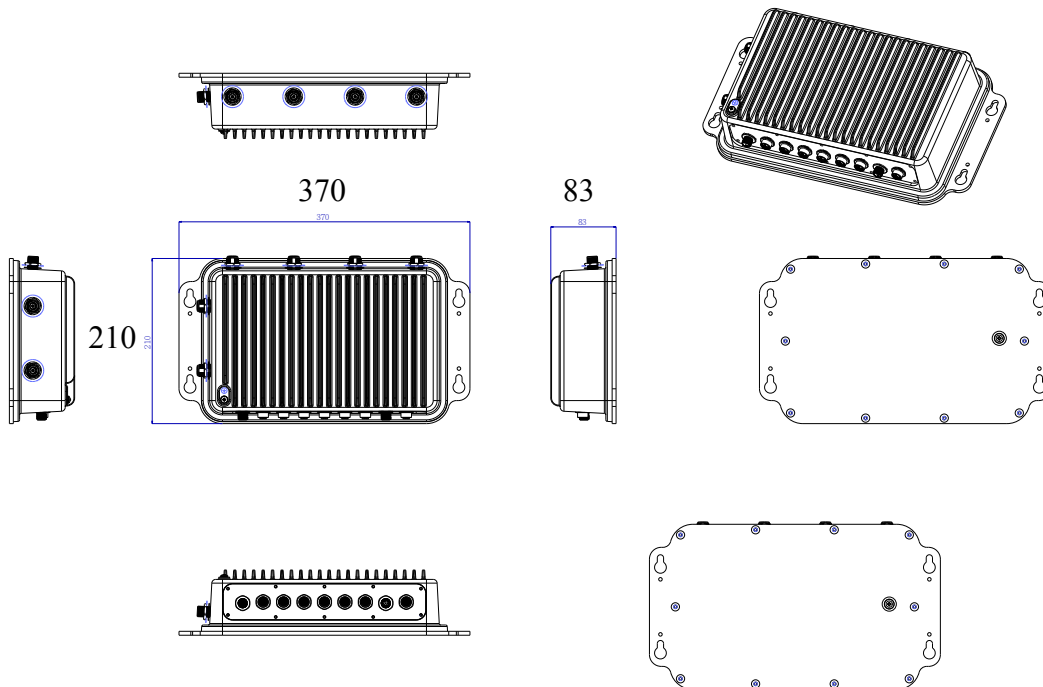
Product I/O View

Images are for reference only. See ordering information for SKU details.



- | | | | |
|-------------------|----------------|----------------|--------------------------|
| A Antenna | D PoE 2 | G LAN 3 | J RS 232/485 |
| B DC input | E LAN 1 | H LAN 4 | K Wall mount hole |
| C PoE 1 | F LAN 2 | I USB | |

Dimensions (WxDxH) 370mm x 210mm x 83mm



Ordering Information

- NCR-1567A** Rugged IP67 Wireless Edge Appliance with Intel Atom C3808 processor
- NCR-1567B** Rugged IP67 Wireless Edge Appliance with Intel Atom C3708 processor

V1-2020.11.27

Lanner

© Lanner Electronics Inc. All rights reserved.
 All product specifications are subject to change without notice.
contact@lannerinc.com | www.lannerinc.com