

Power module - AXL P FBPS 28DC/0.5A - 2316394

Please be informed that the data shown in this PDF Document is generated from our Online Catalog. Please find the complete data in the user's documentation. Our General Terms of Use for Downloads are valid (<http://phoenixcontact.com/download>)




Axioline P redundant power supply plug for the PROFIBUS PA power supply base. Provides 500 mA @ 28 V DC to Fieldbus couplers along the trunk.

Product Description

The AXL P FBPS 28DC/0.5A is a redundant, 500 mA PROFIBUS PA power supply plug with integrated PROFIBUS PA diagnostics and load sharing capabilities.



Key Commercial Data

Packing unit	1 pc
GTIN	 4 055626 368368
GTIN	4055626368368
Weight per Piece (excluding packing)	120.000 g
Custom tariff number	85366990
Country of origin	United States

Technical data

Note

Utilization restriction	Use in potentially explosive areas is not permitted in China.
-------------------------	---

Dimensions

Height	92 mm
Depth	97 mm
Width	17 mm

Ambient conditions

Degree of protection	IP20
----------------------	------

Power module - AXL P FBPS 28DC/0.5A - 2316394

Technical data

Standards and Regulations

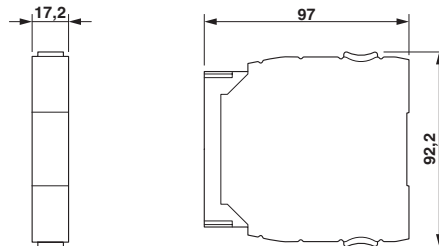
Standards/specifications	Ring wave noise immunity in acc. with IEC 61000-4-12
	PROFIBUS standardization IEC 61158-2
Shock	15g
Vibration (operation)	2g
ATEX	# II 3 G Ex ec IIC T4 Gc IBE _x U 18ATEXB018X
IECEX	Ex ec IIC T4 Gc IECEX IBE 18.0023X
UL, USA / Canada	Class I, Div. 2, Groups A, B, C, D T4 Class I, Zone 2, IIC T4

Environmental Product Compliance

REACH SVHC	Lead 7439-92-1
China RoHS	Environmentally Friendly Use Period = 25;
	For details about hazardous substances go to tab "Downloads", Category "Manufacturer's declaration"

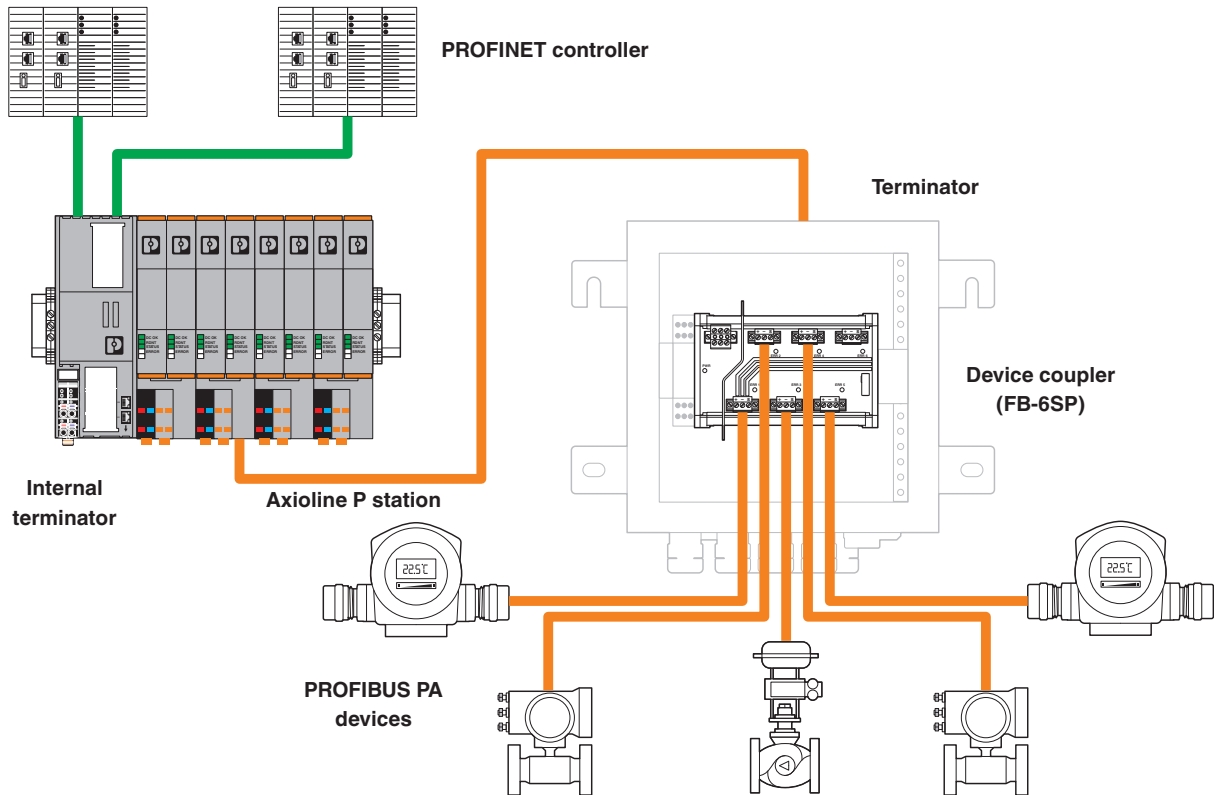
Drawings

Dimensional drawing



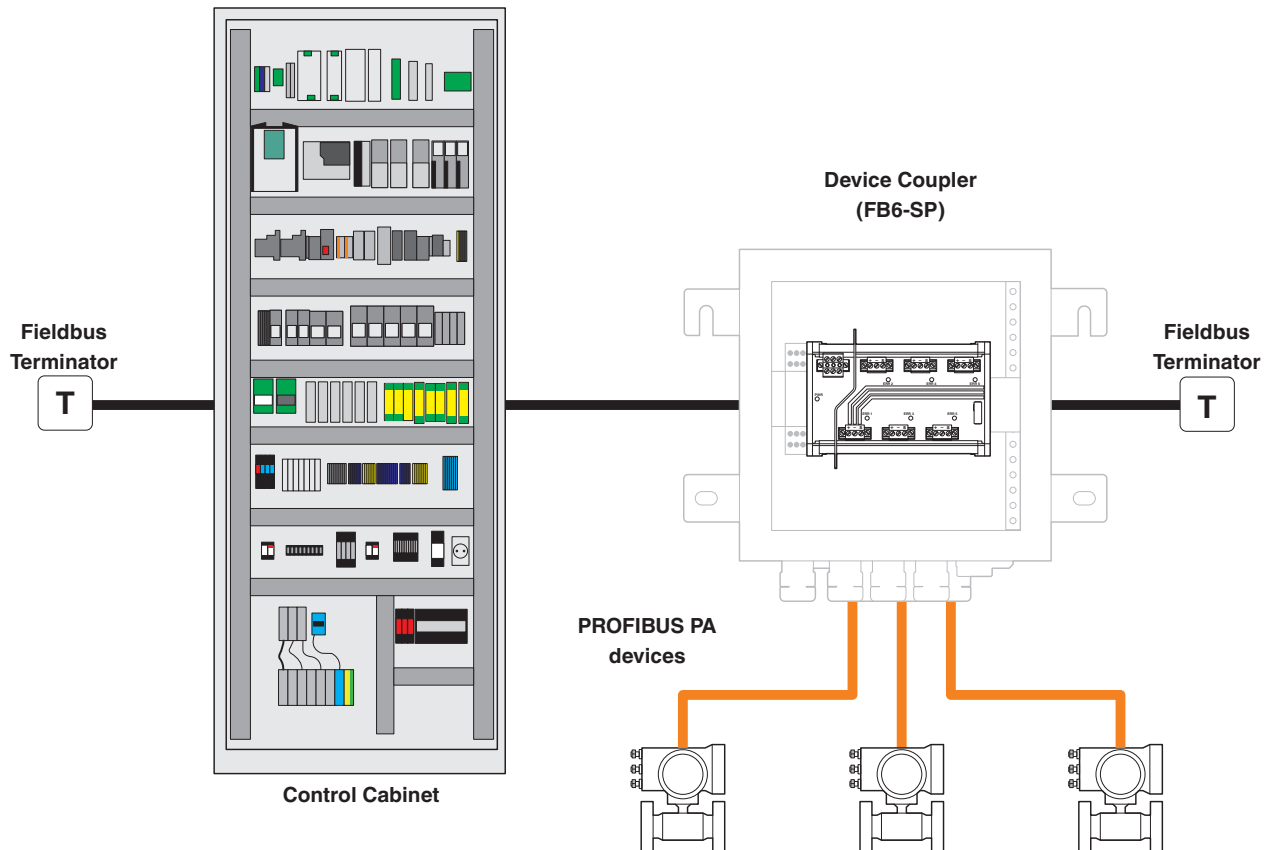
Power module - AXL P FBPS 28DC/0.5A - 2316394

Application drawing



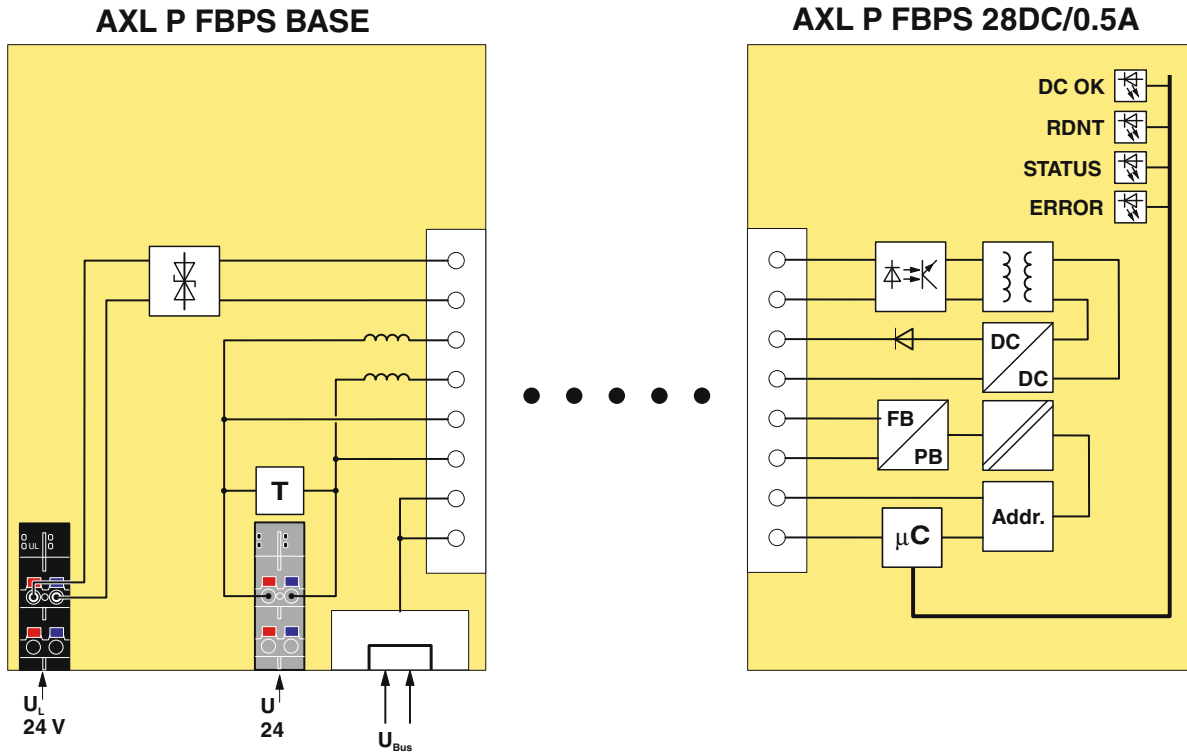
Power module - AXL P FBPS 28DC/0.5A - 2316394

Application drawing



Power module - AXL P FBPS 28DC/0.5A - 2316394

Block diagram



Classifications

eCl@ss

eCl@ss 10.0.1	27242611
eCl@ss 11.0	27242611

Power module - AXL P FBPS 28DC/0.5A - 2316394

Classifications

eCl@ss

eCl@ss 9.0	27242611
------------	----------

ETIM

ETIM 6.0	EC002583
ETIM 7.0	EC002583

UNSPSC

UNSPSC 18.0	32151602
UNSPSC 19.0	32151602
UNSPSC 20.0	32151602
UNSPSC 21.0	32151602

Approvals

Approvals

Approvals

UL Listed / cUL Listed / EAC / cULus Listed

Ex Approvals

ATEX / IECEx / UL Listed / cUL Listed / cULus Listed

Approval details

UL Listed		http://database.ul.com/cgi-bin/XYV/template/LISEXT/1FRAME/index.htm	FILE E 238705
-----------	--	---	---------------

cUL Listed		http://database.ul.com/cgi-bin/XYV/template/LISEXT/1FRAME/index.htm	FILE E 238705
------------	--	---	---------------

EAC		RU C- DE.**08.B.00520
-----	--	--------------------------

Power module - AXL P FBPS 28DC/0.5A - 2316394

Approvals

cULus Listed



Accessories

Accessories

Device coupler

Base module - AXL P FBPS BASE - 2316393



Axioline P base for PROFIBUS PA power supply plugs. Provides Fieldbus power supply redundancy when two plugs are installed.

I/O component

Bus coupler - AXL P BK PN AF - 2316390



Axioline P bus coupler for PROFINET. Connects to PROFIBUS PA power supplies and Axioline P I/O modules along the AXIOLINE P local bus. (includes power supply connector and bus base module)

Additional products

Termination block - AXL P TERM PAIR - 2316402



Axioline P terminator pair

Spare parts

Power module - AXL P FBPS 28DC/0.5A - 2316394

Accessories

Bus connector - AXL P BS 35 - 2316396



Axioline P bus base module for housing type FBPS base