

EDISWAN

MAZDA

30B1

30B1

CATHODE RAY TUBE—ALL ELECTROSTATIC 3 $\frac{1}{2}$ " Dia.

Indirectly heated high grade precision measurement cathode ray tube with a polished flat face.

RATING

Heater Voltage (volts)	V _h	4.0
Heater Current (amps)	I _h	0.72
Maximum 1st Anode Voltage (volts)	V _{a1} (max)	2,500
Maximum 2nd Anode Voltage (volts)	V _{a2} (max)	1,000
Maximum 3rd Anode Voltage (volts)	V _{a3} (max)	6,000
Average Sensitivity of "X" Plates (mm/V)		• 360/V
Average Sensitivity of "Y" Plates (mm/V)		• 800/V

Where "V" denotes the voltage on the 3rd Anode and bulb coating.

INTER-ELECTRODE CAPACITANCES

X1 Deflecting Plate/All other electrodes (μ F)	C _{x1,all}	15.0
X2 Deflecting Plate/All other electrodes (μ F)	C _{x2,all}	15.0
Y1 Deflecting Plate/All other electrodes (μ F)	C _{y1,all}	14.5
Y2 Deflecting Plate/All other electrodes (μ F)	C _{y2,all}	14.5
X1 Deflecting Plate/Y1 Deflecting Plate (μ F)	C _{x1,y1}	1.5
X1 Deflecting Plate/Y2 Deflecting Plate (μ F)	C _{x1,y2}	1.0
X2 Deflecting Plate/Y1 Deflecting Plate (μ F)	C _{x2,y1}	1.0
X2 Deflecting Plate/Y2 Deflecting Plate (μ F)	C _{x2,y2}	1.25
Control Grid (Wehnelt)/All other electrodes (μ F)	C _{g,all}	9.5

DIMENSIONS

Maximum Overall Length (mm)	340
Maximum Diameter (mm)	90
Nominal Screen Diameter (inches)	3 $\frac{1}{2}$
Approximate Nett Weight (ozs)	21
Approximate Packed Weight (lbs)	10 $\frac{1}{2}$

NOTES

For general measurement work the 30.B.1/P1 is recommended. This has a screen with a medium persistence green phosphor. For special applications, however, the tube may be supplied with any of the standard phosphors described on the Introductory Page to this Section.

Final Anode and Bulb coating are brought out separately in order to enable a finer spot or a higher writing speed to be obtained by increasing the Final Anode voltage above the limit set for the 1st Anode Voltage.

In use the 3rd Anode and bulb coating are normally joined.

30B1

EDISWAN

MAZDA

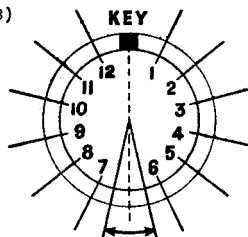
30B1

CATHODE RAY TUBE—ALL ELECTROSTATIC 3½" Dia.

Indirectly heated high grade precision measurement cathode ray tube with a polished flat face.

TYPICAL OPERATION

3rd Anode Voltage (volts)	Va3	2,000	5,000
2nd Anode Voltage - approximate, for focus (volts)	Va2	440	800
1st Anode Voltage (volts)	Va1	2,000	2,000
Average Bias on Control Grid for Cut-off of Beam Current (volts)	Vg	-60	-60
Average Working Bias for 20µA Beam (volts)		-33	-33
Approximate Sensitivity of "X" Plates (mm/V)		0.20	0.08
Approximate Sensitivity of "Y" Plates (mm/V)		0.30	0.12

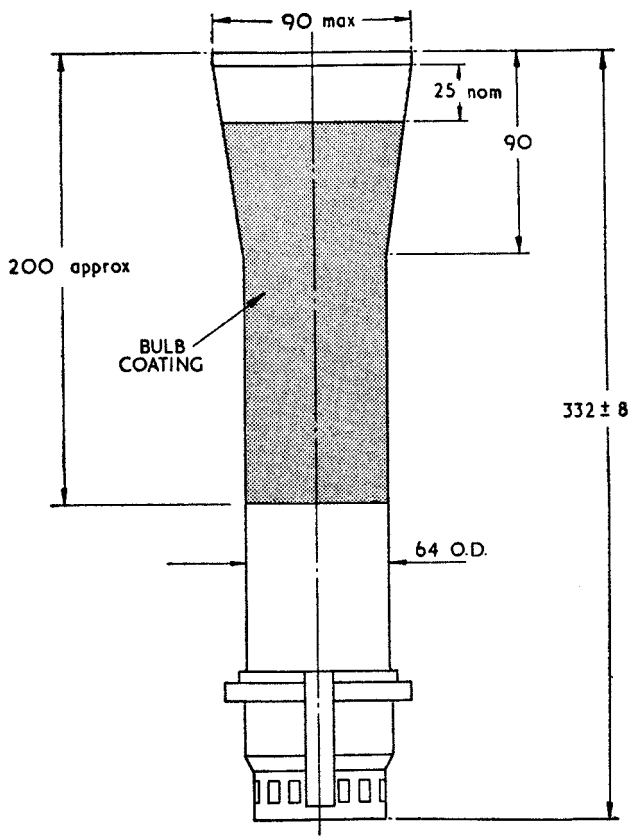
BASE 12 Contact Key Base (BS.448)VIEW OF FREE ENDPERMISSIBLE ANGULAR VARIATION OF MOUNTS ± 10°CONNEXIONS

Pin 1	Control Grid	g
Pin 2	Cathode	k
Pin 3	Heater	h
Pin 4	Heater	h
Pin 5	Anode 1	a1
Pin 6	Anode 2	a2
Pin 7	Internal Coating	m
Pin 8	Deflecting Plate Y2	y2
Pin 9	Deflecting Plate X2	x2
Pin 10	Anode 3	a3
Pin 11	Deflecting Plate X1	x1
Pin 12	Deflecting Plate Y1	y1

EDISWAN 30B1

30B1

CATHODE RAY TUBE—ALL ELECTROSTATIC $3\frac{1}{2}$ " Dia.
Indirectly heated high grade precision measurement
cathode ray tube with a polished flat face



All dimensions in mm.

August 1958

INDUSTRIAL
VALVE & CRT DIVISION

Issue 1/8

SIEMENS EDISON SWAN LIMITED