

PLEASE CHECK WWW.MOLEX.COM FOR LATEST PART INFORMATION

Part Number: [0475969913](#)
Status: **Active**
Description: LGA 1156 Back-plate Assembly for Desktop PC, without Screws, Lead-free

Documents:

[Drawing \(PDF\)](#) [RoHS Certificate of Compliance \(PDF\)](#)
[Product Specification PS-47596-001 \(PDF\)](#)

General

Product Family	Processor Sockets
Series	47596
Component Type	Back Plate Assembly
Product Name	LGA1156

Physical

Circuits (Loaded)	N/A
Durability (mating cycles max)	20
Material - Metal	Steel
Material - Plating Mating	Nickel
Packaging Type	Tray
Pitch - Mating Interface (in)	0.000 In
Pitch - Mating Interface (mm)	0.00 mm
Temperature Range - Operating	-25°C to +100°C
Termination Interface: Style	Screw or Lug

Electrical

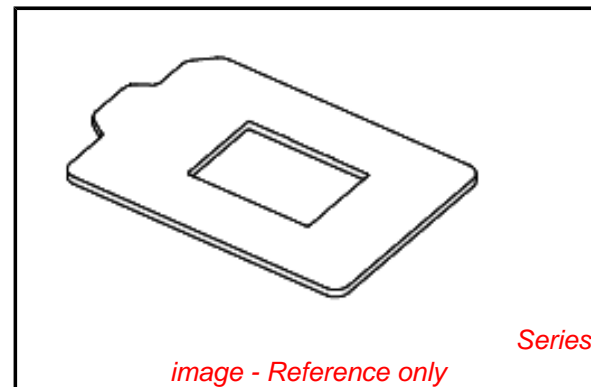
Current - Maximum per Contact	N/A
Voltage - Maximum	N/A

Material Info

Reference - Drawing Numbers

Packaging Specification	PK-47596-004
Product Specification	PS-47596-001
Sales Drawing	SD-47596-004

Intel and Nehalem and relevant names are either trademarks or registered trademarks of Intel Corporation



EU RoHS

**ELV and RoHS
Compliant**
REACH SVHC
 Not Reviewed
**Halogen-Free
Status**

China RoHS



**Need more information on product
environmental compliance?**

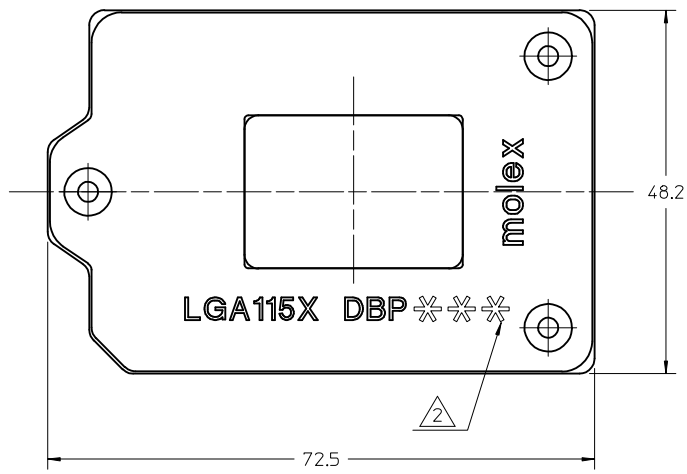
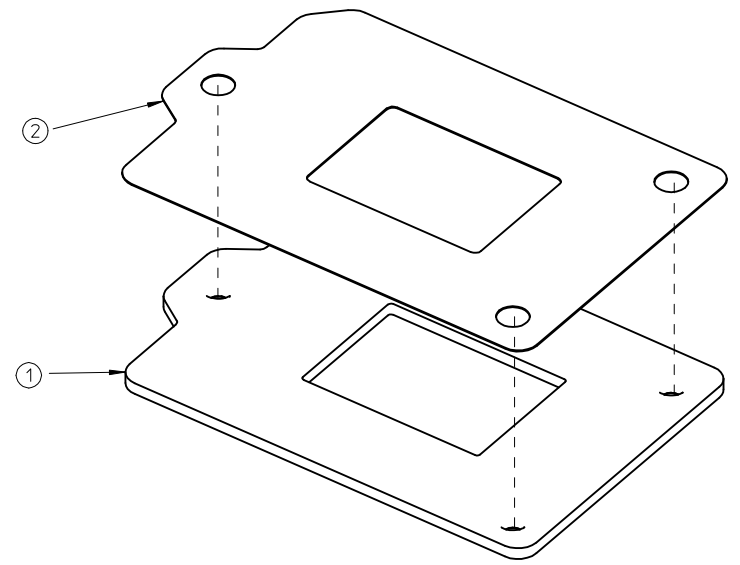
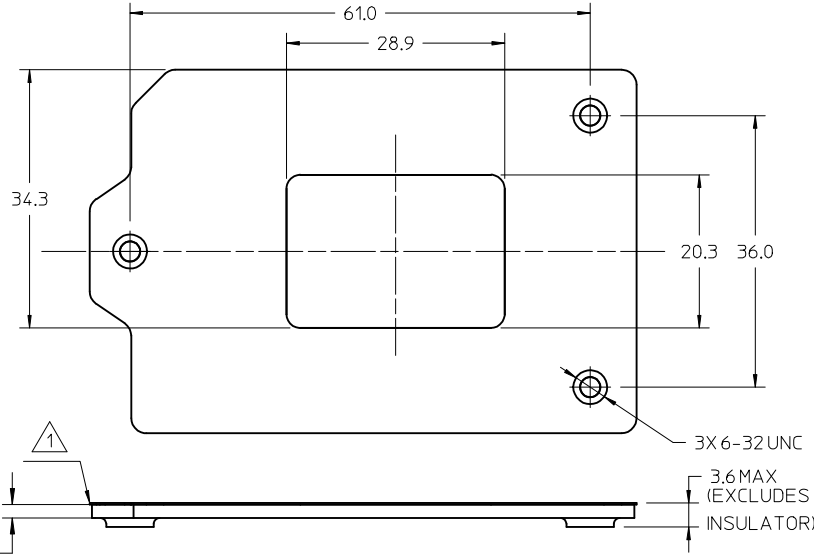
Email productcompliance@molex.com
 For a multiple part number RoHS Certificate of Compliance, [click here](#)

Please visit the [Contact Us](#) section for any non-product compliance questions.

Search Parts in this Series
[47596Series](#)

Mates With
 Intel* Nehalem Processor

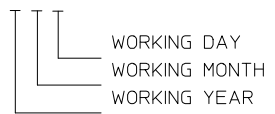
10 9 8 7 6 5 4 3 2 1



47596-8813	WITH HALOGEN FREE
47596-9913	WITHOUT HALOGEN FREE
PART NO.	DESCRIPTION

BILL OF MATERIAL			
ITEM NO	QTY	DESCRIPTION	MATERIAL
1	1	ILM BACK PLATE ASSEMBLY	
①	1	ILM BACK PLATE	STEEL WITH NICKEL PLATING
②	1	ILM BACK PLATE INSULATOR	POLYPROPYLENE SHEET

NOTES:
 ① INSULATOR OVERHANGS ALL EXTERNAL EDGES.
 ② INK PRINTED DATE CODE: * * *



3. 6-32 UNC MIN. 3MM THREAD DEPTH
 4. PART IS COMPLAINT TO RoHS DIRECTIVE 2002/95/EC AND ELV 2000/53/EC.

ENTER DESCRIPTION	2009/09/25	QUALITY SYMBOLS
EC NO: SH2010-0085	2009/09/25	$F=0$
DRWN: ZHANG11	2009/09/25	$F=0$
CHKD: CHYKD	2009/10/12	$F=0$
APPR: WFDENG		
REV	DESCRIPTION	
A		

GENERAL TOLERANCES (UNLESS SPECIFIED)	
	mm INCH
4 PLACES	\pm --- \pm ---
3 PLACES	\pm --- \pm ---
2 PLACES	\pm --- \pm ---
1 PLACE	\pm 0.25 \pm ---
ANGULAR \pm 2 °	
DRAFT WHERE APPLICABLE MUST REMAIN WITHIN DIMENSIONS	

DIMENSION STYLE MM ONLY		SCALE 2:1	DESIGN UNITS METRIC	THIRD ANGLE PROJECTION
DRAWN BY JGU007	DATE 2008/01/11	TITLE SOCKET 115X BACK PLATE ASSEMBLY		
CHECKED BY JKACHLIC	DATE 2008/01/11	APPROVED BY CL IANG		
MATERIAL NO. SEE TABLE		DOCUMENT NO. SD-47596-004		SHEET NO. 1 OF 1
SIZE A3 THIS DRAWING CONTAINS INFORMATION THAT IS PROPRIETARY TO MOLEX INCORPORATED AND SHOULD NOT BE USED WITHOUT WRITTEN PERMISSION				

9 8 7 6 5 4 3 2 1