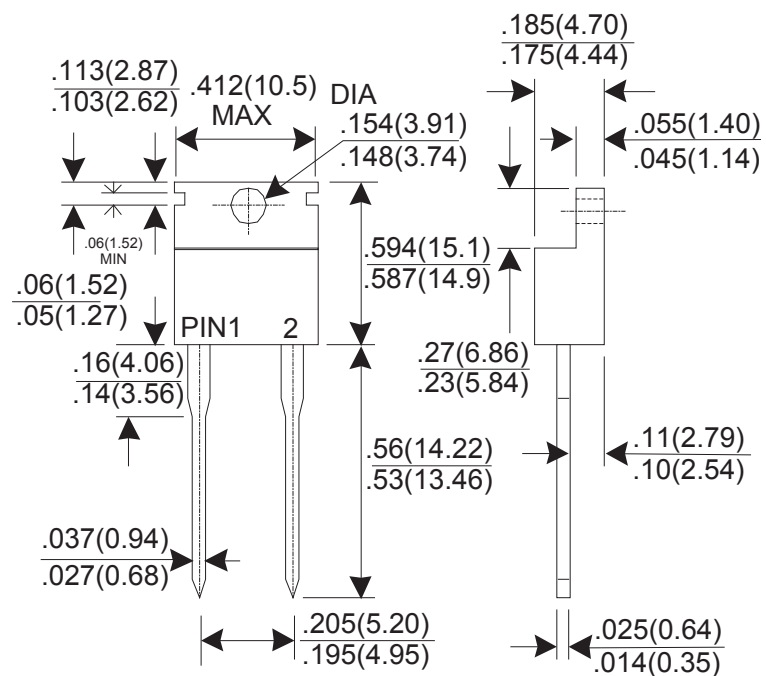
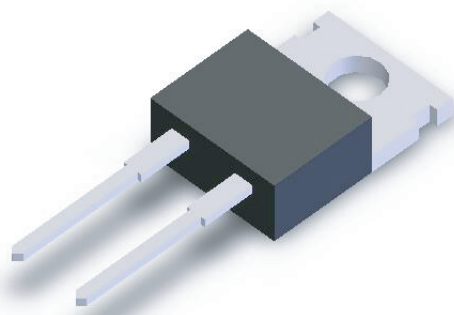


# TO-220AC



\*Dimensions in inches and (millimeters)